

everbit™

swissbit®

Product Data Sheet

Industrial USB Flash Drive

U-56n Series
USB 3.1 SuperSpeed, pSLC

Commercial and Industrial
Temperature Grade

Date: June 26, 2020
Revision: 1.01



Made in Germany

Contents

1. PRODUCT SUMMARY	3
2. PRODUCT FEATURES	4
3. ORDERING INFORMATION	5
4. PRODUCT DESCRIPTION	6
4.1 PERFORMANCE SPECIFICATIONS	7
4.2 CURRENT CONSUMPTION	7
4.3 ENVIRONMENTAL SPECIFICATIONS	8
4.4 REGULATORY COMPLIANCE	9
4.5 MECHANICAL SPECIFICATIONS	9
4.6 RELIABILITY AND ENDURANCE	10
4.7 DRIVE GEOMETRY SPECIFICATION	10
5. ELECTRICAL INTERFACE	11
6. ELECTRICAL SPECIFICATION	12
7. PACKAGE MECHANICAL	13
8. ATA PASS-THROUGH COMMANDS (IDENTIFY DEVICE AND S.M.A.R.T.)	14
8.1 ATA PASS-THROUGH COMMANDS	14
8.2 IDENTIFY DEVICE	14
8.3 S.M.A.R.T. COMMANDS	15
9. PART NUMBER DECODER	18
10. MARKING SPECIFICATION	20
11. REVISION HISTORY	21

U-56n Series – Industrial USB Flash Drive

4 GBytes up to 32 GBytes

1. Product Summary

- **Capacities:** 4 GBytes, 8 GBytes, 16 GBytes, 32 GBytes
- **Form Factor:** USB 3.1 solid state flash drive with USB Type-A connector (24.0 mm x 12.1 mm x 4.5 mm)
- **Compliance:** USB 3.1 Gen 1 SuperSpeed specification compatible (backward compliance with USB 2.0/1.1)
- **Performance:**
 - Read Performance: Sequential Read up to 197 MBytes/s, Random Read IOPS up to 3,850
 - Write Performance: Sequential Write up to 126 MBytes/s, Random Write IOPS up to 2,600
- **Operating Temperature Range¹:**
 - Commercial: 0 °C to 70 °C
 - Industrial: -40 °C to 85 °C
- **Storage Temperature Range:** -40 °C to 85 °C
- **Operating Voltage:** 5.0 V ± 10%
- **Data Retention:** 10 Years @ Life Begin; 1 Year @ Life End
- **Endurance in TeraBytes Written (TBW) @ Max Capacity:** 697 (seq. write 128KB); 42 (random write 4KB)
- **Shock/Vibration:** 1,500 *g* / 50 *g*
- **High-Performance 32-Bit Processor with Integrated, Parallel Flash Interface Engines:**
 - Multi-Level Cell (MLC) NAND Flash
 - Hardware BCH Code ECC (up to 40bit correction per 1024 Bytes)
- **High Reliability:**
 - Mean Time Between Failure (MTBF): > 3,000,000 hours @ 25°C
 - Data Reliability: < 1 non-recoverable error per 10¹⁶ bits read

¹ Adequate airflow is required to ensure the temperature, as reported in the S.M.A.R.T. data, does not exceed 115°C (industrial temperature drive) and 100°C (commercial temperature drive) respectively.

2. Product Features

- Page based Flash management with everbit™ technology for increased endurance & random performance
- Optimized FW algorithms especially for high read access and long data retention applications
 - Proven power fail management for highest reliability
 - Near Miss ECC technology
Minimize the risk of uncorrectable bit failure over the product life time. Each read command analyzes the ECC margin level and refreshes data if necessary.
 - Read Disturb Management
The read commands are monitored and the content is refreshed when critical levels have occurred.
 - Wear Leveling technology
Equal wear leveling of static and dynamic data. The wear leveling assures that dynamic data as well as static data is balanced evenly across the memory. This guarantees the maximum write endurance of the device.
 - Data Care Management
The interruptible background process controls the user data for read disturb effects or high temperature related retention degradation and refreshes data if necessary.
- Detailed S.M.A.R.T. support and extended vendor information
- LED for operation indication
- In-field firmware update
- 30 µinch gold-plated USB 3.0 Type-A connector contacts
- Swissbit Life Time Monitoring (SBLTM) tool and SDK for SBLTM (on request)
- Customized options like removable or fixed drive configuration, customer specified strings and IDs, FAT16, FAT32 or customer file system, preload service or customized logo on request



3. Ordering Information

Table 1: Standard Product List

Capacity	Temperature	
	Commercial	Industrial
	Part Number	Part Number
4 GBytes	SFU34096CxAE2T0-C-GE-1yP-STD	SFU34096CxAE2T0-I-GE-1yP-STD
8 GBytes	SFU3008GCxAE1T0-C-GE-1yP-STD	SFU3008GCxAE1T0-I-GE-1yP-STD
16 GBytes	SFU3016GCxAE2T0-C-GE-1yP-STD	SFU3016GCxAE2T0-I-GE-1yP-STD
32 GBytes	SFU3032GCxAE2T0-C-LF-1yP-STD	SFU3032GCxAE2T0-I-LF-1yP-STD

x = product generation and y = firmware revision

Table 2: Available Part Numbers

Capacity	Temperature	
	Commercial	Industrial
	Part Number	Part Number
4 GBytes	SFU34096C1AE2T0-C-GE-1AP-STD	SFU34096C1AE2T0-I-GE-1AP-STD
8 GBytes	SFU3008GC2AE1T0-C-GE-1AP-STD	SFU3008GC2AE1T0-I-GE-1AP-STD
16 GBytes	SFU3016GC2AE2T0-C-GE-1AP-STD	SFU3016GC2AE2T0-I-GE-1AP-STD
32 GBytes	SFU3032GC2AE2T0-C-LF-1AP-STD	SFU3032GC2AE2T0-I-LF-1AP-STD

4. Product Description

The Swissbit U-56n USB 3.1 USB flash drive provides a robust, high performance, and reliable storage product with industry compatible interface and small form factor. The U-56n pSLC technology both enables high NAND flash operation and excellent endurance. The use of page based Flash management and a global wear leveling extends the endurance to unprecedented values for USB products.

The U-56n product allows easy operation with USB3 or USB2 Type-A sockets.

For outdoor use or in poorly ventilated systems the U-56n is available in industrial temperature grade from -40°C to +85°C. Each individual industrial temperature grade drive is tested at these corners to verify the temperature resistance.

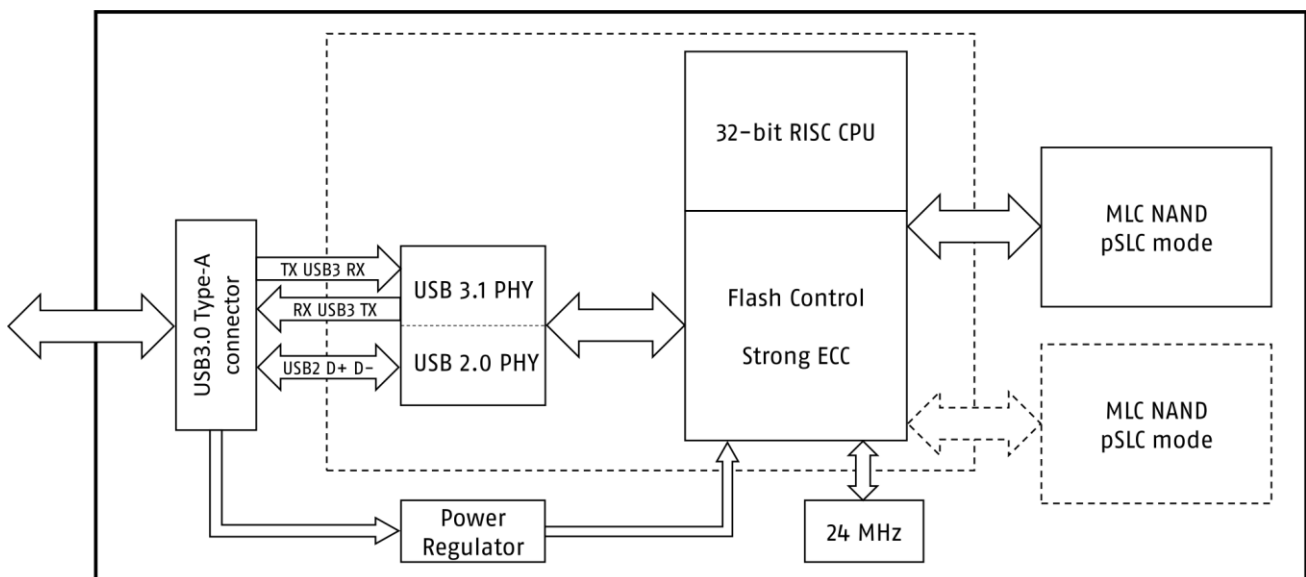
The U-56n firmware includes data care management features which refresh storage areas that are not or only infrequently read. At high temperature storage these areas are prone to retention loss. The firmware monitors the state of the NAND blocks and refreshes those that show a high level of degradation, thus preventing uncorrectable errors. This is an important feature for USB flash drives that are used as read only boot media.

The U-56n uses a high performance 32bit RISC USB controller to address different numbers of NAND dies. The U-56n 4, 16 and 32GB drives use two flash channels for best performance.

The U-56n operates at 5V nominal with ±10% tolerance.

It supports USB 3.1 Gen 1 SuperSpeed and is fully backwards compatible to USB 2.0/1.1 High/Full Speed.

Figure 1: U-56n Functional Block Diagram



4.1 Performance Specifications

The U-56n read/write sequential and random I/O performance benchmarks are detailed in the following Table 3.

Table 3: SuperSpeed Read/Write Performance²

Capacity	Sequential Read (MBPS)	Sequential Write (MBPS)	Random Read 4k (IOPS)	Random Write 4k (IOPS)
4 GBytes	175	68	3,800	1,550
8 GBytes	120	51	3,850	2,600
16 GBytes	179	88	3,800	1,350
32 GBytes	197	126	3,600	1,350

Table 4: High-Speed Read/Write Performance³

Capacity	Sequential Read (MBPS)	Sequential Write (MBPS)	Random Read 4k (IOPS)	Random Write 4k (IOPS)
4 GBytes	41	28	2,750	1,300
8 GBytes	41	35	2,300	1,950
16 GBytes	41	28	2,400	1,150
32 GBytes	41	28	2,400	1,150

4.2 Current Consumption

The drive-level current consumption as a function of operating mode is shown in the following Table 5.

Table 5: Typical Current Consumption for max transfer speed at 5V⁴

Drive Capacity	Sequential Read	Sequential Write	Random Read 4k	Random Write 4k	Idle	Unit
4 GBytes	151	129	103	107	84	mA
8 GBytes	103	96	78	83	64	
16 GBytes	114	109	76	82	64	
32 GBytes	126	135	79	87	64	

² The values are measured using CrystalDiskMark 5.5.0 x64 (CDM) in SuperSpeed mode (Seq Q1T1 and 4KiB Q32T1). Performance depends on flash type and number, file/cluster size, and burst speed.

³ The values are measured using CrystalDiskMark 6.0.0 x64 (CDM) in SuperSpeed mode (Seq Q1T1 and 4KiB Q32T1). Performance depends on flash type and number, file/cluster size, and burst speed.

⁴ All values are the typical recorded at 25 °C, with 5V supply voltage at fastest CrystalDiskMark 5.5.0 x64 (CDM) in SuperSpeed mode.

4.3 Environmental Specifications

4.3.1 Recommended Operating Conditions

The recommended operating conditions for the U-56n USB flash drives are provided in the following Table 6.

Table 6: Recommended Operating Conditions⁵

Parameter	Value
Commercial Operating Temperature	0 °C to 70 °C
Industrial Operating Temperature	-40 °C to 85 °C
Power Supply V _{CC} Voltage	5.0 V ± 10%

4.3.2 Recommended Storage Conditions

The recommended storage conditions are listed in the following Table 7.

Table 7: Recommended Storage Conditions

Parameter	Value
Commercial Storage Temperature	-40 °C to 85 °C ⁶
Industrial Storage Temperature	-40 °C to 85 °C ⁶

4.3.3 Shock, Vibration and Humidity

The maximum shock, vibration and humidity test conditions are listed in the following Table 8.

Table 8: Shock, Vibration and Humidity

Parameter	Value
Shock	1,500 g, 0.5 ms pulse duration, half-sine wave (IEC 60068-2-27, JESD22-B110)
Vibration	50 g, 20Hz – 2000Hz, 3 axes (IEC 60068-2-6, MIL-STD-883 H M2007.3)
Humidity (Non-Condensing)	85% RH 85 °C, 1000 hrs, max. supply voltage (JESD22-A101)

⁵ Adequate airflow is required to ensure the temperature, as reported in the S.M.A.R.T. data, does not exceed 115°C (industrial temperature drive) and 100°C (commercial temperature drive) respectively.

⁶ The retention at high temperature is reduced. The acceleration factor at 85°C compared with 40°C is 170, i.e. the initial endurance at 10 years@40°C is reduced to 22 days@85°C.

4.4 Regulatory Compliance

The U-56n devices comply with the standards listed in the following Table 9.

Table 9: Regulatory Compliance

Compliance	Country	Type	Standard(s)/Directive
CE	European Union	Compliance	2014/30/EU IEC 61000-4-3 EN 61000-6-2 :2005 EN 61000-4-2 :2008 EN 55032 :2015 CISPR 32 :2015
FCC	United States	Compliance	47 CFR Part 15, class B
RoHS	European Union	Compliance	2011/65/EU, 2015/863
WEEE	European Union	Compliance	2012/19/EU
REACH	European Union	Compliance	1907/2006

4.5 Mechanical Specifications

The U-56n uses a USB Type-A connector fully integrated into the metal housing. Physical dimensions and tolerances are detailed in the following Table 10. Figure 3 on page 13 illustrates the U-56n dimensions.

Table 10: Measured Physical Dimensions

Physical Dimensions		Unit
Length	24.00±0.2	mm
Width	12.10±0.10	
Thickness (Max)	4.50±0.10	
Weight (Max Capacity)	5	g

4.6 Reliability and Endurance

The Mean Time Between Failure (MTBF) is specified to exceed the value listed in the following Table 11. Data reliability with effective error tolerance and data retention at the beginning and end of life is also provided.

Table 11: Reliability

Parameter	Value
MTBF (at 25 °C)	> 3,000,000 hours
Data Reliability	< 1 Non-Recoverable Error per 10 ¹⁶ Bits Read
Data Retention (up to 40°C)	10 Years at Start (JESD47), 1 Year at EOL

Endurance represented as TeraBytes Written (TBW) is provided in the following Table 12.

Table 12: Endurance⁷

Drive Capacity	TeraBytes Written (TBW) @ Seq. Write 128kB Operation ⁸	TeraBytes Written (TBW) @ Random Write 128kB Operation ⁸	TeraBytes Written (TBW) @ Random Write 4kB Operation ⁸
4 GBytes	87.2	24.9	5.3
8 GBytes	175.3	54.6	26.6
16 GBytes	347.7	91.5	19.7
32 GBytes	697.2	170.3	41.9

4.7 Drive Geometry Specification

Table 13: Drive Geometry

Raw Capacity	Total LBA	User Addressable Bytes
	Decimal	(Unformatted)
4 GBytes	7,843,328	4,015,783,936
8 GBytes	15,663,104	8,019,509,248
16 GBytes	31,326,208	16,039,018,496
32 GBytes	62,533,296	32,017,047,552

⁷ The Endurance values depend strongly on the use case, the preconditioning, the operation sequence, use of trim commands and usage level of the flash drive. The given values are for orientation only.

⁸ Sequential write 128kB simulates a continuous stream recording on a drive which has been preconditioned with a sequential write of the complete drive, Random Write 128KB or 4KB represent data logging applications with large or small block sizes.

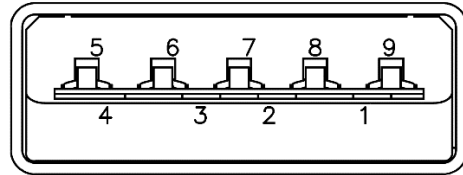
5. Electrical Interface

- USB3 Type-A connector, 9pin
- USB 3.1 Gen1 SuperSpeed interface, USB2.0 high-speed and 1.1 full-speed compatible

Table 14: Electrical pinout from device and host view.

Pin	Signal device view	Signal host view	Description host view
1	V_Bus	V_Bus	Operating voltage
2	D-	D-	Data signal pair
3	D+	D+	Data signal pair
4	GND	GND	Power Ground
5	SSTX-	SSRX-	Host receive -
6	SSTX+	SSRX+	Host receive +
7	GND	GND	Signal Ground
8	SSRX-	SSTX-	Host transmit -
9	SSRX+	SSTX+	Host transmit +
Shield			Connector shield

Figure 2: USB3 Type-A connector pinout



6. Electrical Specification

Table 15: Absolute Maximum Ratings

Parameter	Symbol	Min	Max	Unit
Power Supply Voltage	V_Bus	-0.5	6.0	V
Voltage at D+ and D-	V_Data	-0.5	5.0	
Voltage at USB3 pins	V_Data	-0.5	1.8	
Commercial Operating Temperature	T_A	0	70	°C
Industrial Operating Temperature		-40	85	

Table 16: DC characteristics for SuperSpeed operation (T=25°C, V_Bus=5V)

Parameter	Symbol	Density	Min	Typ	Max	Unit
Supply Voltage	V_Bus	all	4.5	5.0	5.50	V
Write current	I_WR	4GB		129	150	mA
		8GB		96	120	
		16GB		109	130	
		32GB		135	150	
Read current	I_RD	4GB		151	180	
		8GB		103	120	
		16GB		114	140	
		32GB		126	150	
Idle current	I_IDL	4GB		88 ⁹	95	
		8/16/32GB		64 ⁹	75	
Suspend current	I_CCS	all		1.8	2.5	

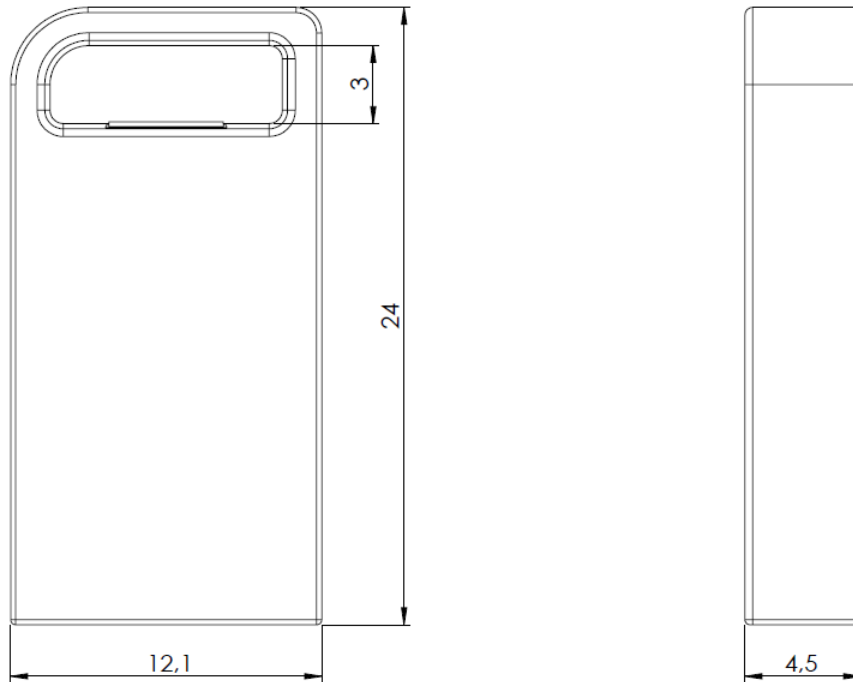
Table 17: DC characteristics for High-Speed operation (T=25°C, V_Bus=5V)

Parameter	Symbol	Density	Min	Typ	Max	Unit
Supply Voltage	V_Bus	all	4.5	5.0	5.50	V
Write current	I_WR	4GB		68	85	mA
		8GB		61	75	
		16GB		59	75	
		32GB		62	75	
Read current	I_RD	4GB		74	90	
		8GB		59	70	
		16GB		54	75	
		32GB		59	70	
Idle current	I_IDL	4GB		42 ⁹	55	
		8/16/32GB		32 ⁹	40	
Suspend current	I_CCS	all		1.8	2.5	
High Speed Idle Level	V_HSOI	all	-10		10	mV
High Speed Data Signaling LOW	V_HSOL	all	-10		10	
High Speed Data Signaling HIGH	V_HSOH	all	360		440	
Chirp J Level (differential)	V_CHIRPJ	all	360		440	
Chirp K Level (differential)	V_CHIRPK	all	-440		-360	

⁹ Typically 5 minutes after power on the device performs a background data care management, that needs up to 180mA

7. Package Mechanical

Figure 3: Mechanical Dimensions in mm for U-56n



All dimensions are in millimeters, tolerances as listed in Table 10 on page 9.

8. ATA Pass-Through commands (Identify Device and S.M.A.R.T.)

8.1 ATA Pass-Through commands

Additional to the standard SCSI commands the device also supports the ATA Pass-Through commands.

Table 18: ATA PASS-TRHOUGH(x) commands

SCSI command	OpCode	Description
ATA PASS-THROUGH(12)	A1h	Write and read ATA registers to send commands and read information
ATA PASS-THROUGH(16)	85h	

<http://www.t10.org/ftp/t10/document.04/04-262r8.pdf>

Table 19: ATA register addressing

Offset address	Input	Output	Type	Identify device	e.g. SMART commands
0	Data		Word		
1	Feature	Error	Byte	xx	yyh*
2	Sector count		Byte	xx	01h
3	LBA_Low		Byte	xx	xx
4	LBA_Mid		Byte	xx	4Fh
5	LBA_High		Byte	xx	C2h
6	Drive/head		Byte	Eoh	Eoh
7	Command	Status	Byte	ECh	Boh

* see below

8.2 Identify Device

The Identify Device returns a identify sector compatible to ATA and SATA devices. Here an example of the interpretation of this sector.

Table 20: Identify Device Information

Word(s)	Default Value		Total Bytes	Data Field Type Information
0	0040h		2	Standard Configuration Fixed (optional 848Ah for removable)
...
10-19	aaaa*		20	Serial number in ASCII (right-justified)
...
23-26	XXXX*		8	Firmware revision in ASCII (big-endian byte order in Word)
27-46	XXXX*		40	Model number in ASCII (right-justified)
...
60-61	XXXXh		4	Total number of sectors addressable in LBA mode
...
82	0101h 7701h* 4063h*		2	Command set: SMART feature set, service interrupt
...
85	000Xh 0701h* 4063h*		2	Command set enabled: SMART feature set enabled/disabled
...
255	XXA5h		2	Integrity Word

* Values depend on device configuration.

8.3 S.M.A.R.T. commands

The intent of the SMART command feature set is to protect user data and minimize the likelihood of unscheduled system downtime that may be caused by predictable degradation and/or fault of the device. By monitoring and storing critical performance and calibration parameters, SMART feature set devices attempt to predict the likelihood of a near-term degradation or fault condition. Providing the host system the knowledge of a negative reliability condition allows the host system to warn the user of the impending risk of a data loss and advise the user of the appropriate action.

All S.M.A.R.T. commands have the command code Boh. The different commands are selected by the Feature register.

Table 21: S.M.A.R.T. Features Supported

Operation	Feature	Sect Count	LBA low	LBA mid	LBA high	DRV head	Command
S.M.A.R.T. Read Data	D0h	01h	xx	4Fh	C2h	E0h	Boh
S.M.A.R.T. Read Attribute Thresholds	D1h	01h	xx	4Fh	C2h	E0h	Boh
S.M.A.R.T. Enable Operations	D8h	xx	xx	4Fh	C2h	E0h	Boh
S.M.A.R.T. Disable Operations	D9h	xx	xx	4Fh	C2h	E0h	Boh
S.M.A.R.T. Return Status	DAh	xx	xx	4Fh	C2h	E0h	Boh

All commands are aborted, if the LBA signature is invalid.

8.3.1 S.M.A.R.T. Read Data (Doh)

When the drive receives the S.M.A.R.T. Read Data subcommand, it returns one sector (512 bytes) of data. See the following table for the data structure of this sector.

Table 22: S.M.A.R.T. Data Structure

Byte(s)	Value	Description
0-1	0010h	S.M.A.R.T. structure version
2-361	XXh	Attribute entries 1 to 30 (see Table 23)
362	00h	Off-line data collection status (no off-line data collection started)
363	00h	Self-test execution status byte (self-test completed)
364-365	0000h	Total time, in seconds, to complete off-line data collection
366	00h	Vendor specific
367	00h	Off-line data collection capability (no off-line data collection)
368-369	0003h	S.M.A.R.T. capabilities
370	00h	No Error logging capability
371	00h	Vendor specific
372	00h	Short self-test routine recommended polling time, in minutes
373	00h	Extended self-test routine recommended polling time, in minutes
374-385	00h	Reserved
386-387	0004h	SMART Version
388-510	XXh	Vendor specific
511	XXh	Data structure checksum

8.3.2 S.M.A.R.T. Attribute Entry Structure

Each attribute entry (Bytes 2–361) consists of 12 bytes. See the following table for the data structure of each entry.

Table 23: Attribute Entry

Offset Byte(s)	Value	Description
0	XXh	Attribute ID (see Table 24)
1–2	XXXXh	Flags (little-endian) Bit0: Advisory (0) or Prefailure (1) Bit1: Not used (0) or updated during normal operation (1)
3	XXh	Current value as a percentage 64h = 100%
4	XXh	Worst value as a percentage 64h = 100%
5–10	XXXXh	Raw value (little-endian)
11	00h	Reserved

8.3.3 S.M.A.R.T. Attributes

The drives support the S.M.A.R.T. attributes listed in the following table.

The Threshold values can be read out with the S.M.A.R.T. Read Attribute Thresholds command (D1h)

The first attributes (196, 213, 229) are “Pre-Fail” type, while all other are Advisory (Old Age).

Table 24: S.M.A.R.T. Attributes

ID dec	ID hex	Value	Worst	Thres-hold	Attribute	Description	RAW values Offset 5–10
196	C4h	X%	X%	25	Spare Block Count	Number of total available NAND spare blocks	Initial (offset 5–7) and current (offset 8–10) number of spare blocks
213	D5h	X%	X%	25	Spare Block Count worst channel	Spare block count for the NAND with the lowest number of remaining spare blocks	Initial (offset 5–7) and current (offset 8–10) number of spare blocks of the channel with the lowest current number of spare blocks
229	E5h	X%	X%	2	Total Erase Count	Estimated number of total NAND block erases	Estimated number of total NAND block erases
203	CBh	100	100	0	Total ECC Errors	All recorded ECC errors	Total number of ECC errors (correctable and uncorrectable) (offset 5–8)
204	CCh	100	100	0	Correctable ECC Errors	Total recorded ECC errors that were corrected during the life of the drive	Total number of correctable ECC errors (offset 5–8)
199	C7h	100	100	0	UDMA CRC Errors	Dummy attribute, included for legacy reasons	This value is fixed at 0.
232	E8h	100	100	0	Total Number of Reads	Total number of NAND READ commands	Total number of NAND READ commands
12	0Ch	100	100	0	Power-On Count	Count of power-on events	Number of power cycles (offset 5–8)
241	F1h	100	100	0	Total LBAs Written	Total amount of data written to the drive	Total number of LBAs written to the disk, divided by 65536
242	F2h	100	100	0	Total LBAs Read	Total amount of data read from the drive	Total number of LBAs read from the disk, divided by 65536
214	D6h	100	100	0	Management Block status	Total number of times the management block has been updated	Management block write count (offset 5–8)
194	C2h	X°C	Max °C	0	Temperature Status	Device temperature in Celsius (°C)	Current (offset 5) / Min (offset 6) / Max temperature (offset 7)

8.3.4 S.M.A.R.T. Read Attribute Thresholds (D1h)

When the drive receives the S.M.A.R.T. Read Attribute Thresholds subcommand, it returns one sector (512 bytes) of data similar as S.M.A.R.T. Read data sector, but with the threshold value in offset 1 of each attribute (see Table 24).

8.3.5 S.M.A.R.T. Enable Operations (D8h)

This command enables access to the S.M.A.R.T. capabilities of the drive. The state of SMART (enabled or disabled) is preserved across power cycles.

8.3.6 S.M.A.R.T. Disable Operations (D9h)

This command disables access to the S.M.A.R.T. capabilities of the drive. The state of SMART (enabled or disabled) is preserved across power cycles.

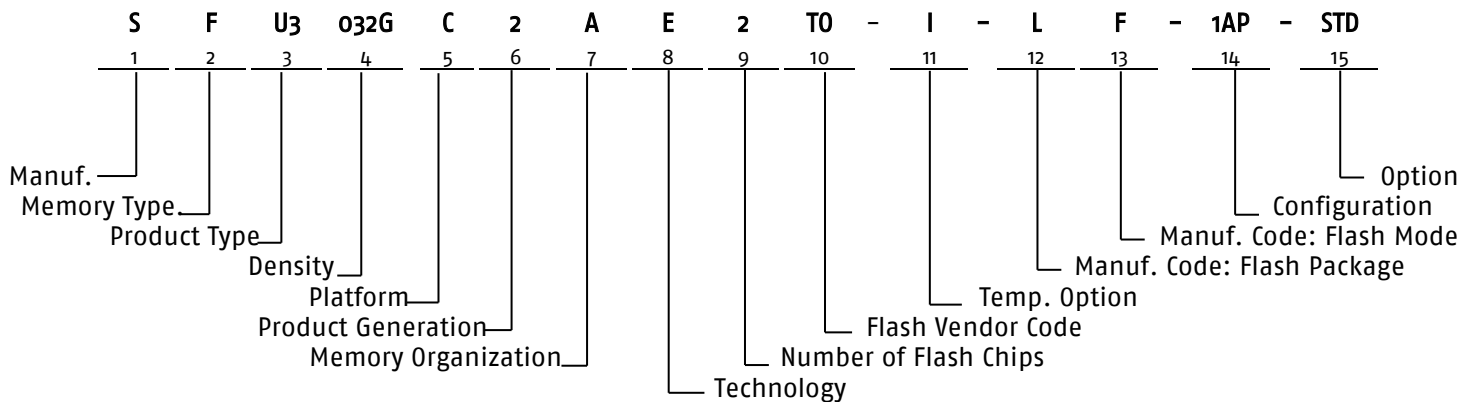
8.3.7 S.M.A.R.T. Return Status (DAh)

Table 25: S.M.A.R.T. Return Status

Operation	Feature	Sect Count	LBA low	LBA mid	LBA high	DRV head	Command
Command S.M.A.R.T. Return Status	DAh	xx	xx	4Fh	C2h	E0h	B0h
Response							
S.M.A.R.T. Return Status OK	xx	xx	xx	4Fh	C2h	xx	xx
S.M.A.R.T. Return Status Pre-FAIL*	xx	xx	xx	F4h	2Ch	xx	xx

* If a threshold exceeded condition exists for either the Spare Block Count Worst Channel attribute or the Erase Count attribute, the device will set the Cylinder Low register to F4h and the Cylinder High register to 2Ch. In this case the drive should be replaced soon.

9. Part Number Decoder



9.1 Manufacturer

Swissbit code	S
---------------	---

9.2 Memory Type

Flash	F
-------	---

9.3 Product Type

USB 3.1 Flash Drive	U3
---------------------	----

9.4 Density

4 GBytes	4096
8 GBytes	008G
16 GBytes	016G
32 GBytes	032G

9.5 Platform

USB COB Inlay	C
---------------	---

9.6 Product Generation

First generation	1
Second generation	2

9.7 Memory Organization

x8	A
----	---

9.8 Technology

U-5xx platform UFD	E
--------------------	---

9.9 Number of Flash Chips

1 Flash	1
2 Flash	2
4 Flash	4

9.10 Flash Code

Toshiba / Kioxia	TO
------------------	----

9.11 Temperature Option

Industrial Temperature Range: -40 °C to 85 °C	I
Standard Temperature Range: 0 °C to 70 °C	C

9.12 Die Classification

MLC MONO (single die package)	G
MLC DDP (dual die package)	L
MLC QDP (quad die package)	H

9.13 Pin Mode

Single nCE and Single R/nB	E
Dual nCE and Dual R/nB	F
Quad nCE and Quad R/nB	G

9.14 Configuration XYZ

X = Configuration

Configuration	X
Removable	1

Y = Firmware Revision

FW Revision	Y
everbit™ Revision 1	A

Z = Optional setting

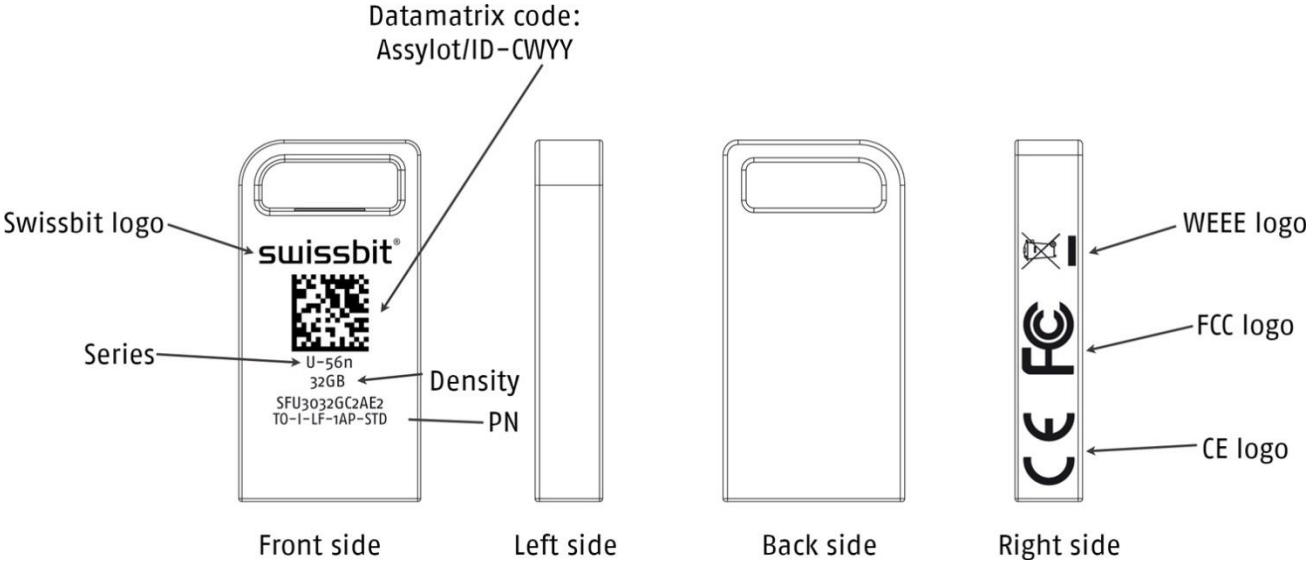
Optional Setting	Z
Default (MLC)	1
pSLC (pseudo SLC)	P

9.15 Option

Swissbit / Standard	STD
Customized version	XXX

10. Marking Specification

Figure 4: U-56n product marking



11.Revision History

Table 26: Document Revision History

Date	Revision	Description	Revision Details
11-Feb-2019	00	Initial preliminary release.	Doc. req. no. 2751
29-Mar-2019	1.00	Initial release.	Doc. req. no. 2851
26-Jun-2020	1.01	Added new product variant P/Ns for 8GB–32GB and related characterization data; minor changes; updated part number decoder.	Doc. req. no. 3885

Disclaimer:

No part of this document may be copied or reproduced in any form or by any means, or transferred to any third party, without the prior written consent of an authorized representative of Swissbit AG ("SWISSBIT"). The information in this document is subject to change without notice. SWISSBIT assumes no responsibility for any errors or omissions that may appear in this document and disclaims responsibility for any consequences resulting from the use of the information set forth herein. SWISSBIT makes no commitments to update or to keep current information contained in this document. The products listed in this document are not suitable for use in applications such as, but not limited to, aircraft control systems, aerospace equipment, submarine cables, nuclear reactor control systems and life support systems. Moreover, SWISSBIT does not recommend or approve the use of any of its products in life support devices or systems or in any application where failure could result in injury or death. If a customer wishes to use SWISSBIT products in applications not intended by SWISSBIT, said customer must contact an authorized SWISSBIT representative to determine SWISSBIT willingness to support a given application. The information set forth in this document does not convey any license under the copyrights, patent rights, trademarks or other intellectual property rights claimed and owned by SWISSBIT. The information set forth in this document is considered to be "Proprietary" and "Confidential" property owned by SWISSBIT.

ALL PRODUCTS SOLD BY SWISSBIT ARE COVERED BY THE PROVISIONS APPEARING IN SWISSBIT'S TERMS AND CONDITIONS OF SALE ONLY, INCLUDING THE LIMITATIONS OF LIABILITY, WARRANTY AND INFRINGEMENT PROVISIONS. SWISSBIT MAKES NO WARRANTIES OF ANY KIND, EXPRESS, STATUTORY, IMPLIED OR OTHERWISE, REGARDING INFORMATION SET FORTH HEREIN OR REGARDING THE FREEDOM OF THE DESCRIBED PRODUCTS FROM INTELLECTUAL PROPERTY INFRINGEMENT AND EXPRESSLY DISCLAIMS ANY SUCH WARRANTIES INCLUDING WITHOUT LIMITATION ANY EXPRESS, STATUTORY OR IMPLIED WARRANTIES OF MERCHANTABILITY OR FITNESS FOR A PARTICULAR PURPOSE.

© 2020 SWISSBIT AG All rights reserved.