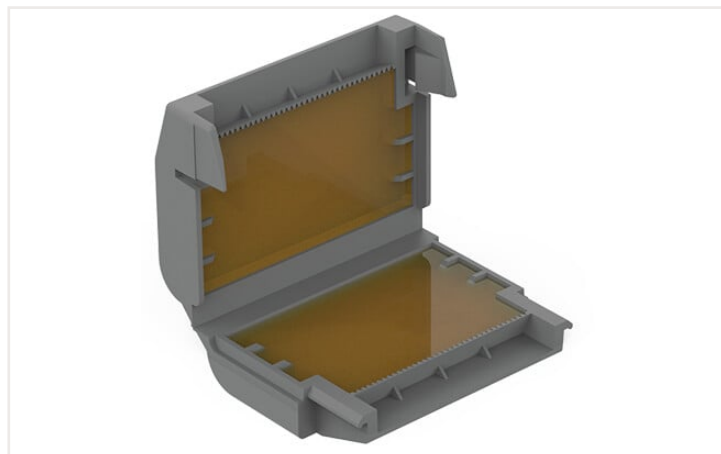


Data Sheet | Item Number: 207-1432

Gelbox; Branch; for cables; with gel; 221 Series; max. 6 mm² connectors; without splicing connectors; Size 2; gray

<https://www.wago.com/207-1432>



Color: gray

Note on Packaging Unit (PU) and Subpackaging Unit (SPU):

If you order a full PU, you will receive our eco-friendly, sustainable cardboard blisters packed in a shelf-ready box.

If you order a quantity smaller than a full PU, you will receive the eco-friendly, sustainable cardboard blisters without a shelf-ready box.

Please refer to the system description for the splicing connectors that can be used.

Your benefits:

- Easy, fast and safe to use
- Can be used immediately and accessed again later
- Silicon-free
- Label-free
- Suitable for indefinite storage
- The complete system consisting of WAGO's gelboxes and splicing connectors has been VDE-tested and IPX8-certified.

Connection data

Connection 1

Actuation type	Locking system
----------------	----------------

Physical data

Width	40.1 mm / 1.579 inches
Height	21.3 mm / 0.839 inches
Depth	49.4 mm / 1.945 inches

Mechanical Data

Mounting type	Flying leads
---------------	--------------

Material Data

Note (material data)

[Information on material specifications can be found here](#)

Color	gray
Housing material	Polypropylene
Fire load	0 MJ
Weight	25.5 g

Environmental requirements

Ambient temperature (operation)	-55 ... +85 °C
Surrounding air temperature (storage)	0 ... +40 °C

Commercial data

ETIM 8.0	EC001170
ETIM 7.0	EC001170
PU (SPU)	36 (3) pcs
Country of origin	IT
GTIN	4055144097290
Customs tariff number	85389099990

Approvals / Certificates

General approvals



Approval	Standard	Certificate Name
VDE VDE Prüf- und Zertifizierungsinstitut	EN 60669	400051938

Downloads

Environmental Product Compliance



Compliance Search

Environmental Product
Compliance 207-1432




Documentation

System Description

System Description 207 Series Gel boxes	pdf 1156.45 KB	
System Description 207 Series Gel boxes	pdf 1191.37 KB	

Additional Information

Technical Section	pdf 2142.18 KB	
-------------------	-------------------	---

Bid Text

207-1432	xml 3.58 KB	↓
207-1432	docx 20.44 KB	↓

CAD/CAE-Data

CAD data

2D/3D Models 207-1432	↓
--------------------------	---

Installation Notes

Installation

