

## Blue Line Lasermodule

LE405-10-5-F(14x60)

Order Number: 70112740

Main Parameters (*)	min	typ	max	Unit
Wavelength		405		nm
Optical Output Power		10		mW
Operating Voltage	4.5	5	5.5	V DC
Operating Current	40	61	80	mA
Operating Temperature	-10		50	°C
Storage Temperature	-40		70	°C

### Optical Parameters

Beam Shape	Line
Laser Class	1
Divergence	0.6mrad
Fan Angle	90°
Line Thickness	adjustable
Operating Distance	5m
Optics	glass lens AR coated
Laser technology	Single Mode Diode
Focus	adjustable

### Technical Parameters

Lifetime	>5000h
RoHS	yes

### Electrical Parameters

Potential of Housing	isolated
Power Supply	LFNT-5

### Mechanical Parameters

Size	Ø14x60mm
Material	aluminium
Cable length	100mm
Wire type	Belden, Typ 1007, 26AWG
Output Aperture	5mm
Housing Color	black
Weight	18g
Stripping of wire	5mm

(\*) Over the complete operating temperature range



### Features

- Operating Voltage 5V DC
- Laser Class 1
- Adjustable focus
- Low power consumption
- Compact size

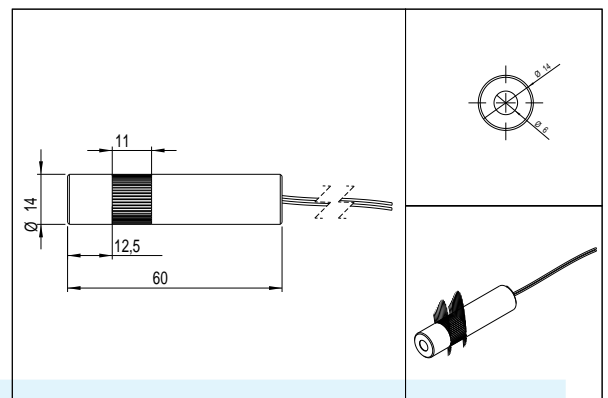
### Picture



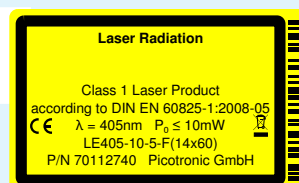
### Cable Colors

Ground		black	GND
Positive		red	4.5 - 5.5, typ 5V DC

### Drawing



### Safety Label



### Revision

REV 7 | 04-AUG-2014