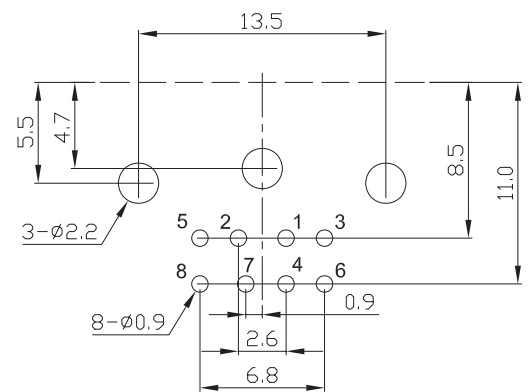
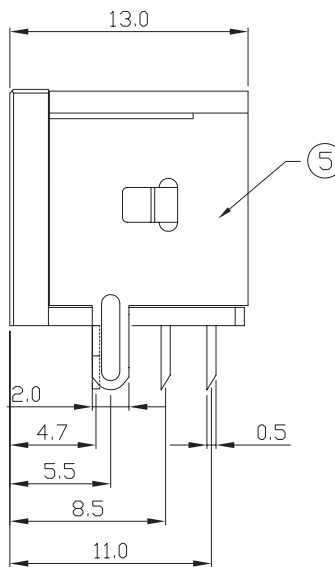
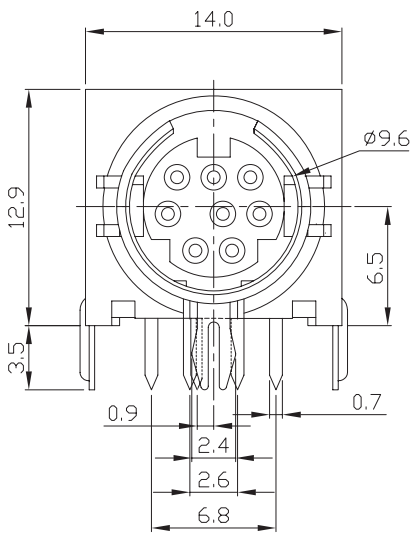


No	Part Name	Qty.	Material	Plated	Colour
1	Housing	1	PBT		Black
2	Contact Term.	8	P.B.S T:0.2	Gold - Tin	
3	Ground Term.	1	Brass T:0.4	Tin	
4	Bottom Cover	1	PBT		Black
5	Shell	1	SPCC T:0.3	Nickel	



PCB LAYOUT  
(BOTTOM VIEW)

