

cyl. M12
 Sn = 10 mm
 DC 3-Wire
 unshielded

Common Data

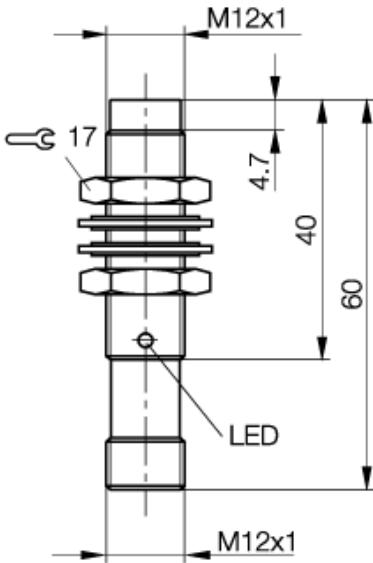
| | | |
|-------------------------------|----|------------|
| Mounting | | unshielded |
| Rated operating distance Sn | mm | 10,0 |
| Assured operating distance Sa | mm | 0...8.1 |
| Repeatability | % | <= 5 |
| Function indication | | yes |
| Ambient temperature range | °C | -25...+70 |

Mechanical Data

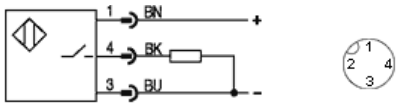
| | | |
|---------------------------|----|--------------------|
| Housing size | mm | cyl. M12 |
| Measurements BxHxT or DxT | mm | M12x1 x 60 |
| Housing material | | CuZn chrome plated |
| Material of sensing face | | PBT |
| Degree of protection | | IP67 |
| Connection | | Connector S4 |

Electrical Data

| | | |
|-------------------------------------|----|---------------|
| Current type | | DC |
| Wiring | | 3-Wire |
| switching function | | normally-open |
| Output signal | | PNP |
| Rated operational voltage | V | 24 DC |
| Rated operational current | mA | 200 |
| Supply voltage | V | 10...30 DC |
| Rated supply frequency | Hz | 400 |
| No-load supply current | mA | <= 10 |
| Off-state current | µA | <= 100 |
| Voltage drop | V | <= 2 |
| Short circuit protection | | yes |
| Protected against polarity reversal | | yes |

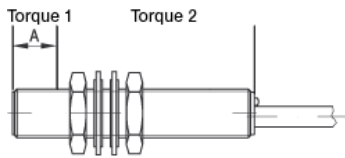


PX1485



Utilization categories DC 13

■ Tightening torque:



Torque 1 Nm 10

If only torque1 is indicated,
 this applies to entire thread

If not differently indicated,
 all values by IEC 60947-5-2 (DIN EN60947-5-2)
 Specifications subject to change

Balluff GmbH
 Postfach 1160
 73761 Neuhausen
 Telefon (07158) 173-0
 Telefax (07158) 5010

11.08.2004 / Online-Information