

High-feed milling cutter

For indexable milling inserts: XCNT 120520..

ATORN®

Application

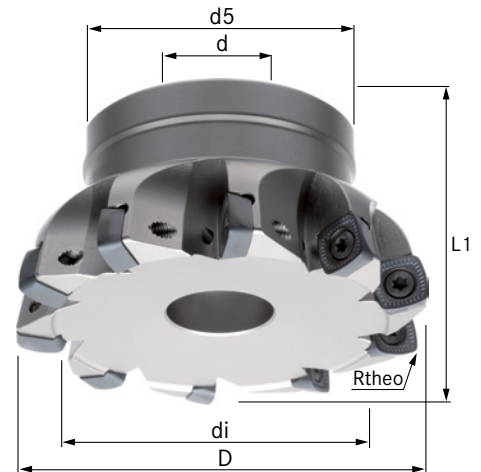
Dramatically increase your productivity and make great cost-savings – with the high-feed milling cutters. The unique cutting geometries provide extremely smooth running and low cutting forces at maximum feed rates. Our extensive program offers solutions for a wide range of applications in modern machine tools, whether in die and mould making or in general mechanical engineering.

Version

- Wear-resistant, nickel-plated version
- Robust supports
- With internal cooling
- Variable pitch
- Tightening torque (indexable insert) M3.5 = 3.5 Nm

Advantage

- Broad range of application
- Minimum-vibration milling even for long mounting lengths
- Optimum roughing tool
- Tooth feed possible up to 3 mm
- Reduces production times



Art. No.	16026 267
Max. cutting edge diameter	100 mm
Min. cutting edge diameter	81.2 mm
Length	50 mm
Bore diameter	32 mm
Radius, theoretical	3.5 mm
max. ap	1.9 mm
Number of cutting edges	10 PCS
Suitable indexable insert no.	3

EAN-Code

4050293348699