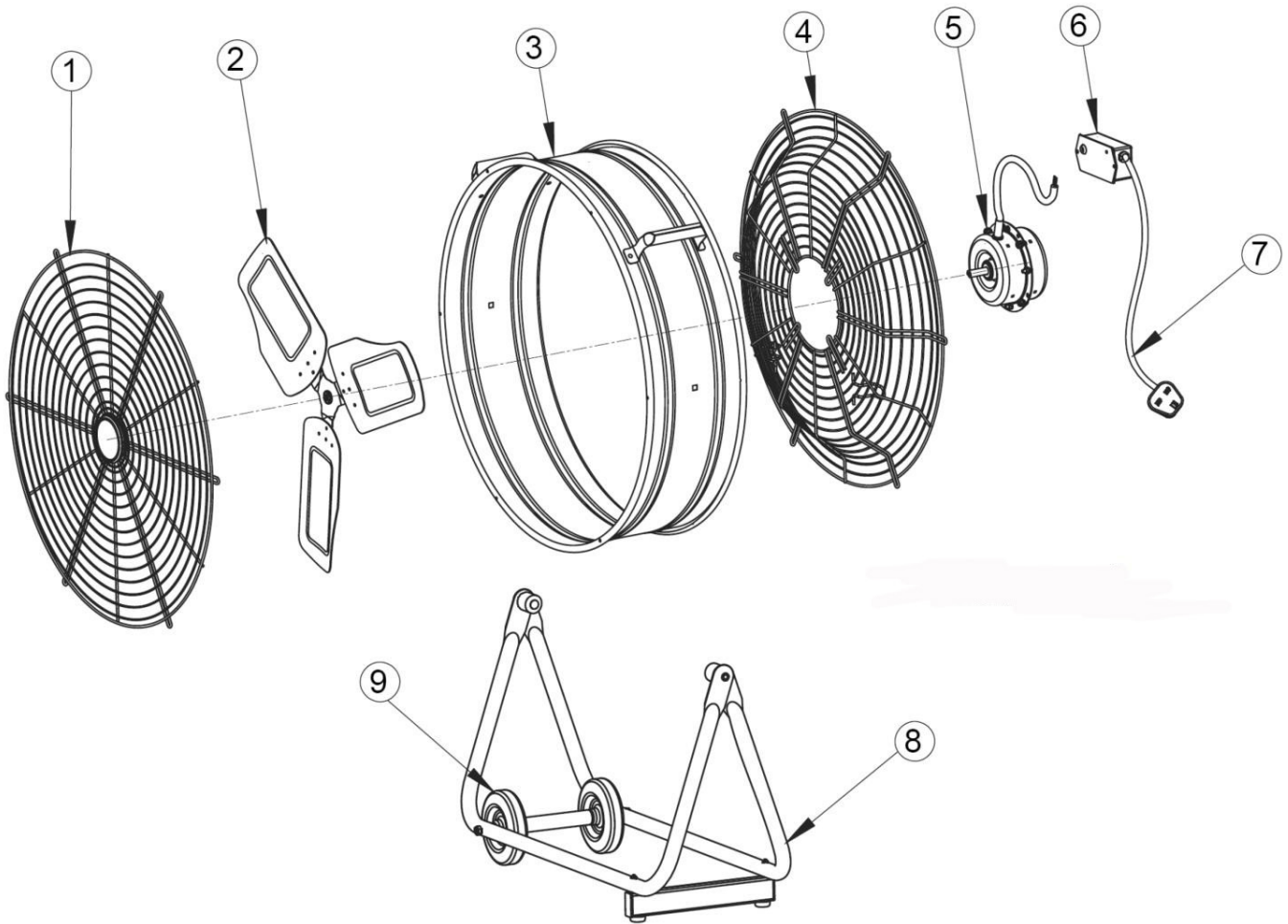


Parts Information:  
**Industrial High Velocity Drum Fan 30"**  
**230V**  
**Model No: HVD30.V2**



Item	Part No.	Description
1	HVD30.V2-01	FRONT GUARD
2	HVD30.V2-02	FAN 30"
3	HVD30.V2-03	DRUM
4	HVD30.V2-04	REAR GUARD
5	HVD30.V2-05	MOTOR
6	HVD30.V2-06	CONTROL BOX

Item	Part No.	Description
7	MC3CX0.75	MAINS CABLE BLK, 3 CORE, 0.75 MM2
8	HVD30.V2-08	BASE
9	HVD30.V2-09	WHEEL, FIXED (245x20x51)
--	HVD36.V2-10	SWITCH COMPLETE (BOX, SWITCH AND WIRES) (NOT SHOWN)
--	HVD36.V2-06	CONTROL BOX COVER ONLY (NOT SHOWN)

**NOTE:** It is our policy to continually improve products and as such we reserve the right to alter data, specifications and component parts without prior notice.

**IMPORTANT:** No liability is accepted for incorrect use of product.

**WARRANTY:** Guarantee is 12 months from purchase date, proof of which will be required for any claim.