

# Glass Passivated Bridge Rectifier

**multicomp** PRO



## Features

- Surge overload rating -150 amperes peak
- Low forward voltage drop
- Small size; simple installation
- Silver plated copper leads

## Mechanical Data

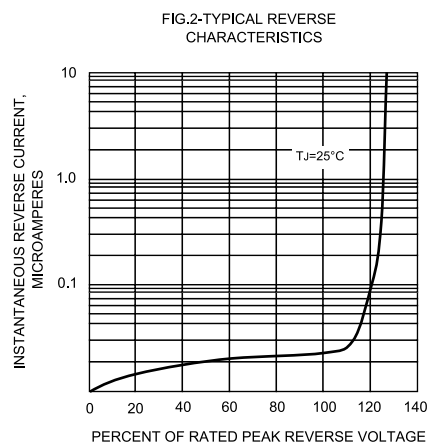
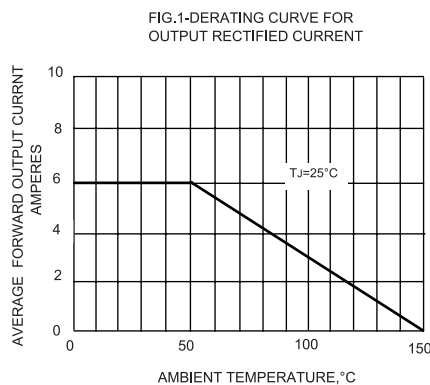
Mounting Position : Any  
Reverse Voltage : 50 to 600 Volts  
Forward Current : 6 Ampere

## Maximum Ratings and Electrical Characteristics:

Rating at 25°C ambient temperature unless otherwise specified.  
Single phase, half wave, 60Hz, resistive or inductive load.  
For capacitive load, derate current by 20%.

Characteristics	Symbol	MP6005G	MP601G	MP602G	MP606G	Unit
Max. Recurrent Peak Reverse Voltage	$V_{RRM}$	50	100	200	600	V
Max. RMS Bridge Input Voltage	$V_{RMS}$	35	70	140	420	V
Max. Average Forward Rectified Output Current at @ $T_A = 50^\circ\text{C}$	$I_{(AV)}$	6				A
Peak Forward Surge Current 8.3ms Single Half Sine-Wave Super Imposed on Rated Load	$I_{FSM}$	150				A
Max. Forward Voltage Drop Per Bridge Element at 3.0A Peak	$V_F$	1.1				V
Max. Reverse Current at Rated DC Blocking Voltage Per Element	$I_R$	10 1				$\mu\text{A}$ mA
Operating Temperature Range	$T_J$	-55 to +150				$^\circ\text{C}$
Storage Temperature Range	$T_{STG}$					$^\circ\text{C}$

## Ratings and Characteristic Curves



Newark.com/multicomp-pro  
Farnell.com/multicomp-pro  
Element14.com/multicomp-pro

**multicomp** PRO

# Glass Passivated Bridge Rectifier

FIG.3-MAXIMUM FORWARD SURNGE CURRENT

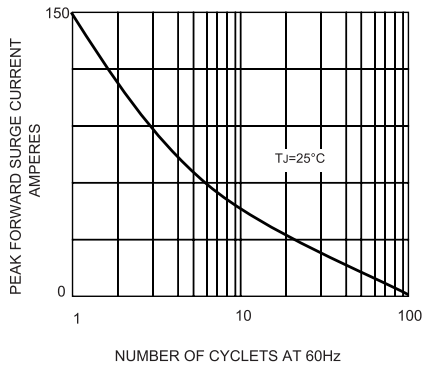
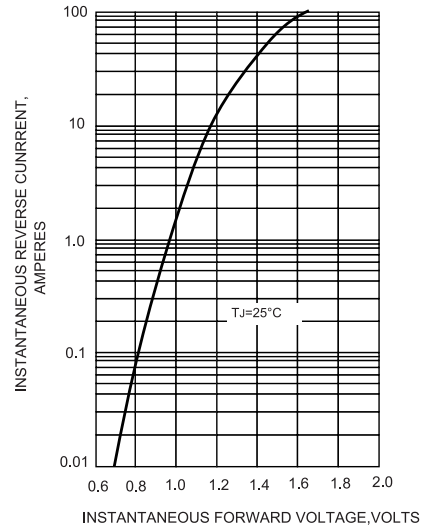
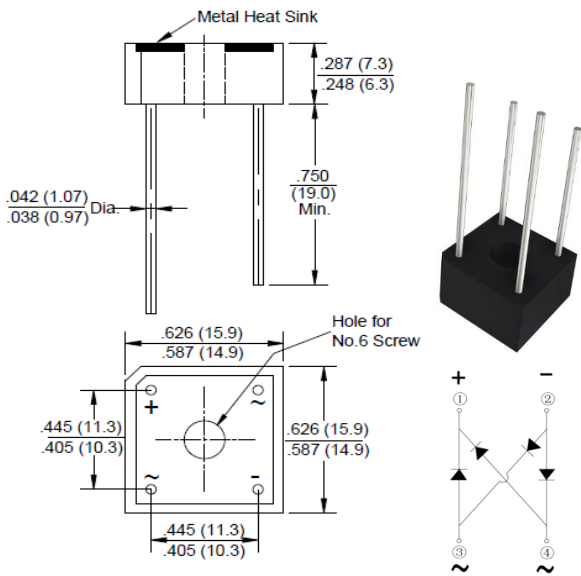


FIG.4-TYPICAL INSTANTANEOUS FORWARD CHARACTERISTICS



**MP6**



**Part Number Table**

Description	Part Number
Glass Passivated Bridge Rectifiers, 6A 50V	MP6005G
Glass Passivated Bridge Rectifiers, 6A 200V	MP602G
Glass Passivated Bridge Rectifiers, 6A 100V	MP601G
Glass Passivated Bridge Rectifiers, 6A 600V	MP606G

**Important Notice :** This data sheet and its contents (the "Information") belong to the members of the AVNET group of companies (the "Group") or are licensed to it. No licence is granted for the use of it other than for information purposes in connection with the products to which it relates. No licence of any intellectual property rights is granted. The Information is subject to change without notice and replaces all data sheets previously supplied. The Information supplied is believed to be accurate but the Group assumes no responsibility for its accuracy or completeness, any error in or omission from it or for any use made of it. Users of this data sheet should check for themselves the Information and the suitability of the products for their purpose and not make any assumptions based on information included or omitted. Liability for loss or damage resulting from any reliance on the Information or use of it (including liability resulting from negligence or where the Group was aware of the possibility of such loss or damage arising) is excluded. This will not operate to limit or restrict the Group's liability for death or personal injury resulting from its negligence. Multicomp Pro is the registered trademark of Premier Farnell Limited 2019.