

6 Watt UK Plug Top Power Supplies



DESCRIPTION

A range of R-TECH 6W AC/DC Power Adapters.

DISTINCTIVE FEATURES

- UK Plug Top
- DOE Level VI Efficiency
- Overcurrent Protection
- Short Circuit Protection
- RoHS Compliant
- 1 Year Warranty
- EN62368 Approved
- Cable Length 1.5 Metres

APPLICATIONS

These products are ideal for use with Audio Visual equipment, and Information Technology products that require a 6W power supply with 2.1x5.5x12mm Centre Positive connector.

6W

**5 &
12VDC**

**0.5 &
1.2A**

Plug

1.5m





ELECTRICAL SPECIFICATION

Output	85-7075	85-7076
DC Voltage	5vdc	12vdc
Rated Current	1.2amp	0.5amp
Current Range	0-1amp	0-0.5amp
Rated Power	6 Watt	
Ripple & Noise	200mVp-p max	
Output Regulation	±5%	
Output Connector	2.1x5. 5x12mm Centre Positive	
Input		
Voltage Range	90-264vac	
Frequency Range	47-63Hz	
Nominal Voltage Range	100-240vac	
Nominal Frequency Range	50-60Hz	
Input Current	1.2amp Max	
Inrush Current	40amp Max	
Standby Power	0.1W Max	
Leakage Current	0.25amp Max	
Input Connector	UK	



GENERAL SPECIFICATION

Series	Power Supplies
Type	UK Plug Top AC/DC Adapter
RoHS Complaint	Yes
DOE	Level VI Efficiency
Class Rating	Class II Double Insulated



MATERIALS

Case Material	Polycarbonate
Case Colour	Black



CERTIFICATION AND STANDARDS

Safety Standards	CE EN62368-1
EMC Emissions	EN55032, EN55035, EN61000-3-2 2014, EN61000-3-3 2013



ENVIRONMENTAL/OPERATING SPECIFICATION

Operating Temperature	0°C~40°C
Cooling	Convection
Temperature Coefficient	0.05 %/°C
Humidity	5~95%RH (non-condensing)
Storage Temperature	-20°C~+80°C
Operating Environment	Designed for indoor use only, and not suitable for use in damp or wet conditions



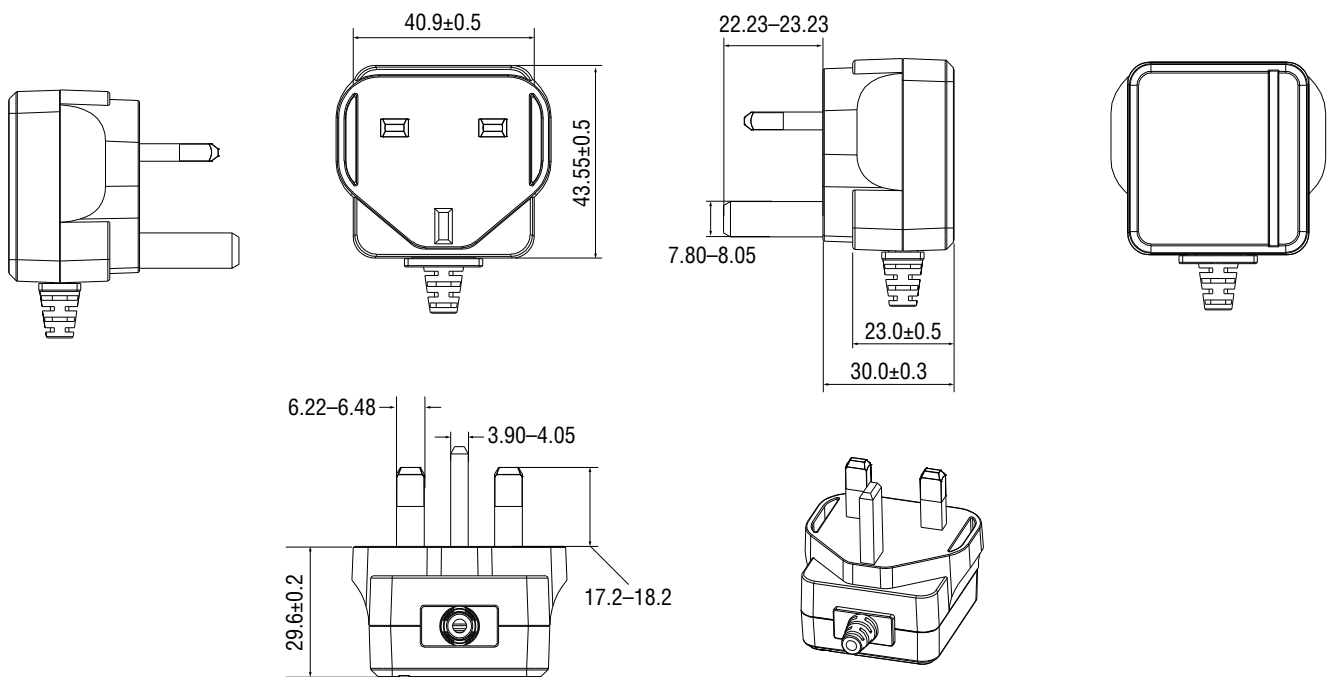
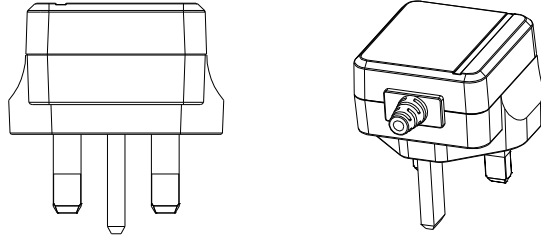
OPTIONS (MOQ may apply)

Output voltage	9v and 24v versions are available
----------------	-----------------------------------



DIMENSIONS/DRAWINGS

Units	mm - unless stated otherwise
Overall Dimensions	43.55 x 40.9 x 52.23mm
Cable Length	1.5 Metres
Weight	80g



PART NUMBER TABLE

Part number	DC Voltage	Rated Current	Current Range	Rated Power	UNSPSC	EAN	Country of Origin
85-7075	5vdc	1.2amp	0-1amp	6W	39121004	5053556007950	China
85-7076	12vdc	0.5amp	0-0.5amp	6W	39121004	5053556007974	China

R-TECH

Tried & trusted technology

Important Notice: This data sheet and its contents (the "Information") belong to Rapid Electronics Limited or are licensed to it. No licence is granted for the use of it other than for information purposes in connection with the products to which it relates. No licence of any intellectual property rights is granted. The Information is subject to change without notice and replaces all data sheets previously supplied. The Information supplied is believed to be accurate but Rapid Electronics Limited assumes no responsibility for its accuracy or completeness, any error in or omission from it or for any use made of it. Users of this data sheet should check for themselves the Information and the suitability of the products for their purpose and not make any assumptions based on information included or omitted. Liability for loss or damage resulting from any reliance on the Information or use of it (including liability resulting from negligence or where Rapid Electronics Limited were aware of the possibility of such loss or damage arising) is excluded. This will not operate to limit or restrict Rapid Electronics Limited's liability for death or personal injury resulting from its negligence.