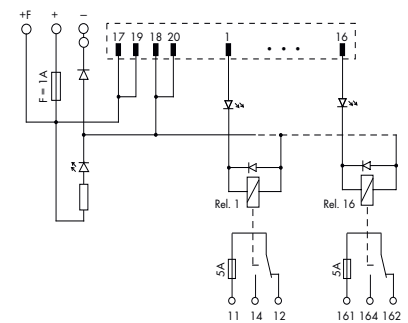
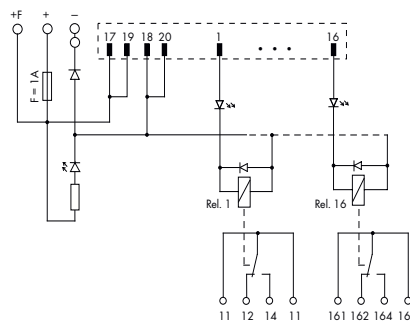
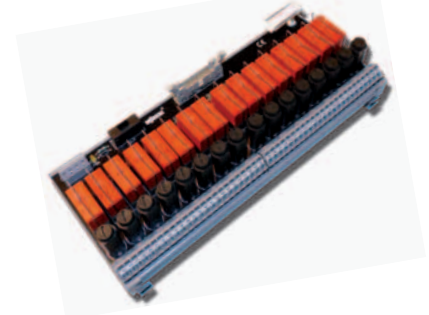
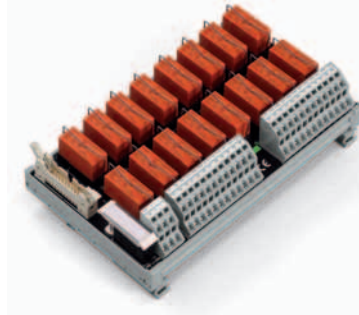


| | | |
|--|---|---|
| | Relay output module with miniature switching relay for 16 channels, 1 changeover contact each (1 u) with integrated status indication, 20-pole connector acc. to DIN 41651 | Relay output module with miniature switching relay for 16 channels, 1 changeover contact each (1 u) with integrated status indication and output fuse, 20-pole connector acc. to DIN 41651 |
|--|---|---|



| Description | Item No. | Pack. Unit | Item No. | Pack. Unit |
|---|----------|------------|----------|------------|
| Switching relay module, for DIN 35 rail | 704-5004 | 1 | 704-5034 | 1 |
| Switching relay module without miniature switching relay, for DIN 35 rail | 704-5014 | 1 | | |

| Technical Data | | | | |
|---|---|--|---|--|
| Contact material | AgNi 90/10 | | AgNi 90/10 | |
| Contact type | 1 changeover contact | | 1 changeover contact | |
| Operating voltage | 24 V DC (± 10 %) | | 24 V DC (± 10 %) | |
| Max. switching voltage | 250 V AC / 48 V DC | | 250 V AC / 48 V DC | |
| Max. continuous current | 5 A | | 5 A | |
| Inrush current | 2s, 16A | | 2s, 16A | |
| Max. switching power (resistive) | 1250VA / 50W | | 1250VA / 50W | |
| Status indication | LED green : Channel LED yellow : Power supply | | LED green : Channel LED yellow : Power supply | |
| Mechanical life | 30 x 10 ⁶ switching operations | | 30 x 10 ⁶ switching operations | |
| Dielectric strength contact-coil (AC, 1 min) | 3 kV | | 4 kV | |
| Dielectric strength contact-contact | 1 kV | | 1 kV | |
| Fuse | Supply: 1 A Relay output: - | | Supply: 1 A Relay output: 5 A | |
| Ambient operating temperature | -25 °C ... +50 °C | | -25 °C ... +50 °C | |
| Storage temperature | -40 °C ... +70 °C | | -40 °C ... +70 °C | |
| Dimensions (mm) L x W x H incl. mounting carrier and relay | 180 x 50 x 105 | | 247 x 55 x 105 | |
| Wire connection | Height from upper-edge of DIN 35 rail Inpu: 20-pole connector acc. to DIN 41651 Output: CAGE CLAMP® | | Height from upper-edge of DIN 35 rail Inpu: 20-pole connector acc. to DIN 41651 Output: CAGE CLAMP® | |
| Cross sections | 0.08 mm ² ... 2.5 mm ² / AWG 28 ... 12 | | 0.08 mm ² ... 2.5 mm ² / AWG 28 ... 12 | |
| Strip length | 5 ... 6 mm / 0.22 in | | 5 ... 6 mm / 0.22 in | |
| Accessories | Spare relay 788-154 | | Spare relay 788-154 | |