

Data sheet Actuator.

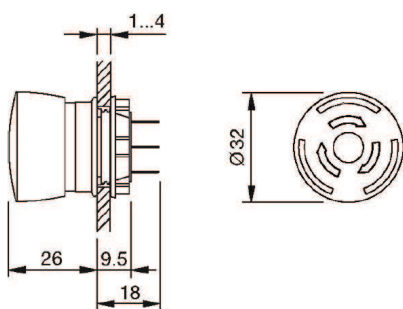
Part No.: 84-5330.0020

Technical data

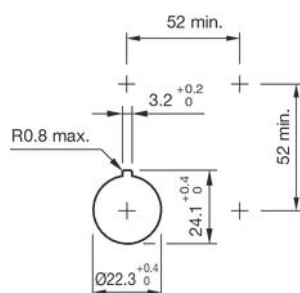


Terminal	Plug-in terminal
Lens illumination	non illuminative
Lens colour	Red
Lens shape	mushroom-head
Lens material	Plastic
Lens optics	opaque
Housing colour	Yellow
Housing material	Plastic
Weight	0.028 kg
Contacts normally open	1 NO
Contacts normally close	1 NC
Contact material	Gold-plated silver
Switching action	Maintained
Switching voltage	250 V
Switching system	Slow-make switching element
Hints	
	<ul style="list-style-type: none"> ▪ Twist to unlock clockwise ▪ Foolproof according to EN IEC 60947-5-5 ▪ Lens colour Red
Product attributes	
	<ul style="list-style-type: none"> ▪ Switching position ring green

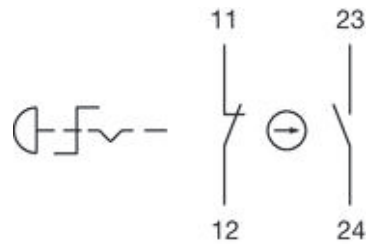
Dimensions



Mounting cut-outs



Wiring diagrams



Component layouts

