

Rotating Machine Handles • DIN 98

24460.0136

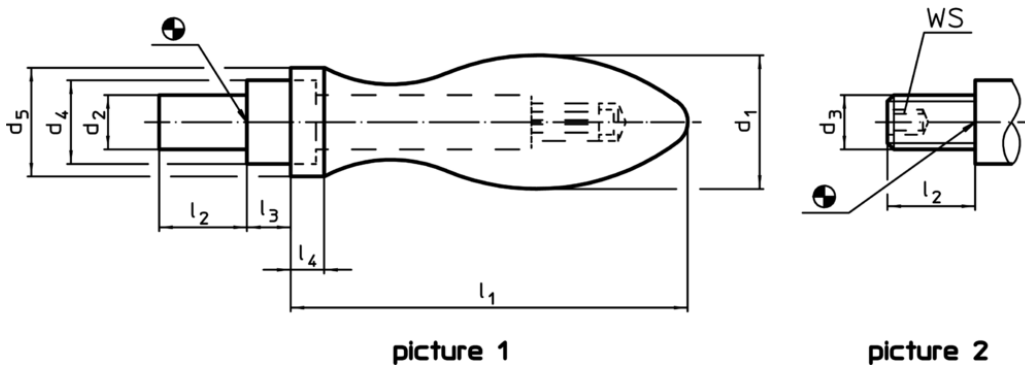
Product Description



Material

- Steel, turned, zinc-plated by galvanization, passivated

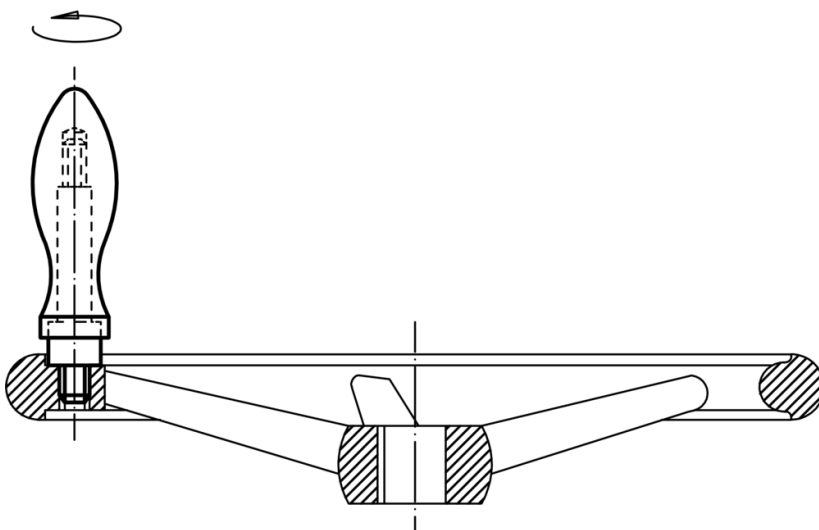
Drawing



Order information

d ₁		d ₃	d ₄ h13	Dimensions				WS	[g]	Art. No.	
[mm]			d ₅	l ₁	l ₂	l ₃	l ₄	[mm]			
with male thread lug, form E – picture 2											
36		M16	22	29	106	26	11	9	8	566	24460.0136

Application example



Compliance

RoHS compliant

Contains lead - compliant according to exceptions 6a / 6b / 6c

Contains SVHC substances >0,1% w/w

Contains lead - SVHC list [REACH] as of 10.06.2022

Contains Proposition 65 substances



Lead can cause cancer and reproductive harm from exposure

<https://www.P65Warnings.ca.gov/>

Free from Conflict Minerals

This product does not contain any substances designated as "conflict minerals" such as tantalum, tin, gold or tungsten from the Democratic Republic of Congo or adjacent countries.