



6.35mm pitch high power rising clamp terminal blocks

Product overview

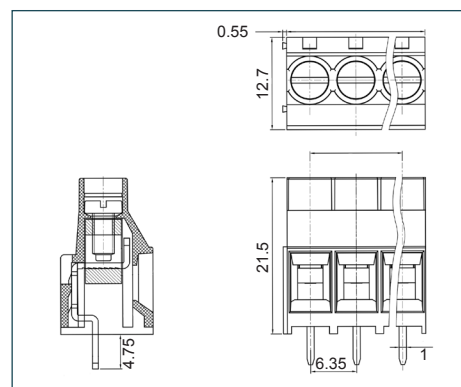
- 2 and 3 pole double interlocking mechanism for increased strength
- Professional rising clamp terminals
- High profile
- Moulded in green UL94-V0 flame retardant PA66
- Cable acceptance - 0.4-2.6mm² (26-10AWG)
- 32A 450V
- Guided pin alignment
- Turret design meets requirements of IP2X
-   approved

CTBP04VY



SPECIFICATION	
Rating	UL=30A/300V, VDE=32A/450V
Insulation resistance	500M Ω /500V
Withstand voltage	AC2000V/1min
Contact resistance	20m Ω (max)
Working temperature	-40°C to +105°C
Moulding	UL94-V0 flame retardant PA66
Pin/terminal	Tin plated brass
Rising clamp	Brass, nickel plated
Screw/torque	M3 steel, zinc plated 0.5Nm
Recommended PCB hole size	ϕ 1.5mm

PART NO.	POLES	LENGTH
CTBP04VY/2	2	12.7mm
CTBP04VY/3	3	19.1mm
CTBP04VY/4	4	25.4mm
CTBP04VY/5	5	31.8mm
CTBP04VY/6	6	38.1mm
CTBP04VY/7	7	44.5mm
CTBP04VY/8	8	50.8mm
CTBP04VY/9	9	57.2mm
CTBP04VY/10	10	63.5mm
CTBP04VY/11	11	69.9mm
CTBP04VY/12	12	76.2mm



KEY FEATURES

High powered 32A | Double interlock mechanism | Professional rising clamp



081

TERMINAL STRIPS

095

WIRE TO BOARD
CONNECTORS

100

CIRCULAR
CONNECTORS

151

IP68 CONNECTORS

158

INTERFACE
MODULES AND
RELAY BASES