

## Face milling cutters, 45°

For indexable milling inserts: SAHT 1306..

**ATORN®**

### Application

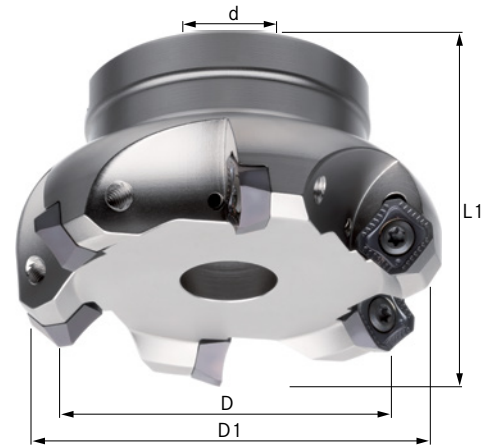
For machining stainless steels and other long-chipping materials. For face milling, chamfering, rough machining and finishing.

### Version

- Wear-resistant, nickel-plated version
- With robust support design
- Clamping screw tightening torque (indexable insert) M5 = 8 Nm

### Advantage

- Particularly smooth cut and low noise generation
- Safe chip removal due to helical chips
- Indexable insert with sharp blade particularly suited to milling VA



<b>Art. No.</b>	<b>16025 225</b>
<b>Min. cutting edge diameter</b>	125 mm
<b>Max. cutting edge diameter</b>	136 mm
<b>Length</b>	63 mm
<b>Bore diameter</b>	40 mm
<b>max. ap</b>	6 mm
<b>Number of cutting edges</b>	8 PCS

### EAN-Code

405029353886 1