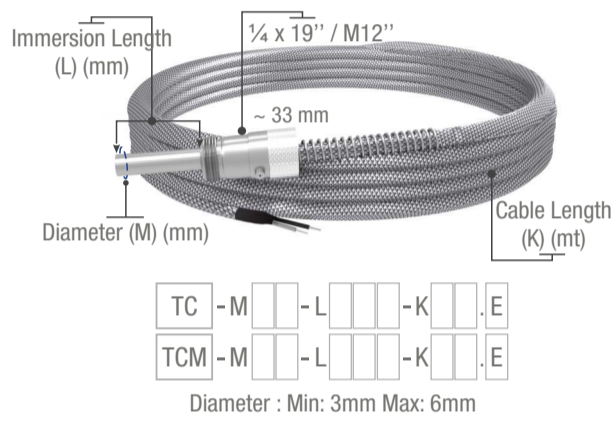


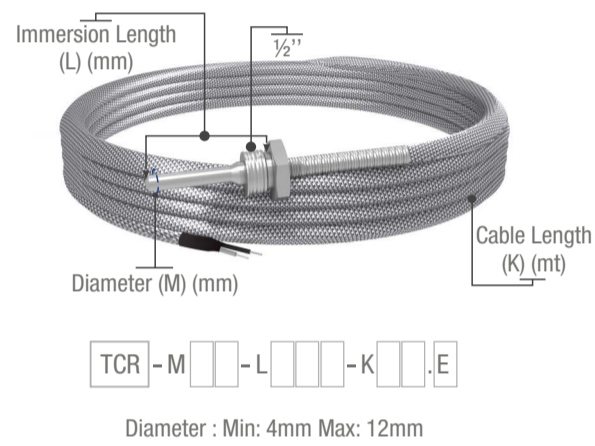
# Temperature Sensors

## Thermocouples

► (TC) Bayonet Type  
(TCM) Mineral Isolated Bayonet Type

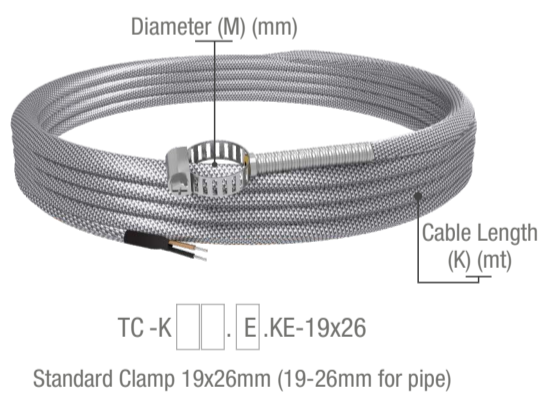


► (TCR) Bayonet Type with Fittingnut

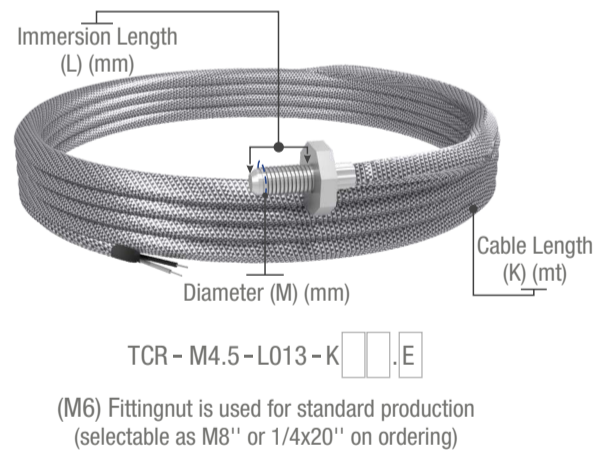


- Max. operating temperature :** (TC)-(TCR) 400°C for Braided wire, 200°C for Silicone  
(TCM) "J" Type 800°C / "K" Type 1200°C
- Standard cable types :** Fiber glass + Fiber glass + Braided Wire, 2x0,22 mm<sup>2</sup>  
Silicone + Silicone, 2x0,22 mm<sup>2</sup> ("Si+Si" is added to order code)
- Standard cable length (K) :** K01 = 1mt, K02 = 2mt, K03 = 3 mt, K04 = 4mt, K05 = 5 mt.
- Sensor type :** DIN/IEC-584 "J" FeCu-Ni E=J, DIN/IEC-584 "K" NiCr-Ni E=K
- Protection tube material :** Nickel coated brass (TC) or AISI304 (DIN1.4301)
- Connector :** 1/4 x 19" (selectable as M12")
- Fittingnut (RTR) :** 1/2" fittingnut is used for standard production

► (TC) Bayonet Type Clamp



► (TCR) Adjustable Fittingnut Type



- Max. operating temperature :** 400°C for Braided wire, 200°C for Silicone
- Standard cable types :** Fiber glass + Fiber glass + Braided wire, 2x0,22 mm<sup>2</sup>  
Silicone + Silicone, 2x0,22 mm<sup>2</sup> ("Si+Si" is added to order code)
- Standard cable length (K) :** K01 = 1mt, K02 = 2mt, K03 = 3 mt, K04 = 4mt, K05 = 5 mt.
- Sensor type :** DIN/IEC-584 "J" FeCu-Ni E=J, DIN/IEC-584 "K" NiCr-Ni E=K
- Protection tube material :** Nickel coated brass (TC) or AISI304 (DIN1.4301)
- Connector :** 1/4 x 19" (selectable as M12" or M12 x 1,5" on ordering)
- Fittingnut (RTR) :** 1/2" fittingnut is used for standard production