

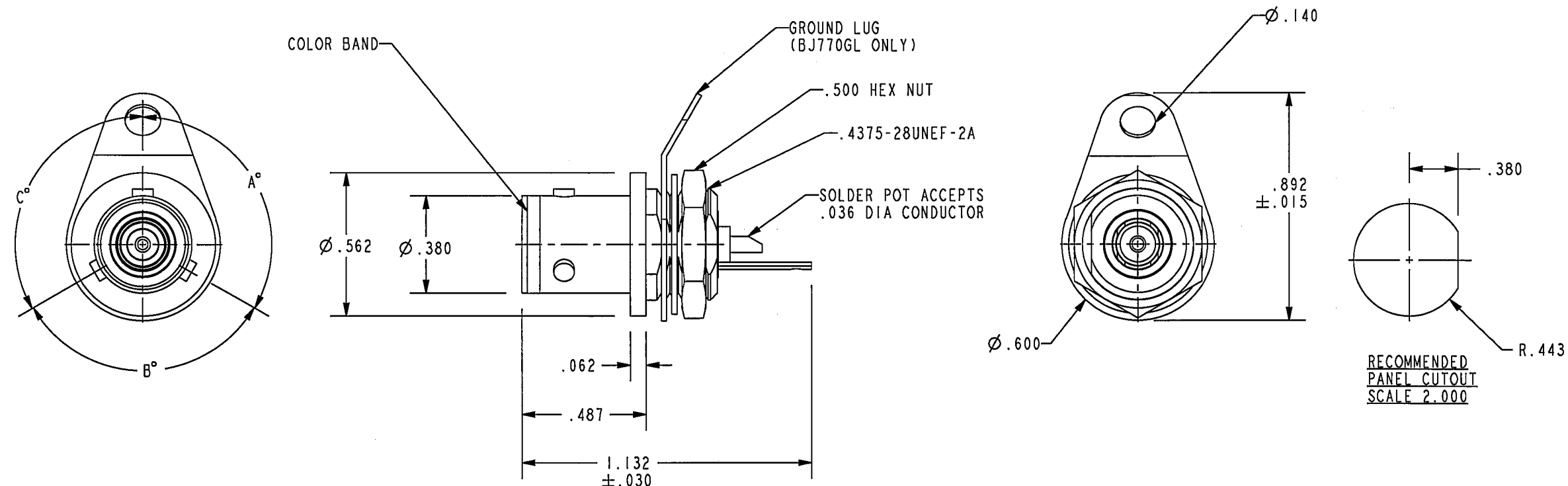
TABLE 1	
MODEL NO.	INCLUDED ITEMS
BJ770	CONNECTOR HEX NUT LOCK WASHER
BJ770GL	CONNECTOR HEX NUT LOCK WASHER GROUND LUG

TABLE 2				
KEYING LETTER	A°	B°	C°	COLOR BAND
NONE	120°	120°	120°	NONE
S	135°	135°	90°	WHITE
T	100°	150°	110°	RED
U	120°	130°	110°	ORANGE
V	115°	130°	115°	YELLOW
W	125°	110°	125°	GREEN
X	130°	100°	130°	BLUE
Y	110°	140°	110°	VIOLET
Z	100°	160°	100°	GRAY

DATA CONTAINED IN THIS DOCUMENT IS PROPRIETARY OF TROMPETER ELECTRONICS INC. AND SHALL NOT BE DISCLOSED, COPIED OR USED FOR PROCUREMENT OR MANUFACTURE WITHOUT EXPRESS WRITTEN PERMISSION.

REVISIONS			
REV	DESCRIPTION	DATE	APPROVED
C	REVISED PER ECO # 15179	3-4-04	RAM

**RED INDICATES ORIGINAL**



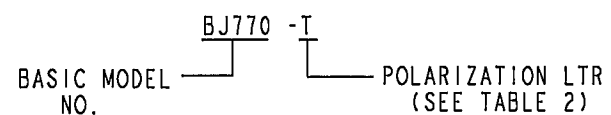
4. MAX PANEL THK .125

3. SOCKET CONTACT CONCENTRIC TWINAX/  
TRIAx TRB SOLDER POT BULKHEAD  
MOUNT RECEPTACLE

2. FINISH: TFS-1A (NICKEL)

1. ALL DIM ARE IN INCHES

5. EXAMPLE OF COMPLETE MODEL NO:



NOTES: UNLESS OTHERWISE SPECIFIED.

INTERPRET DRAWING PER MIL-STD-100. DIMENSIONS ARE IN INCHES AND INCLUDE FINISH THICKNESS UNLESS OTHERWISE SPECIFIED.		TOL: UNLESS SPECIFIED .XX ± .XXX ± .005 .XXX ± .XXX ± ANGLE ±			
DRN	HM	1/19/04	MATERIAL		
CHK	AAH	3-3-04	FINISH	SIZE	REV
QUALITY	RAM	3/3/04		CAGE CODE	DRAWING NO.
MANUF	RAM	3/3/04	SCALE	14949	3-0296
APPROVED	RAM	3/3/04	DO NOT SCALE DWG	DATE	SHEET
PROJ FILE NO.	3-0296			1/1	IC