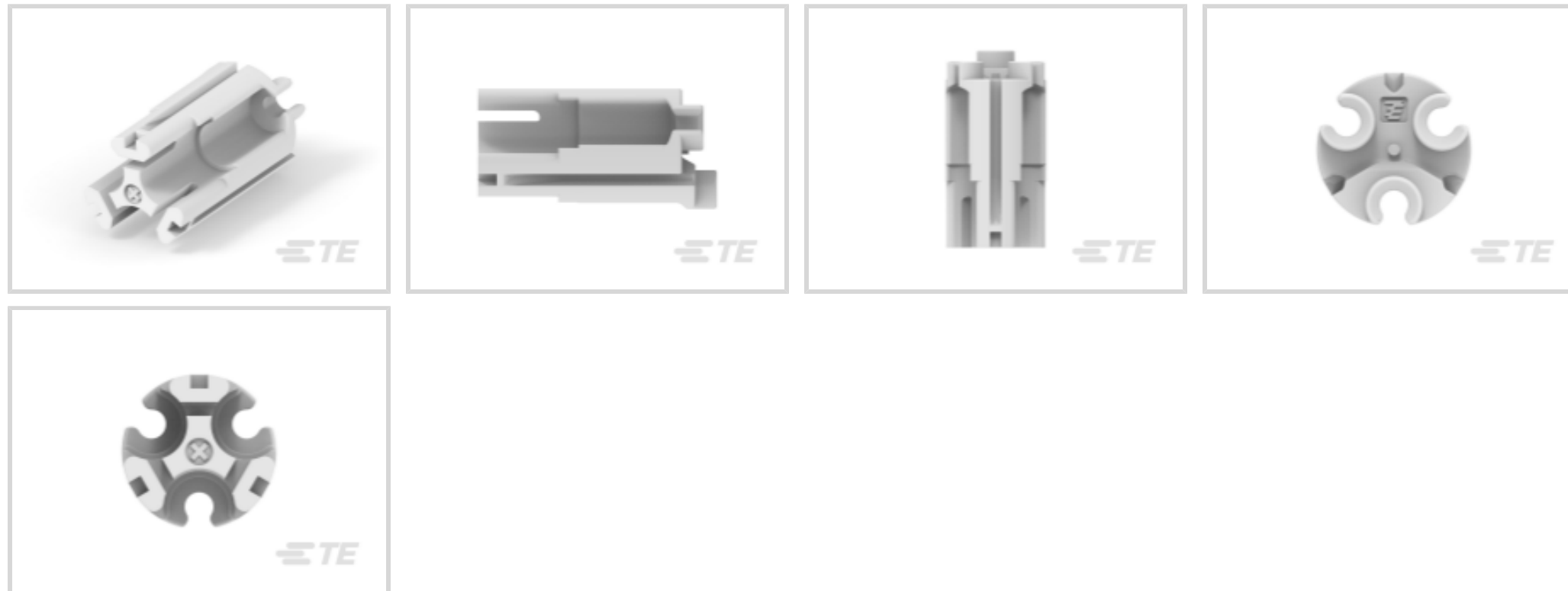




Connectors > Circular Connectors > Standard Circular Connectors



Sealable: **No**

Hermetically Sealed: **No**

Contacts Preloaded: **No**

Shielded: **No**

Features

Product Type Features

Product Type	Accessory
Accessory Color	Natural
Sealable	No

Configuration Features

Contacts Preloaded	No
--------------------	----

Body Features

Environmental Protection	Without
Hermetically Sealed	No

Mechanical Attachment

Mating Alignment	Without
------------------	---------

Operation/Application

Shielded	No
----------	----

Product Compliance

[For compliance documentation, visit the product page on TE.com>](#)



EU RoHS Directive 2011/65/EU	Compliant
EU ELV Directive 2000/53/EC	Compliant
China RoHS 2 Directive MIIT Order No 32, 2016	No Restricted Materials Above Threshold
EU REACH Regulation (EC) No. 1907/2006	Current ECHA Candidate List: JUNE 2022 (224) Candidate List Declared Against: JUNE 2022 (224) Does not contain REACH SVHC
Halogen Content	Low Halogen - Br, Cl, F, I < 900 ppm per homogenous material. Also BFR/CFR/PVC Free
Solder Process Capability	Not reviewed for solder process capability

Product Compliance Disclaimer

This information is provided based on reasonable inquiry of our suppliers and represents our current actual knowledge based on the information they provided. This information is subject to change. The part numbers that TE has identified as EU RoHS compliant have a maximum concentration of 0.1% by weight in homogenous materials for lead, hexavalent chromium, mercury, PBB, PBDE, DBP, BBP, DEHP, DIBP, and 0.01% for cadmium, or qualify for an exemption to these limits as defined in the Annexes of Directive 2011/65/EU (RoHS2). Finished electrical and electronic equipment products will be CE marked as required by Directive 2011/65/EU. Components may not be CE marked. Additionally, the part numbers that TE has identified as EU ELV compliant have a maximum concentration of 0.1% by weight in homogenous materials for lead, hexavalent chromium, and mercury, and 0.01% for cadmium, or qualify for an exemption to these limits as defined in the Annexes of Directive 2000/53/EC (ELV). Regarding the REACH Regulation, the information TE provides on SVHC in articles for this part number is based on the latest European Chemicals Agency (ECHA) 'Guidance on requirements for substances in articles' posted at this URL: <https://echa.europa.eu/guidance-documents/guidance-on-reach>

Compatible Parts



Also in the Series | NECTOR M Series



Circular Connector Hardware(1)



Plug & Socket Lighting Connector Accessories(1)



Rectangular Connector Hardware(13)



Rectangular Power Connectors(2)



Standard Circular Connectors(124)

Customers Also Bought



TE Part #299139-1
NECTOR M PANEL GASKET, 3P



TE Part #1-2213396-1
NECTOR M CONTACTS POSITIONER



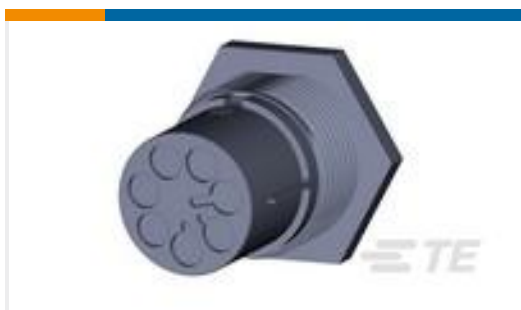
TE Part #2213413-1
NECTOR M CABLE RING NUT, 8-11MM



TE Part #1217092-2
PL 250 TERMINAL REC 16-12 AWG TPBR



TE Part #2213263-1
NECTOR M SKT HSG ASSY, PM, 7P CODE A



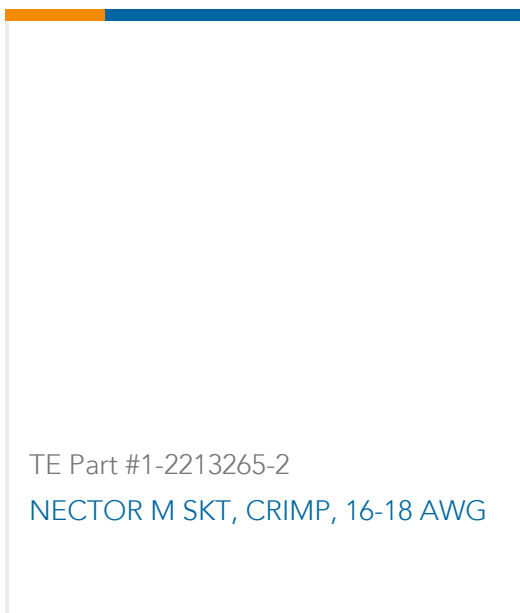
TE Part #2213392-1
NECTOR M PIN HOUSING, PANEL, 7P, CODE A



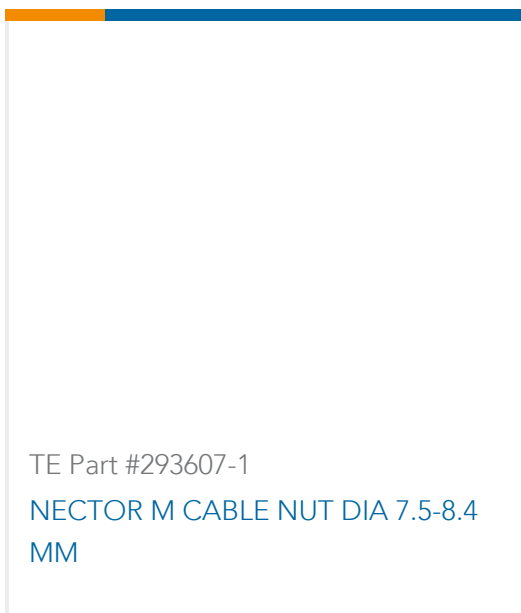
TE Part #2213410-1
NECTOR M SEAL/CABLE CLAMP ASY, 8-11MM



TE Part #1-2213266-2
NECTOR M PIN, CRIMP, 16-18 AWG



TE Part #1-2213265-2
NECTOR M SKT, CRIMP, 16-18 AWG



TE Part #293607-1
NECTOR M CABLE NUT DIA 7.5-8.4 MM

Documents



Product Drawings

NECTOR M LOCKING FOR CTCS

English

CAD Files

3D PDF

3D

Customer View Model

[ENG_CVM_CVM_293470-1_H.2d_dxf.zip](#)

English

Customer View Model

[ENG_CVM_CVM_293470-1_H.3d_igs.zip](#)

English

Customer View Model

[ENG_CVM_CVM_293470-1_H.3d_stp.zip](#)

English

By downloading the CAD file I accept and agree to the [Terms and Conditions](#) of use.

Product Specifications

Product Specification

English

Agency Approvals

Agency Approval Document

English

Agency Approval Document

English