

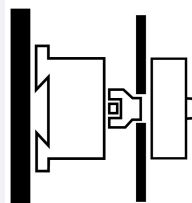
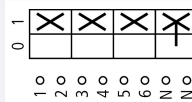
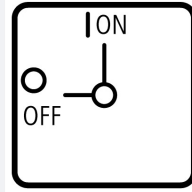




Part no.
Article no.

P3-63/M4/K2-PR/N
172812

Delivery programme

| | | | | |
|---|----------------|-----|---|---|
| Product range | | | | Main switch maintenance switch Repair switch |
| Part group reference | | | | P3 |
| Emergency STOP | | | | As an emergency switching off function With red rotary handle and yellow locking ring |
| Notes | | | | with 400 mm metal shaft auxiliary contact fitted by user |
| Main circuits Poles | | | | 3 + N |
| Auxiliary contacts | | | | |
|  | | N/O | 0 | |
|  | | N/C | 0 | |
| Locking facility | | | | Lockable in the 0 (Off) position |
| Degree of Protection | | | | Front IP65 |
| Design | | | | rear mounting |
| | | | |  |
| Contact sequence | | | |  |
| Front plate no. | | | |  FS 908 |
| Motor rating AC-23A, 50 - 60 Hz | | | | |
| 400 V | P | kW | | 30 |
| Rated uninterrupted current | I _u | A | | 63 |

General

| | | | | |
|---------------------------------------|------------------|------|--|--|
| Standards | | | | IEC/EN 60947, VDE 0660, IEC/EN 60204, Switch-disconnector according to IEC/EN 60947-3 |
| Climatic proofing | | | | Damp heat, constant, to IEC 60068-2-78 Damp heat, cyclic, to IEC 60068-2-30 |
| Ambient temperature | | °C | | |
| Open | | °C | | -25 - +50 |
| Enclosed | | °C | | -25 - +40 |
| Overvoltage category/pollution degree | | | | III/3 |
| Rated impulse withstand voltage | U _{imp} | V AC | | 6000 |

| | | | |
|---|--|---|-------------------------------|
| Mechanical shock resistance | | g | 15 |
| Mounting position | | | As required |
| Protection against direct contact when actuated from front (EN 50274) | | | Finger and back-of-hand proof |

Contacts

| | | | |
|---|----------|--------------|--|
| Mechanical variables | | | |
| Main circuits Poles | | | 3 + N |
| Auxiliary contacts | | | |
| | | N/O | 0 |
| | | N/C | 0 |
| Electrical characteristics | | | |
| Rated operational voltage | U_e | V AC | 690 |
| Rated uninterrupted current | I_u | A | 63 |
| Note on rated uninterrupted current I_u | | | Rated uninterrupted current I_u is specified for max. cross-section. |
| Load rating with intermittent operation, class 12 | | | |
| AB 25 % DF | | $\times I_e$ | 2 |
| AB 40 % DF | | $\times I_e$ | 1.6 |
| AB 60 % DF | | $\times I_e$ | 1.3 |
| Short-circuit rating | | | |
| Fuse | | A gG/gL | 80 |
| Rated short-time withstand current (1 s current) | I_{cw} | A_{rms} | 1260 |
| Note on rated short-time withstand current I_{cw} | | | Current for a time of 1 second |

Switching capacity

| | | | |
|---|--------------|---------------|-------|
| $\cos \varphi$ rated making capacity as per IEC 60947-3 | | A | 800 |
| Rated breaking capacity $\cos \varphi$ to IEC 60947-3 | | A | |
| 230 V | | A | 640 |
| 400/415 V | | A | 600 |
| 500 V | | A | 590 |
| 690 V | | A | 340 |
| Safe isolation to EN 61140 | | | |
| between the contacts | | V AC | 440 |
| Current heat loss per contact at I_e | | W | 4.5 |
| Lifespan, mechanical | Operations | $\times 10^6$ | > 0.1 |
| Maximum operating frequency | Operations/h | | 1200 |
| AC | | | |
| AC-3 | | | |
| Rating, motor load switch | P | kW | |
| 220 V 230 V | P | kW | 15 |
| 400 V 415 V | P | kW | 30 |
| 500 V | P | kW | 30 |
| 690 V | P | kW | 30 |
| Rated operational current motor load switch | | | |
| 230 V | I_e | A | 51 |
| 400V 415 V | I_e | A | 55 |
| 500 V | I_e | A | 44 |
| 690 V | I_e | A | 22.1 |
| AC-21A | | | |
| Rated operational current switch | | | |
| 440 V | I_e | A | 63 |
| AC-23A | | | |
| Motor rating AC-23A, 50 - 60 Hz | | | |
| 230 V | P | kW | 18.5 |
| 400 V 415 V | P | kW | 30 |
| 500 V | P | kW | 37 |
| 690 V | P | kW | 30 |

| | | | |
|---|-------------------|----------|--|
| Rated operational current motor load switch | | | |
| 230 V | I_e | A | 63 |
| DC | | | |
| DC-1, Load-break switches L/R = 1 ms | | | |
| Rated operational current | I_e | A | 63 |
| Voltage per contact pair in series | | V | 60 |
| DC-23A, motor load switch L/R = 15 ms | | | |
| 24 V | | | |
| Rated operational current | I_e | A | 50 |
| Contacts | | Quantity | 1 |
| 48 V | | | |
| Rated operational current | I_e | A | 50 |
| Contacts | | Quantity | 2 |
| 60 V | | | |
| Rated operational current | I_e | A | 50 |
| Contacts | | Quantity | 2 |
| 120 V | | | |
| Rated operational current | I_e | A | 25 |
| Contacts | | Quantity | 3 |
| Control circuit reliability at 24 V DC, 10 mA | Fault probability | H_F | $< 10^{-5}$, < 1 fault in 100000 operations |

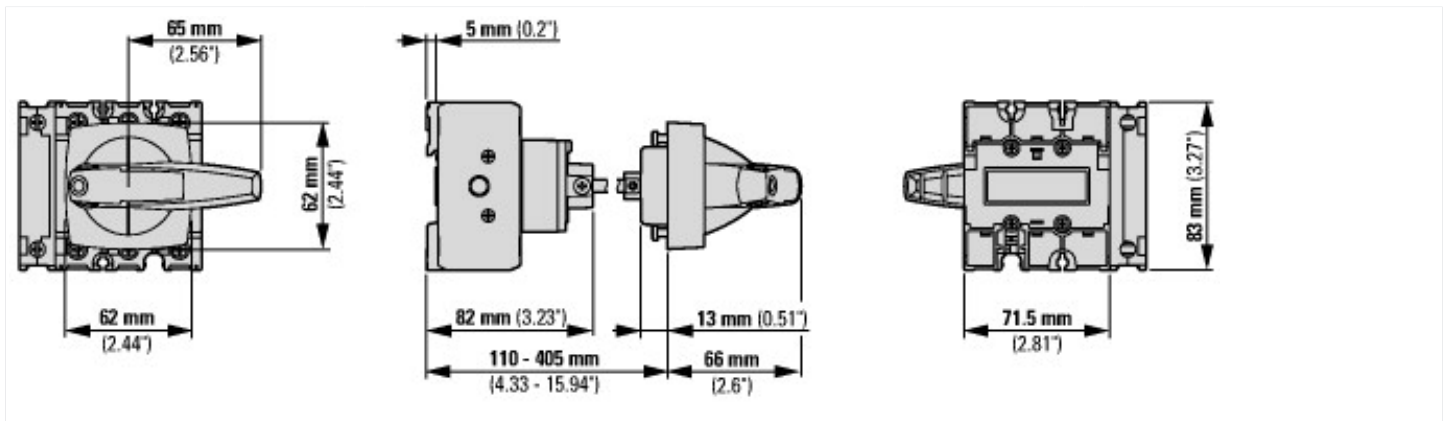
Terminal capacities

| | | | |
|-------------------------------------|--|-----------------|----------------------------------|
| Solid or stranded | | mm ² | 1 x (2,5 - 35) 2 x (2,5 - 10) |
| Flexible with ferrules to DIN 46228 | | mm ² | 1 x (1,5 - 25) 2 x (1,5 - 6) |
| Terminal screw | | | M5 |
| Max. tightening torque | | Nm | 3 |

Technical safety parameters:

| | | | |
|-------|--|--|---|
| Notes | | | B10 _d values as per EN ISO 13849-1, table C1 |
|-------|--|--|---|

Dimensions



Additional product information (links)

| | |
|---|---|
| IL008009ZU Switch-disconnector P3: Metal shaft | |
| IL008009ZU Switch-disconnector P3: Metal shaft | ftp://ftp.moeller.net/DOCUMENTATION/AWA_INSTRUCTIONS/IL008009ZU2014_06.pdf |
| Form for ordering non-standard front plates | http://ecat.moeller.net/flip-cat/?edition=HPLEN&startpage=4.87 |
| Technical overview cam switch, switch-disconnector | http://de.ecat.moeller.net/flip-cat/?edition=HPLTEv1&startpage=4.2 |
| System overview cam switch T | http://de.ecat.moeller.net/flip-cat/?edition=HPLTEv1&startpage=4.4 |
| System overview switch-disconnector P | http://de.ecat.moeller.net/flip-cat/?edition=HPLTEv1&startpage=4.6 |
| Key to part numbers Cam switch | http://de.ecat.moeller.net/flip-cat/?edition=HPLTEv1&startpage=4.8 |
| Key to part numbers Switch-disconnector | http://de.ecat.moeller.net/flip-cat/?edition=HPLTEv1&startpage=4.8 |
| Switches for ATEX Zone 22 | http://www.coopercrouse-hinds.eu/en/products/10-ex-safety-and-main-current-switches.html |
| UL/CSA: Rating data for approved types | http://ecat.moeller.net/flip-cat/?edition=HPLTF&startpage=4.90 |

