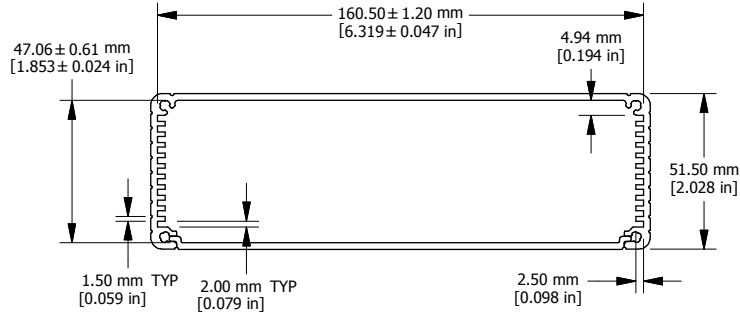
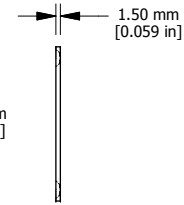
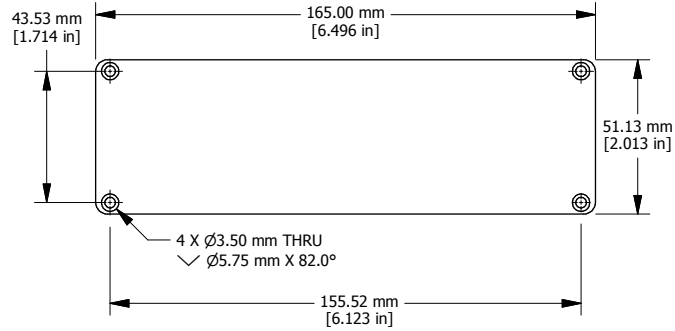


2

1



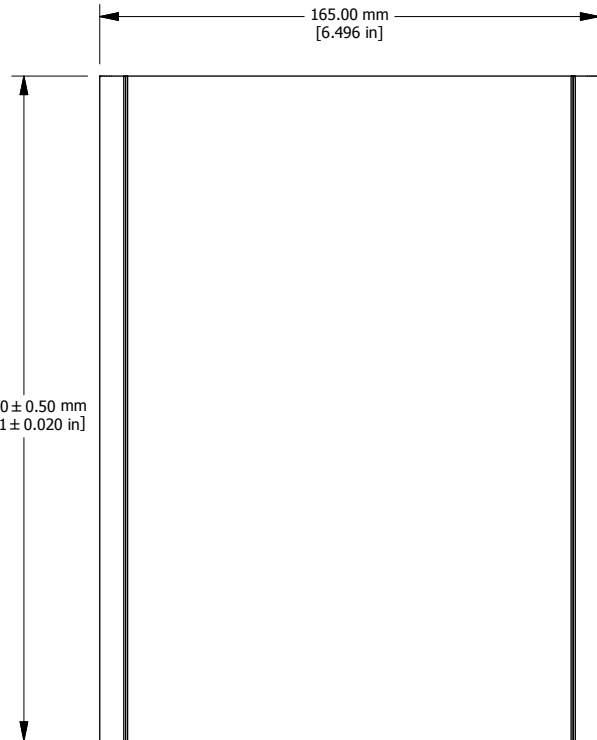
EXTRUSION



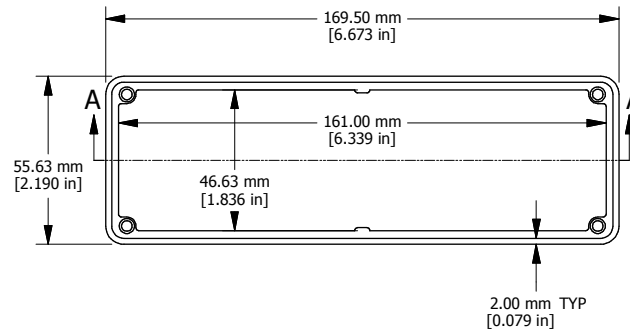
OPTIONAL FLANGE END PANELS 1455TF

B

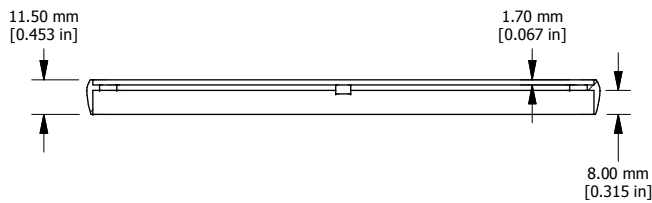
B



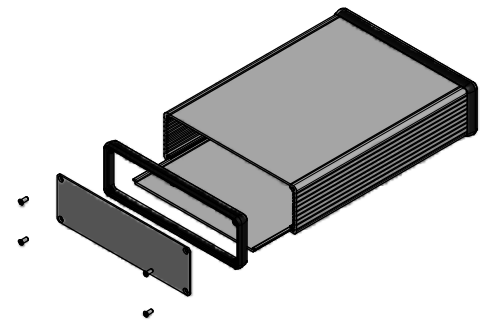
EXTRUSION DESIGNED FOR 160MM WIDE PC BOARD



OPEN BEZEL



SECTION A-A



EXPLODED ASSEMBLY VIEW

Enclosures can be Factory Modified ( Milling, Drilling, Printing etc. )  
 Solid models of this enclosure available in STEP or IGES.  
 Contact Factory [mjm@hammondmfg.com](mailto:mjm@hammondmfg.com)

NOTE	
Purchased assembly includes box, plastic bezels, end panels, #6 Taptight screws and self adhesive rubber feet.	
Box made from Extruded Aluminum 6063.	
Bezels made with polycarbonate.	

1455T2201	
PART NUMBERS	
Clear Anodized	1455T2201
Black Anodized	1455T2201BK
Blue Anodized	1455T2201BU
ACCESSORIES	
See website for accessories.	

**HAMMOND MANUFACTURING™**  
**1455T2201**  
[www.hammondmfg.com](http://www.hammondmfg.com)

2

1

A

A