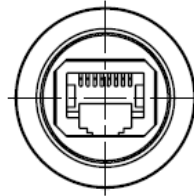
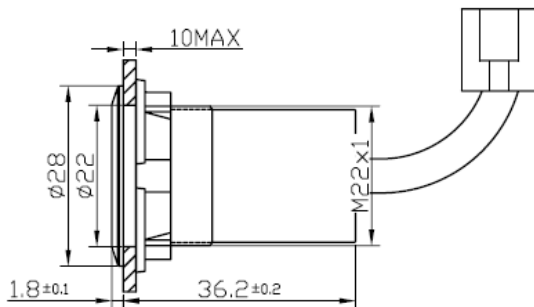


**Ø22 mm, RJ45 with 150cm cable,
Front: Female, Back: Male**

Version 11/16

**Item no.: 1515253 - Silver
1515254 - Black**



10MAX: means the panel thickness, the max thickness for the panel no more than 10mm.

Specification	RJ45 with 150cm cable
Cable standard	T568B
Mounting diameter	22 mm
Body material	aluminium anodized
Operating and storage temperature	-20 to +55 °C
Operating and storage humidity	45 to 85 % RH
Panel thickness	1 ~ 10 mm

This is a publication by Conrad Electronic SE, Klaus-Conrad-Str. 1, D-92240 Hirschau (www.conrad.com).
All rights including translation reserved. Reproduction by any method, e.g. photocopy, microfilming, or the capture in electronic data processing systems require the prior written approval by the editor. Reprinting, also in part, is prohibited. This publication represent the technical status at the time of printing.

© Copyright 2016 by Conrad Electronic SE.