



Model Number

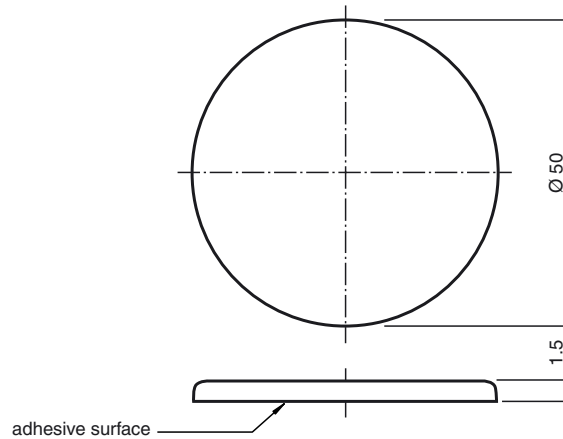
IPC11-50CD 10pcs

Data carrier

Features

- Battery-free data carrier
- 40 bit fixcode free programmable
- Readable from both sides
- Protection degree IP67
- Self-adhesive mounting
- Packaging unit: 10 pieces

Dimensions



Technical data

General specifications

Operating frequency	125 kHz
Transfer rate	2 kBit/s

Memory

Chip Type	Q5
Type/Size	EEPROM 40 bit fixcode free programmable
Read cycles	unlimited

Ambient conditions

Ambient temperature	-25 ... 70 °C (-13 ... 158 °F)
Storage temperature	-40 ... 85 °C (-40 ... 185 °F)

Mechanical specifications

Protection degree	IP67
Material	
Housing	ROYALPLAST, transparent, soft
Note	Packaging unit, 10-piece

Compliance with standards and directives

Directive conformity	
R&TTE Directive 1995/5/EC	EN 301489-1:2010 EN 301489-3:2003 EN 300220-2:2010
Standard conformity	
Electromagnetic compatibility	EN 301489-1:2010 EN 301489-3:2003 EN 300220-2:2010
Protection degree	EN 60529:2000

Notes

The transponder can be read and written from either side.