

Gear Lever Handles

24350.0634



Product Description

Material

Gear lever handle

- Stainless steel 1.4305, dull blasted

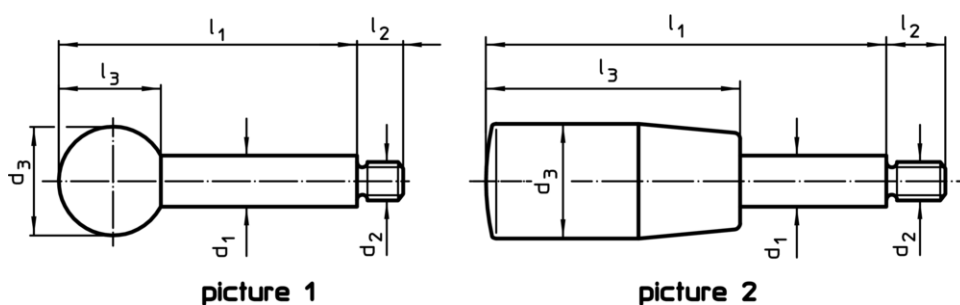
Ball knob

- Thermosetting plastic PF 31, black, DIN 319

Cylindrical handle

- Thermosetting plastic PF 31, black

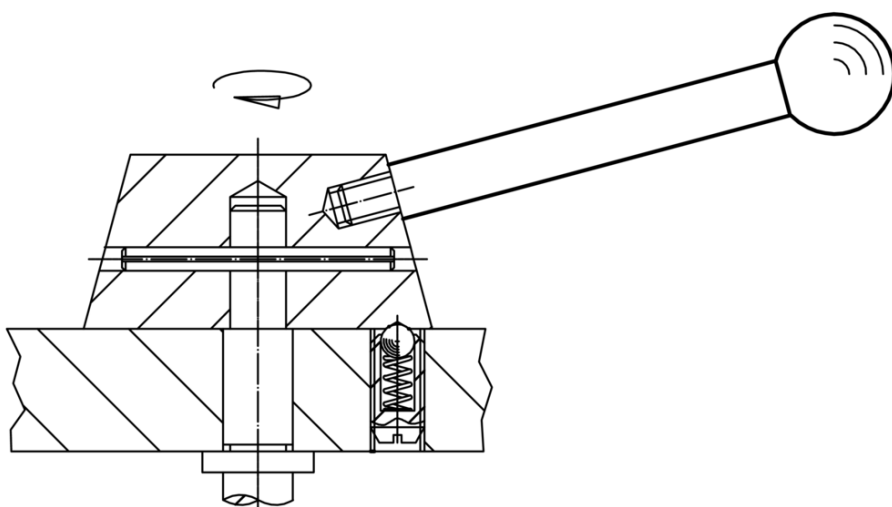
Drawing



Order information

| Dimensions | | | | | | max. [°C] | [g] | Art. No. |
|--|----------------|------------------------|----------------|----------------|----------------|--------------|-----|------------|
| d ₁ | l ₁ | d ₂ [mm] | d ₃ | l ₂ | l ₃ | | | |
| with cylindrical handle – picture 2, stainless steel | | | | | | | | |
| 10 | 125 | M8 | 21 | 11 | 50 | 110 | 78 | 24350.0634 |

Application example



Compliance

RoHS compliant

Compliant according to Directive 2011/65/EU and Directive 2015/863

Does not contain SVHC substances

No SVHC substances with more than 0.1% w/w contained - SVHC list [REACH] as of 10.06.2022

Does not contain Proposition 65 substances

No Proposition 65 substances included
<https://www.P65Warnings.ca.gov/>

Free from Conflict Minerals

This product does not contain any substances designated as "conflict minerals" such as tantalum, tin, gold or tungsten from the Democratic Republic of Congo or adjacent countries.