

GN 6311.1 | Thrust pads with elastic ring

Steel



MATERIAL

Black-oxide steel.

ELASTIC RING

Steel spring wire.

STANDARD EXECUTIONS

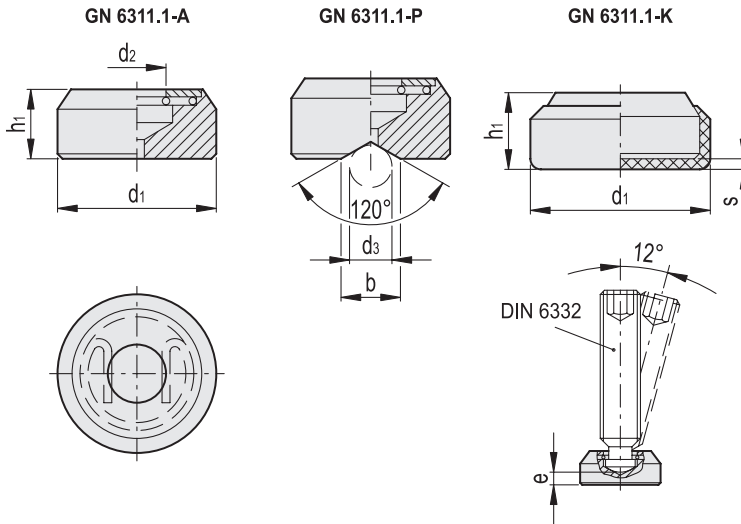
- **GN 6311.1-A**: without protection.
- **GN 6311.1-P**: without protection, with prismatic socket.
- **GN 6311.1-K**: with protection in acetal resin based (POM) technopolymer, natural colour. Maximum working temperature: 100°C.

FEATURES AND APPLICATIONS

GN 6311.1 thrust pads are used to transmit clamping forces by using grub screws DIN 6332 (see page 856).

The retaining ring creates a coupling between the grub screw and the thrust pad.

They can be adapted on irregular or non-parallel surfaces, holding the thrust pad with respect to the clamping surface, while tightening the screw.



Code	Description	d1	d2 +0.2	d3min.	d3max.	b	h1	e	s	DIN 6332	△
GN.11961	GN 6311.1-16-A	16	6.3	-	-	-	8	2.2	-	M8	11
GN.11965	GN 6311.1-20-A	20	9.2	-	-	-	10	2.6	-	M10 - M12	20
GN.11971	GN 6311.1-25-A	25	9.2	-	-	-	11	2.9	-	M10 - M12	35
GN.11975	GN 6311.1-32-A	32	12.5	-	-	-	14	4.5	-	M16	70
GN.11963	GN 6311.1-16-P	16	6.3	7.5	20	10	8	5.3	-	M8	10
GN.11967	GN 6311.1-20-P	20	9.2	7.5	24	12	10	5.6	-	M10 - M12	18
GN.11973	GN 6311.1-25-P	25	9.2	7.5	32	16	11	6.9	-	M10 - M12	33
GN.11977	GN 6311.1-32-P	32	12.5	7.5	44	22	14	9.2	-	M16	67
GN.11962	GN 6311.1-16-K	19	6.3	-	-	-	9.5	2.2	1.5	M8	13
GN.11966	GN 6311.1-20-K	23	9.2	-	-	-	11.5	2.6	1.5	M10 - M12	22
GN.11972	GN 6311.1-25-K	28	9.2	-	-	-	12.5	2.9	1.5	M10 - M12	35
GN.11976	GN 6311.1-32-K	35	12.5	-	-	-	15.5	4.5	1.5	M16	74

Machine elements