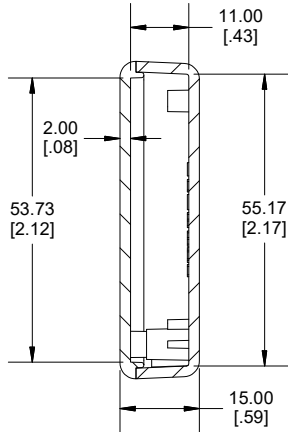
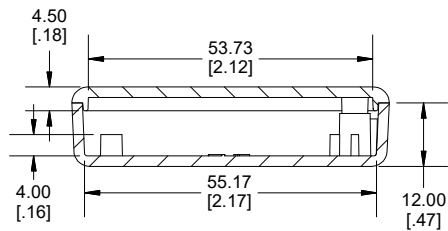
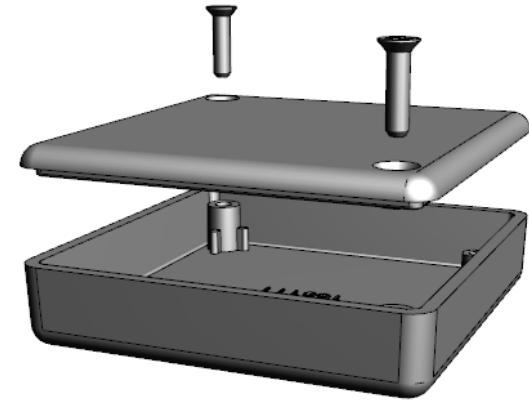


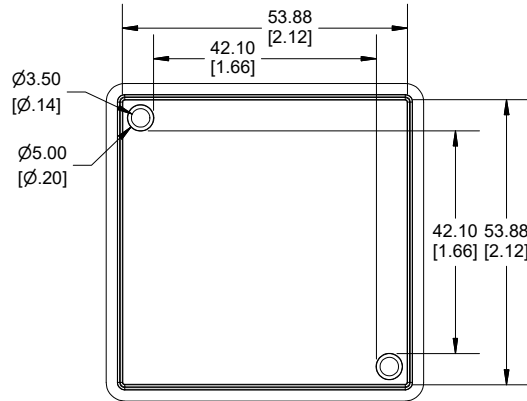
**TOP VIEW**



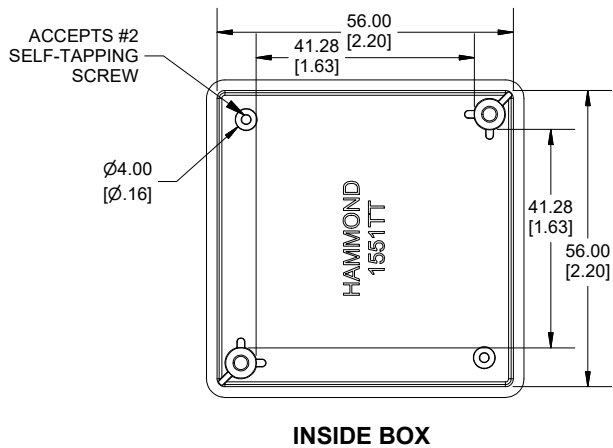
**END VIEW SECTION A-A**



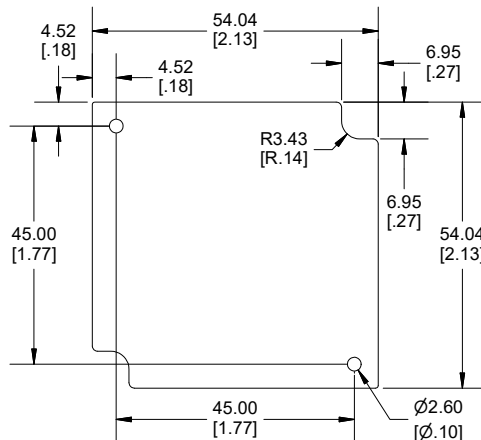
**SECTION B-B**



**INSIDE LID**



**INSIDE BOX**



**MAXIMUM P.C. BOARD SIZE**

Enclosures can be Factory Modified (Milling, Drilling, Printing etc.)  
 Contact Factory ([modshop@hammfg.com](mailto:modshop@hammfg.com)) for quotes  
 Solid models of this enclosure available in .stp or .x\_t  
 (Part number and text placement/orientation on our products are subject to change,  
 we do not recommend using them as a locating reference for modification purposes)

NOTE	
Purchased assembly includes box, lid, 2 cover screws. Enclosure molded from general purpose ABS Plastic. Other materials / colours available consult factory.	
Recommended Torque : (35-43) Ozf.in / (25-30) cN.m	
PART NUMBERS	
1551TT Enclosure	
Black Enclosure - Ral 9011 - UL94 - HB	1551TTBK
Gray Enclosure - RAL 7035 - UL94 - HB	1551TTGY
Translucent Blue - UL94 - HB	1551TTBU
ACCESSORIES	
Black Cover Screws #4 X 1/2" Self-tapping	1591TS100BK (Pkg 100)
Plated Cover Screws #4 X 1/2" Self-tapping	1591TS100 (Pkg 100)
P.C. Board Plastite Self Tapping Screw [#2 x 3/16" self-tapping (4.8mm)]	1553WTS100 (Pkg 100)

Dimensions:  
mm  
[inches]

**HAMMOND MANUFACTURING®**  
**1551TT**  
[www.hammondmfg.com](http://www.hammondmfg.com)