

TECHNICAL DATASHEET

Incremental Encoder RI 38



- Replacement for type RI 39
- Encoder for universal installation by means of front/back panel mounting
- High efficiency by means of ball bearing
- Small torque
- Applications: FHP motors, laboratory equipment, labelling machines, plotters, length measuring machines



NUMBER OF PULSES

5 / 10 / 20 / 25 / 28 / 32 / 50 / 60 / 72 / 100 / 128 / 144 / 200 / 250 / 256 / 288 / 300 / 360 / 400 / 500 / 512 / 600 / 720 / 900 / 1000 / 1024
 Other number of pulses on request

TECHNICAL DATA mechanical

Housing diameter	39 mm
Shaft diameter	6 mm (Solid shaft)
Flange (Mounting of housing)	Square flange
Protection class shaft input (EN 60529)	IP40
Protection class housing (EN 60529)	IP50
Shaft load axial / radial	5 N / 10 N
Max. speed	max. 10 000 rpm
Torque	≤ 0.2 Ncm
Vibration resistance (DIN EN 60068-2-6)	100 m/s ² (10 ... 2000 Hz)
Shock resistance (DIN EN 60068-2-27)	1000 m/s ² (6 ms)
Operating temperature	-10 °C ... +60 °C
Storage temperature	-25 °C ... +85 °C
Material housing	Glass fiber-reinforced plastic
Weight	approx. 60 g
Connection	Cable, radial

TECHNICAL DATA electrical

General design	as per DIN VDE 0160, protection class III, contamination level 2, overvoltage class II
Supply voltage ¹	Push-pull (D): DC 5 V ± 10 % Push-pull (K): ± 10% DC 5 V or DC 10 - 30 V
Max. current w/o load	40 mA (DC 5 V), 60 mA (DC 10 V), 30 mA (DC 24 V)
Max. pulse frequency	DC 5 V: 300 kHz DC 10 - 30 V: 200 kHz
Standard output versions ²	Push-pull (K): A, B, N, $\overline{\text{Alarm}}$ Push-pull 5V, ± 30 mA (D): A, B, N, $\overline{\text{Alarm}}$
Pulse width error	± max. 25° electrical
Number of pulses	5 ... 1024
Alarm output	NPN-O.C., max. 5 mA
Pulse shape	Square wave

TECHNICAL DATASHEET

Incremental Encoder RI 38

TECHNICAL DATA electrical (continued)

Pulse duty factor 1:1

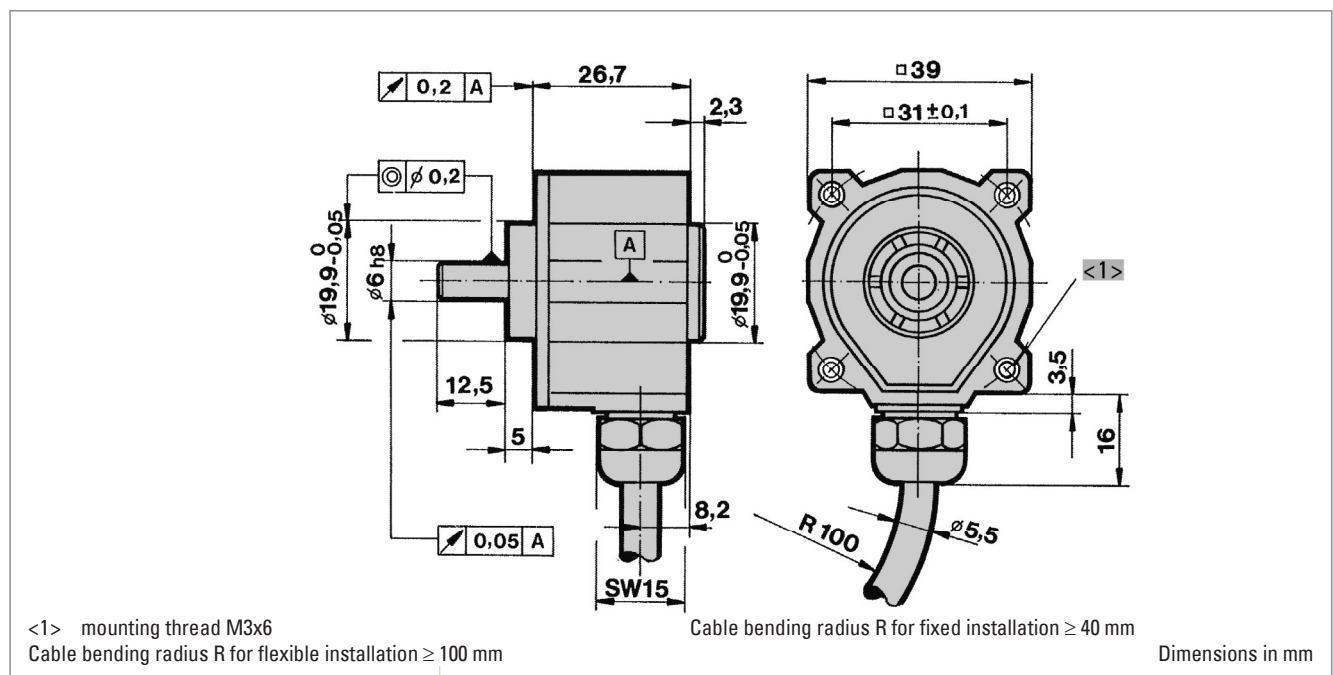
¹ With push-pull (K): pole protection

² Output code "K": short-circuit-proof

ELECTRICAL CONNECTIONS Cable

Description (push-pull)	Lead Ø mm ²	Colour
DC 5 V/ 10 - 30 V	0.5	red
Channel A	0.14	white
Channel B	0.14	green
Channel N	0.14	yellow
GND	0.5	black
Alarm	0.14	yellow/black

DIMENSIONED DRAWINGS



ORDERING INFORMATION

Type	Number of pulses	Supply voltage ¹	Flange, Protection, Shaft	Output ^{2,3}	Connection
<input type="checkbox"/>	<input type="checkbox"/>	<input type="checkbox"/>	<input type="checkbox"/>	<input type="checkbox"/>	<input type="checkbox"/>
RI38	5 ... 1024	A DC 5 V E DC 10 - 30 V	Q.11 Square, IP40, 6 mm	K Push-pull D Push-pull 5V, ± 30 mA	B Cable, radial

¹ DC 10 - 30 V: only with output "K" available

² Output code "K": ± 10 mA at DC 5 V, ± 30 mA at DC 10 - 30 V

³ Output code "K": short-circuit-proof

Manufacturer Part No	Manufacturer Match code
0529104	RI38-O/ 100EQ.11KB
0529110	RI38-O/ 500EQ.11KB

TECHNICAL DATASHEET

Incremental Encoder RI 38

ORDERING INFORMATION
Selection of cable length

Versions with cable outlet (connection A, B, E or F) are available with various lengths of cable. To order your desired cable length, please add the respective code to the end of your ordering code. Further cable lengths on request.

Code	Cable length
without code	1.5 m
-D0	3 m
-F0	5 m
-K0	10 m
-P0	15 m
-U0	20 m
-V0	25 m

TECHNICAL DATASHEET

Incremental Encoder RI 38 Accessories

FLEXIBLE COUPLINGS



Bellows coupling



Helical coupling

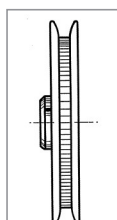


Isolated disk coupling

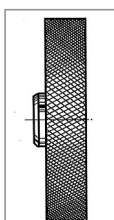


Plastic coupling

MEASURING WHEELS



Tread 1



Tread 2 + 3

		Ordering code
Bellows coupling	6 mm / 6 mm	3 520 068
Helical coupling 19/28	5 mm / 6 mm	3 520 035
Helical coupling 19/28	6 mm / 6.35 mm	3 520 051
Helical coupling 25/32	6 mm / 9.53 mm	3 520 052
Helical coupling 25/32	6 mm / 10 mm	3 520 066
Isolated disk coupling	6 mm / 6 mm	3 520 081
Isolated disk coupling	6 mm / 10 mm	3 520 082
Isolated disk coupling	6 mm / 9.53 mm	3 520 084
Plastic coupling	5 mm / 6 mm	3 520 033
Plastic coupling	6 mm / 6 mm	1 761 026

Tread 1

with rim and fine crosshatched knurl
Applications such as threads and yarns

Tread 2 B

with glued-on rubber profile B = low-wear rubber surface with good grip (white)
Applications such as paper and cardboard, measuring cables, nongreasy metals, fleece, undressed or surface-treated wood, soft and hard plastics

Material	Bore diameter (mm) fitting to encoder shaft	Circumference	Tread	Width of bearing surface	Ordering code
Aluminum	6 mm	0.2 m	1	4 mm	0 601 015
Aluminum	6 mm	0.2 m	2 B	12 mm	0 601 048