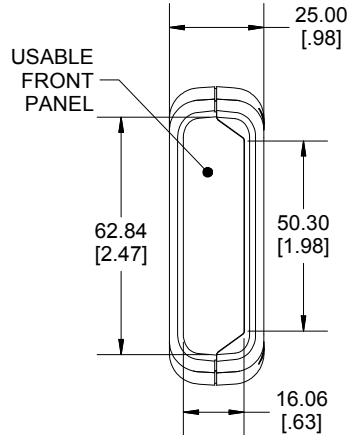
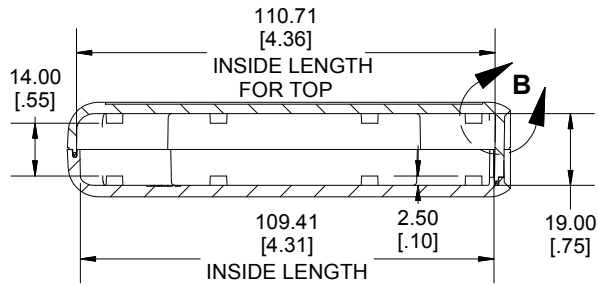
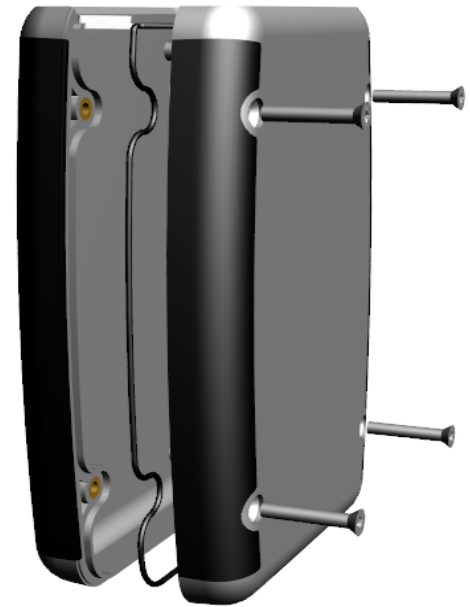


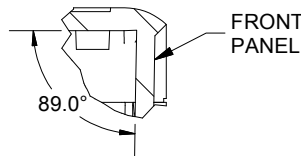
TOP VIEW



FRONT VIEW



**SECTION A-A
SIDE VIEW**



**DETAIL B
SCALE 1 : 1**

Enclosures can be Factory Modified (Milling, Drilling, Printing etc.)
Contact Factory mjm@hammondmfg.com for quotes
Solid models of this enclosure available in STEP or IGES.

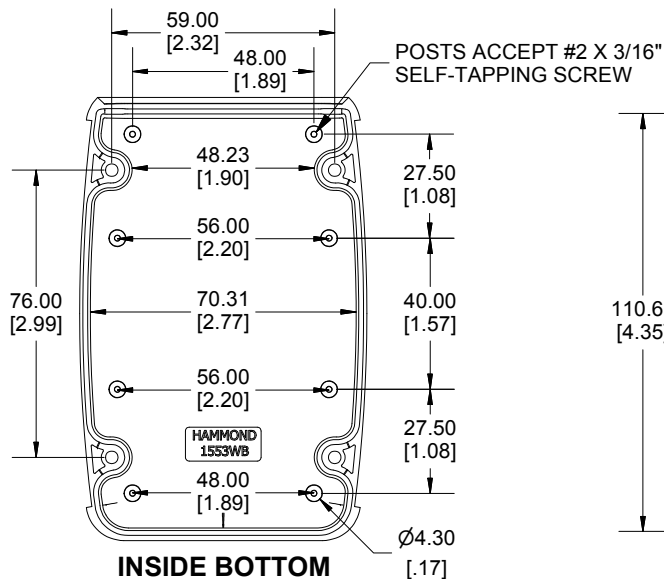
NOTE

Enclosure made from FR ABS (UL 94-V0) plastic.

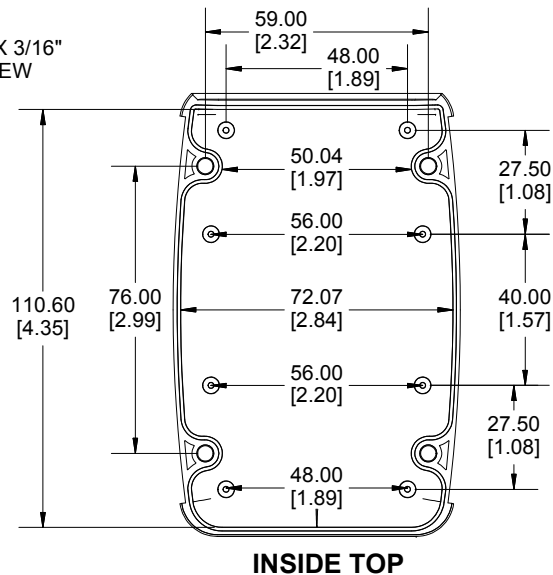
Purchased assembly includes Top, Bottom, Pre-Installed Silicone Gasket,
and 4 Cover Screws. M3 Brass Inserts are Pre-Installed.

Recommended Cover screw torque -- 2.5 lbf-in (30 cN-m)

PART NUMBER	
1553WB Regular Enclosure	
Black Enclosure/Grey Over-mold	1553WBBK
Grey Enclosure/Grey Over-mold	1553WBGY
ACCESSORIES	
Silicone Pre-formed Gaskets (Pkg 2)	1553WBGASKET
Stainless Steel Cover screw (Pkg 100) [M3-0.5 X 18mm]	SC1553WB100BK (Black)
P.C. Board Self Tapping Screw [#2 X 3/16" (6.4mm) Plated]	1551ATS100 (Pkg 100)



INSIDE BOTTOM



INSIDE TOP

Dimensions:
mm
[inches]

