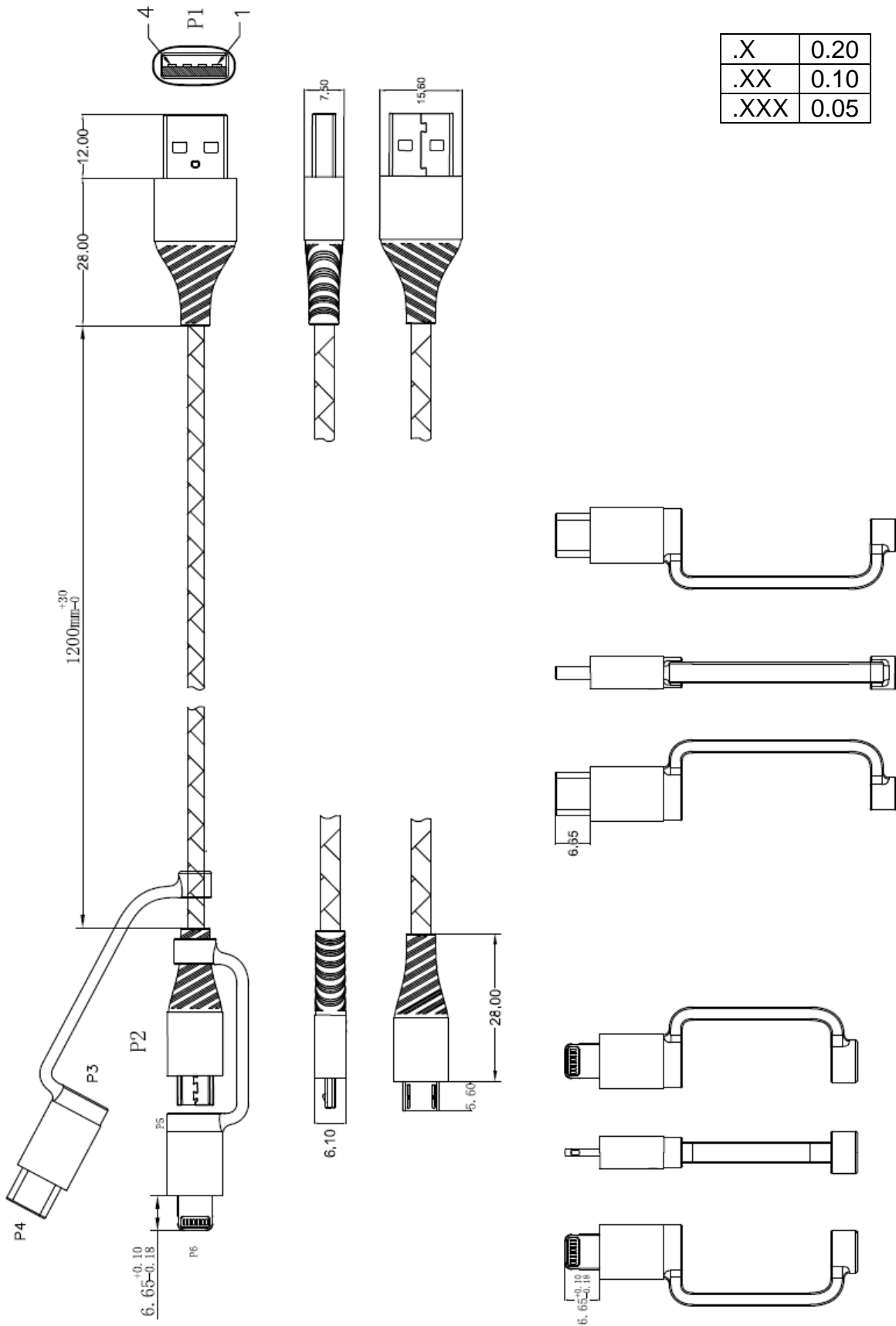


Produktname | *Product name*: Kabel USB zu 3 in 1 | Cable USB to 3 in 1 (120cm)
 Artikelnummer | *Part Number*: 1700-0136
 Anfragenummer | *Inquiry Number*: 810521
 Ersteller / Datum | *Creator / Date*: DC / 01.02.2021

| Version | Änderung / Change | Datum / Date | Name |
|---------|-------------------|--------------|------|
| | | | |
| | | | |
| | | | |
| | | | |
| V0 | --- | 03.02.2021 | DC |

Template name: ANSMANN xxxx-xxxx_0DA, Template version: V49

Zeichnung des Kabels / Drawing of the cable



Technische Daten des USB Daten-Kabels / Technical data of the USB data cable:



| | | | |
|------------------------------------------------|------------------------------------------------------------------|--------------------------------------------------------|------------------------------------------------------------------|
| Eingangsstecker: (P1) | USB Standard Type-A | <i>Input plug: (P1)</i> | <i>USB Standard Type-A</i> |
| Ausgangsstecker: (P2) | Micro USB Type-B | <i>Output plug: (P2)</i> | <i>Micro USB Type-B</i> |
| Adapter von Micro USB Type-B Buchse (P3/5) zu: | - USB Type-C (P4) - Apple Lightning (P6) | <i>Adapter from Micro USB Type-B socket (P3/5) to:</i> | - USB Type-C (P4) - Apple Lightning (P6) |
| USB Type-C Adapter: | Von V _{BUS} zu CC: 56 kΩ | <i>USB Type-C adapter:</i> | <i>From VBUS to CC: 56 kΩ</i> |
| Kabellänge: | 120 cm + 3 cm - 0 cm | <i>Cable length:</i> | <i>120 cm + 3 cm - 0 cm</i> |
| Kabelmantel-Material: | Textilgeflecht (PET) | <i>Cable coating material:</i> | <i>Braided textile (PET)</i> |
| Stecker-Gehäuse-Material: | Metall + PVC | <i>Plug housing material:</i> | <i>Metal + PVC</i> |
| Kabel-Gewicht: | 40 g ± 2 g | <i>Cable weight:</i> | <i>40 g ± 2 g</i> |
| Kabel-Typ: | Lade- und Datenkabel (Datenübertragung und Leistungsübertragung) | <i>Cable type:</i> | <i>Charge- and data cable (data transfer and power transfer)</i> |
| Zertifikat: | MFI | <i>Certificate:</i> | <i>MFI</i> |
| Lagertemperatur: | -20 °C...60 °C | <i>Storage temperature:</i> | <i>-20 °C...60 °C</i> |
| Lieferumfang: | - USB Kabel - Garantiekarte | <i>Shipment:</i> | - USB cable - Warranty card |
| Verpackung: | Farbige Faltschachtel | <i>Package:</i> | <i>Coloured folding box</i> |