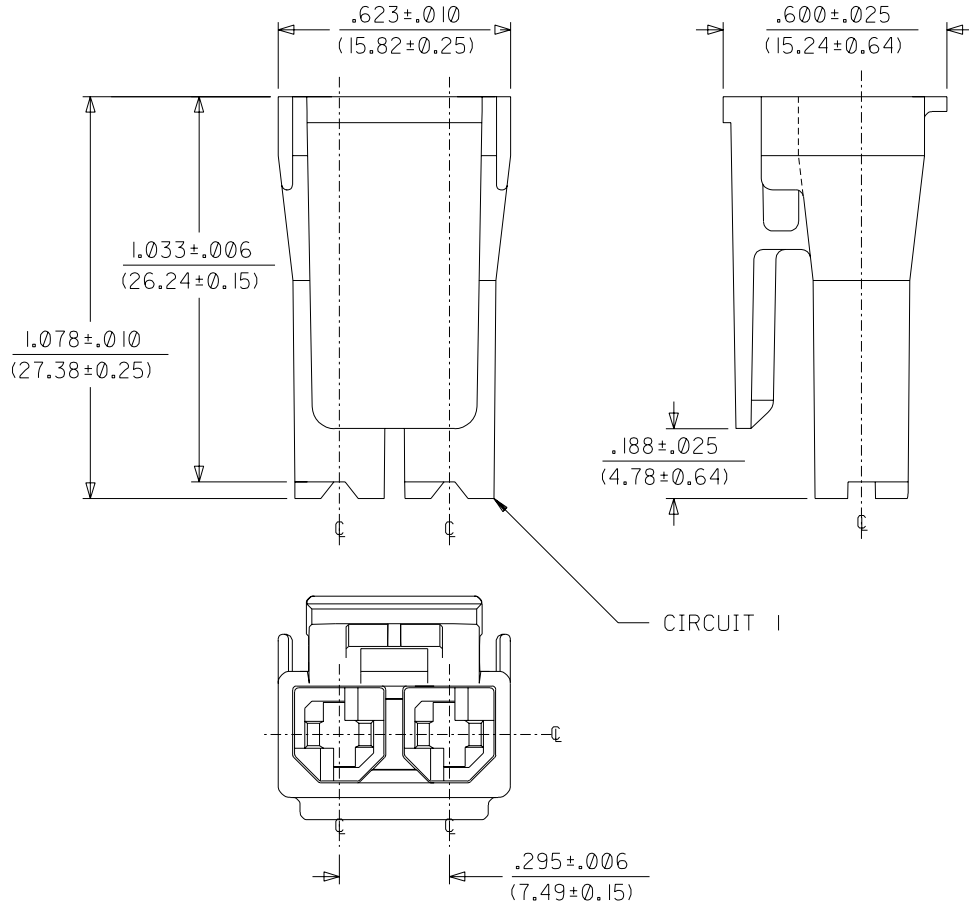
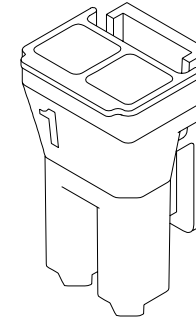


# NOTES:

1. MATERIAL: SEE CHART.
2. THIS CONNECTOR HOUSING FOR USE WITH 43375-\*\*\*\* TERMINALS.
3. THIS CONNECTOR HOUSING WILL MATE TO A-43160-\*\*\*\*2, 43180-\*\*\*\*2, AND 43680-\*\*\*2 HOUSINGS.
4. PRODUCT SPECIFICATION: PSX-44441-9999.
5. PACKAGING: PK-44441-001.



ITEM NUMBER	MATERIAL	COLOR
44441-2002	UL94V-0 NYLON	BLACK
44441-1002	UL94V-2 NYLON	NATURAL (TRANSLUCENT)



44441-\*002  
(NO SCALE)

REV.	DESCRIPTION
D1	ADD V-2 VERSION UCP 2004-2000 BW 9-20-04
D	REVISED PER UCR2004-1739 04/03/10 MSC
C	REVISED PER UCR1999-0340 98/11/30 LENZ
B2	REVISED PER ECN# U71442 97/05/21 KBP
B1	REVISED PER ECR #U70915 MARANTO 97/02/06
B	REVISED PER ECR #U70564 MARANTO 97/01/15
A1	REVISED PER ECN# U70029 96/07/12 KSM
A	REMOVE "X" PER ECN# U60363 95/09/18 MAB

DIMENSIONS SHOWN (METRIC) INCH		MFG. SH.		REV.	LTR.	REVISIONS																			
UNLESS OTHERWISE SPECIFIED TOLERANCES: ANGULAR $\pm 1/2^\circ$		= 0		= 0		REVISE ONLY ON CAD SYSTEM																			
<table border="1"> <thead> <tr> <th></th> <th>INCH</th> <th>METRIC</th> </tr> </thead> <tbody> <tr> <td>3 PLACE</td> <td><math>\pm .005</math></td> <td>---</td> </tr> <tr> <td>2 PLACE</td> <td><math>\pm .01</math></td> <td><math>\pm 0.13</math></td> </tr> <tr> <td>1 PLACE</td> <td>---</td> <td><math>\pm 0.25</math></td> </tr> </tbody> </table>			INCH	METRIC	3 PLACE	$\pm .005$	---	2 PLACE	$\pm .01$	$\pm 0.13$	1 PLACE	---	$\pm 0.25$	<table border="1"> <tr> <td>FILE NAME</td> <td>SEE CHART</td> <td>DATE</td> <td>95/09/18</td> </tr> <tr> <td>DRWG. NO.</td> <td>SD-44441-*002</td> <td>SHEET NO.</td> <td>1 OF 1</td> </tr> </table>				FILE NAME	SEE CHART	DATE	95/09/18	DRWG. NO.	SD-44441-*002	SHEET NO.	1 OF 1
	INCH	METRIC																							
3 PLACE	$\pm .005$	---																							
2 PLACE	$\pm .01$	$\pm 0.13$																							
1 PLACE	---	$\pm 0.25$																							
FILE NAME	SEE CHART	DATE	95/09/18																						
DRWG. NO.	SD-44441-*002	SHEET NO.	1 OF 1																						
DRAFT WHERE APPLICABLE MUST REMAIN WITHIN DIMENSIONS		MOLEX INCORPORATED LISLE, ILL. 60532 U.S.A.		MOLEX INCORPORATED LISLE, ILL. 60532 U.S.A.																					
DRWG. BY: MAB	CHK'D. BY: KBP	PART NO. 44441-2002		DRWG. NO. SD-44441-*002																					
APP'D. BY: RAS	SCALE: 3:1	FILE NAME: S4444121 DGN		THIS DRAWING CONTAINS INFORMATION THAT IS PROPRIETARY TO MOLEX INC. AND SHOULD NOT BE USED WITHOUT WRITTEN PERMISSION.																					
		DIV. CP		SIZE B																					