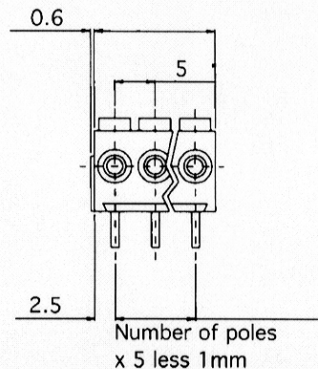
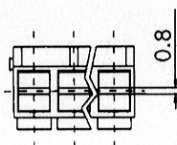
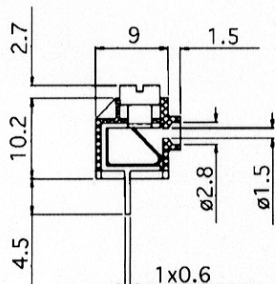


Order code	Manufacturer code	Description
21-2626	n/a	2 WAY 6A SCREWLESS TERMINAL BLOCK (RC)
21-2627	n/a	3 WAY 6A SCREWLESS TERMINAL BLOCK (RC)
21-2628	n/a	8 WAY 6A SCREWLESS TERMINAL BLOCK (RC)

	Page 1 of 2
The enclosed information is believed to be correct, Information may change 'without notice' due to product improvement. Users should ensure that the product is suitable for their use. E. & O. E.	Revision A 04/07/2003

SERIES 690T

5MM PITCH - PUSH BUTTON - SIDE ENTRY



SECTION 2F

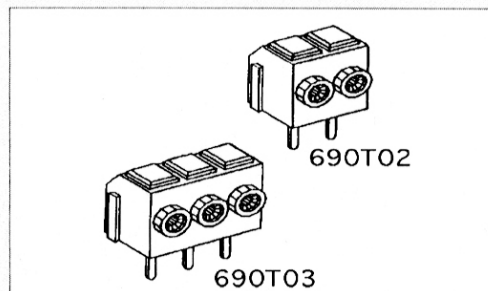
SCREWLESS AND IDC
PRINTED CIRCUIT
CONNECTORS

FEATURES

Series 690T are 5mm pitch, side entry, screwless connectors with push button release. They are available in 2 and 3 pole versions which have interlocking dovetails to enable longer lengths to be assembled.

Supplied as 2 or 3 pole modules, or to pre-assembled required lengths.

Please note. Only solid or tinned stranded conductors should be used in screwless connectors.



TECHNICAL DATA

Mouldings:	PBT, UL94 V0 Grey body, yellow push buttons
Inserts & solder pins:	Brass, electro tinned
Contact spring:	Stainless steel
Current rating:	6 amp
Conductor size:	1mm to 1.5mm ²
Maximum working temp:	120°C

OPTIONS

Marking: special printing available. Please provide sketch.



PART NUMBER CODE

Enter number of poles required

690T - - - - -