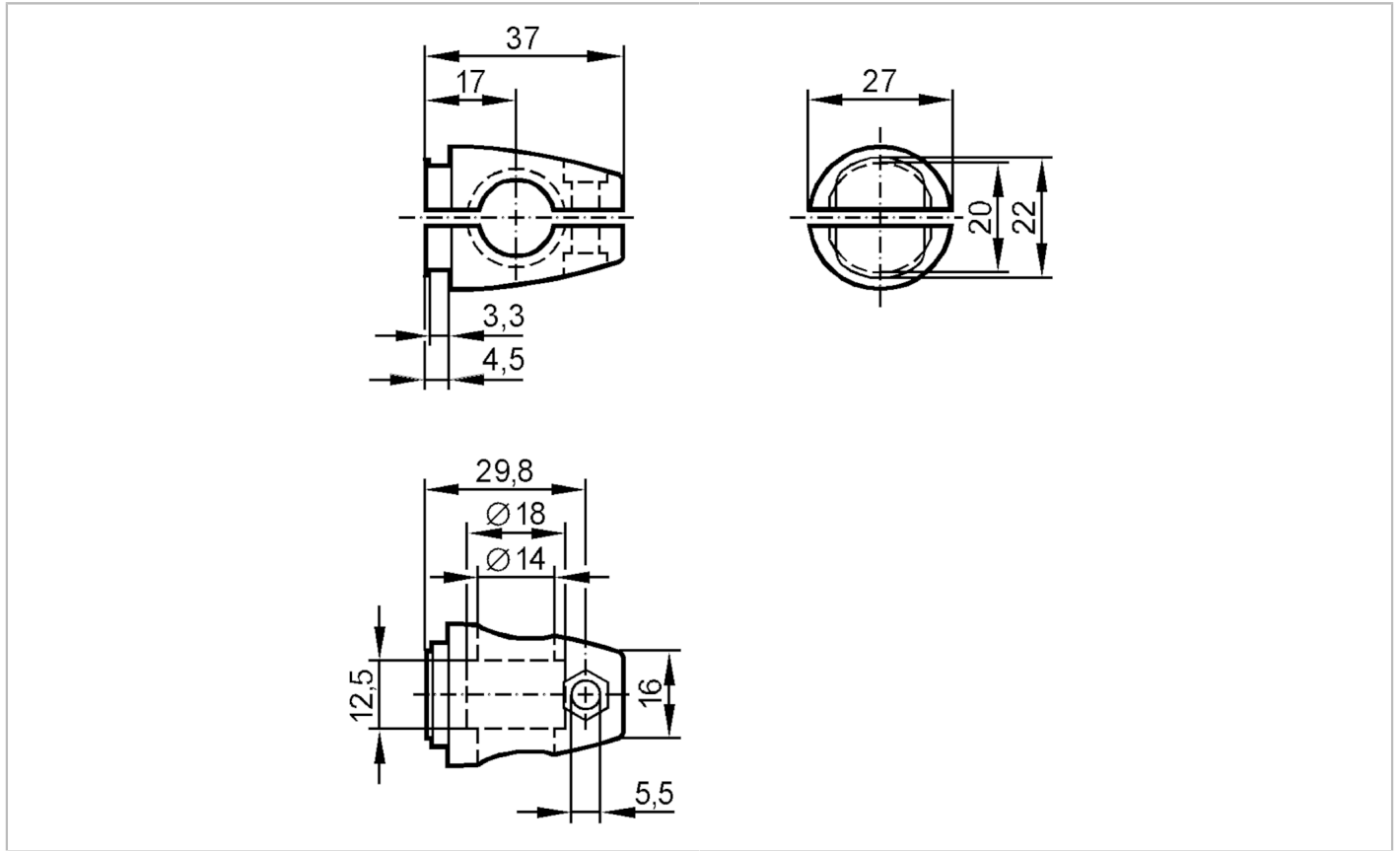


E21109



Clamp

SYSTEM COMPONENT CLAMP BOLT



Mechanical data	
Weight [g]	80.5
Type of mounting	Mounting rod; (Ø 14 mm)
Dimensions [mm]	M12
Thread designation	M12
Materials	Clamp: stainless steel (1.4408)
Remarks	
Pack quantity	1 pcs.