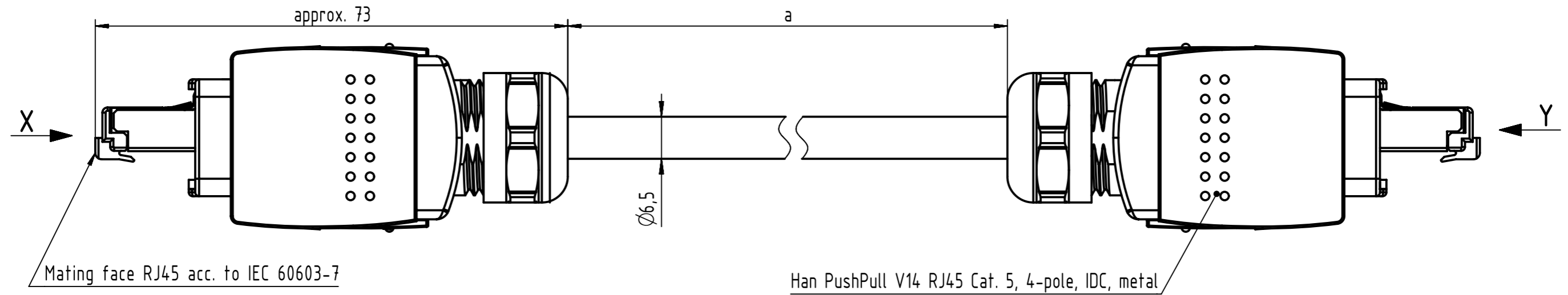


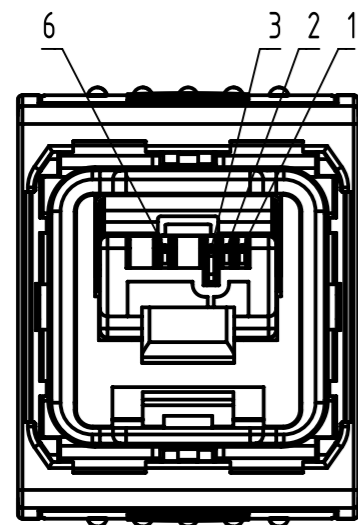
Connector Location A

Connector Location B

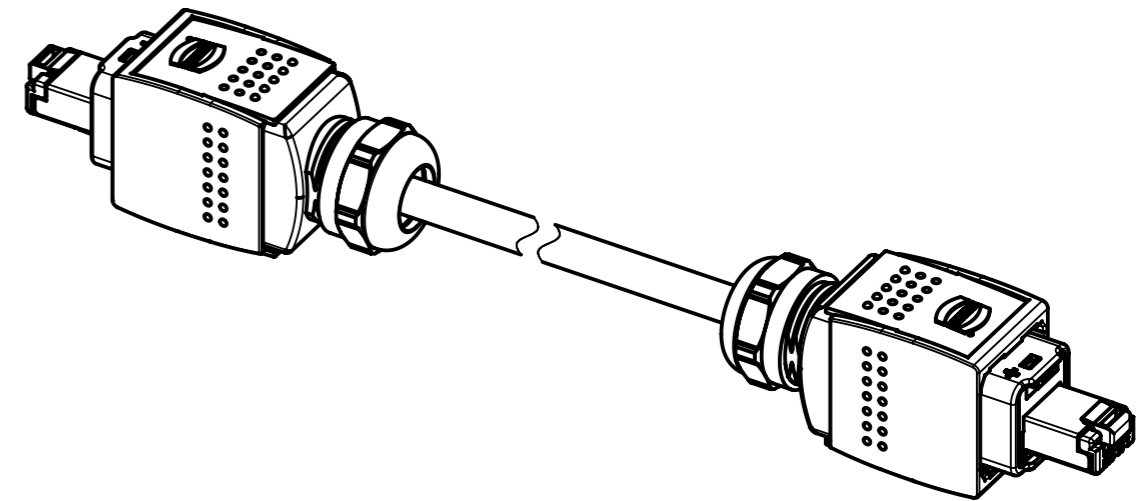
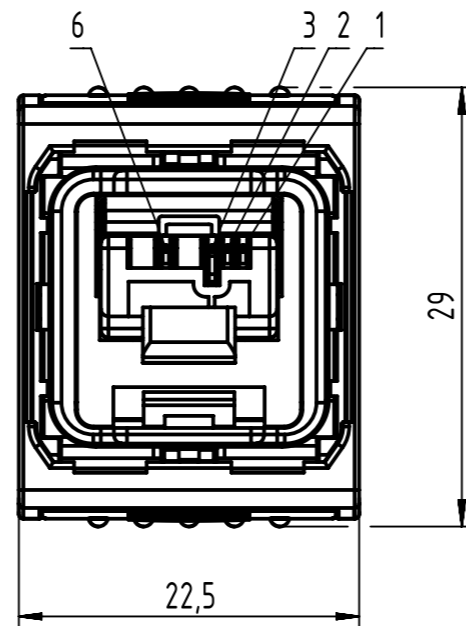
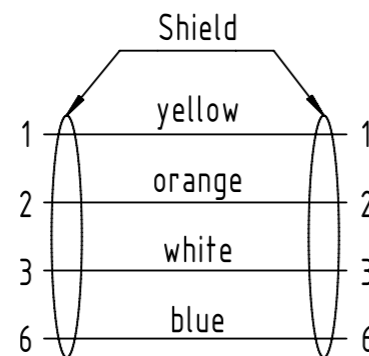


X
male

Y
male

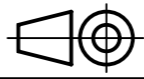



Loading Plan




- Protection level: IP65/67
- Temperature range: -40°C ... +70°C

	All rights reserved Department HCS - RO HARTING Customised Solutions D-32339 Espelkamp	All Dimensions in mm	Tech. Character.	Free size tol.	According to production drawing
		Created by STOCHECIC Stocheci	Inspected by COSTEA Costea	Standardisation MUNTEANV Muntean	Date 2019-09-04
		Title RJ Industrial Cable Assembly			Doc-Key / ECM-Nr. 100155397/UGD/006/C 500000157673
		Type TB	Number 09475656XXX		Rev. C Page 1/3

	1	2	3	4	5	6	7	8			
A	44	09475656052	RJl Ethernet Stranded Cable, 4xAWG 22/7, PVC, Cat. 5+, green	100	88	09475656112	RJl Ethernet Stranded Cable, 4xAWG 22/7, PVC outdoor, Cat. 5+, black	100			
	43	09475656051		90	87	09475656111		90			
	42	09475656050		80	86	09475656110		80			
	41	09475656049		70	85	09475656109		70			
	40	09475656048		60	84	09475656108		60			
	39	09475656047		50	83	09475656107		50			
	38	09475656046		40	82	09475656106		40			
	37	09475656045		30	81	09475656105		30			
	36	09475656044		20	80	09475656104		20			
	35	09475656043		15	79	09475656103		15			
	34	09475656042		10	78	09475656102		10			
	33	09475656041		9	77	09475656101		9			
	32	09475656040		8	76	09475656100		8			
	31	09475656039		7	75	09475656099		7			
	30	09475656038		6	74	09475656098		6			
	29	09475656037	5	73	09475656097	5					
	28	09475656036	4	72	09475656096	4					
	27	09475656035	3	71	09475656095	3					
	26	09475656034	2	70	09475656094	2					
	25	09475656033	1.5	69	09475656093	1.5					
	24	09475656032	1	68	09475656092	1					
	23	09475656031	0.5	67	09475656091	0.5					
	D	22	09475656022	RJl Ethernet Standard Cable, 4xAWG 22/1, PVC, Cat. 5+, green	100	66	09475656082	RJl Ethernet Trailing Cable, 4xAWG 22/7, PUR, Cat. 5+, green	100		
		21	09475656021		90	65	09475656081		90		
		20	09475656020		80	64	09475656080		80		
		19	09475656019		70	63	09475656079		70		
		18	09475656018		60	62	09475656078		60		
		17	09475656017		50	61	09475656077		50		
		16	09475656016		40	60	09475656076		40		
		15	09475656015		30	59	09475656075		30		
		14	09475656014		20	58	09475656074		20		
13		09475656013	15		57	09475656073	15				
12		09475656012	10		56	09475656072	10				
11		09475656011	9		55	09475656071	9				
10		09475656010	8		54	09475656070	8				
9		09475656009	7		53	09475656069	7				
8		09475656008	6		52	09475656068	6				
E	7	09475656007	RJl Ethernet Standard Cable, 4xAWG 22/1, PVC, Cat. 5+, green	5	51	09475656067	RJl Ethernet Trailing Cable, 4xAWG 22/7, PUR, Cat. 5+, green	5			
	6	09475656006		4	50	09475656066		4			
	5	09475656005		3	49	09475656065		3			
	4	09475656004		2	48	09475656064		2			
	3	09475656003		1.5	47	09475656063		1.5			
	2	09475656002		1	46	09475656062		1			
	1	09475656001		0.5	45	09475656061		0.5			
	F	Cont. no.		Part no.	Type of cable	Dim. a[m]		Cont. no.	Part no.	Type of cable	Dim. a[m]
					 All Dimensions in mm Tech. Character. Free size tol. According to production drawing						
					 All rights reserved Created by STOCECIC Stocheci Inspected by COSTEA Costea Standardisation MUNTEANV Muntean Date 2019-09-04 State Final Release						
					HARTING Customised Solutions D-32339 Espelkamp						
					Title RJ Industrial Cable Assembly Type TB Number 09475656XXX Doc-Key / ECM-Nr. 100155397/UGD/006/C 500000157673 Rev. C Page 2/3						

	1	2	3	4	5	6	7	8
A								
B								
C								
D								
E								
F								

Cont. no.	Part no.	Type of cable	Dim. a[m]
	110	HARTING PROFINET Type C, Torsional Stress Cable, 4xAWG 22/19, PUR, Cat. 5, green	100
	109		90
	108		80
	107		70
	106		60
	105		50
	104		40
	103		30
	102		20
	101		15
	100		10
	99		9
	98		8
	97		7
	96		6
	95		5
	94		4
	93		3
	92		2
	91		1.5
	90	1	
	89	0.5	

	All rights reserved	Created by STOCHECIC Stochechi	Inspected by COSTEA Costea	Standardisation MUNTEANV Muntean	Date 2019-09-04	State Final Release
	Department HCS - RO	Title RJ Industrial Cable Assembly			Doc-Key / ECM-Nr. 100155397/UGD/006/C 500000157673	
HARTING Customised Solutions D-32339 Espelkamp		Type TB	Number 09475656XXX		Rev. C	Page 3/3