



PRODUCTS

Magnetic Joysticks

HFX Panel Mount Magnetic Joystick Information and Specifications

Designed for applications requiring a rugged, durable joystick, the HFX incorporates automotive quality non-contacting Hall Effect sensors and solid magnets in a small, compact housing. A durable rubber boot and secondary gasket provide for a watertight (IP65) seal when properly mounted. The precision-ground .25 inch (6.35mm) stainless steel shaft and stainless steel pivot pins offer impressive strength and corrosion resistance. Available in single, dual, and three-axis models with or without push-buttons, the HFX joystick is ideal as a control for both stepping motors and servo motors.

The HFX joystick is truly the next generation of small magnetic joysticks and is meant as a replacement for older inductive coil joysticks, which have remained basically unchanged since their introduction in the late 1970s. The primary problem with the inductive coil joystick is that it is inherently susceptible to both radio frequency interference (RFI) and electromagnetic interference (EMI). By using industry-proven Hall Effect sensors and high-grade solid magnets, the HFX line of products is practically impervious to RFI and EMI distortions. The HFX joystick is also form-fit-function compatible with most major brands of inductive coil joysticks. This means that it will easily fit into the same panel cut-outs using the same mounting holes.

Typical Applications:

- | | | |
|----------------------------|----------------------------------|---------------------|
| -Power Wheelchair Controls | -Automated Conveyor Systems | -Hydraulic Controls |
| -Scissor Lift Platforms | -Construction and Farm Equipment | -Forklifts |

Electrical Specifications:

- | | |
|--|-------------------------------------|
| Supply Voltage: 5.0V | Typical: Vdd=5V |
| Supply Current: 2-Axis = 4.8mA Min to 11.0mA Max | Typical: 8mA |
| Supply Current: 3-Axis = 7.2mA Min to 16.5mA Max | Typical: 12mA |
| Resolution: Infinite | Response: 40-80uSec |
| Output Current: ± 2 mA | Center Voltage: 2.5V (± 10 mV) |

Electrical MTBF (mean time between failures): 1,000,000 operational (power on) hours

Output Voltage Option 0: 0V Min to 5V Max (full range rail to rail) $\pm 2\%$

Output Voltage Option 1: 0.5V Min to 4.5V Max (fault range = < 0.5 V or > 4.5 V) $\pm 2\%$

Output Voltage Option 2: 0.25V Min to 4.75V Max (fault range = < 0.25 V or > 4.75 V) $\pm 2\%$

Output Voltage Option 3: 2V Min to 3V Max ($\pm 10\%$ of Vdd) $\pm 2\%$

Note: The fault range is controlled by a clamping circuit in the Hall Effect sensor which limits the output voltage to a pre-set range.

Physical Specifications:

- | | |
|---|---|
| Joystick Travel: 40° ($\pm 20^\circ$) | Centering: single spring, omnidirectional |
| Panel Thickness: .046 to .125in (1.17 to 3.17mm) | Return to Center Repeatability: $\pm 0.5\%$ |
| Housing: high impact glass-filled nylon | Shaft: .25 inch (6.35mm) diameter, stainless steel |
| Handle: thermoset phenolic (model 100) | Boot & Gasket: thermoplastic rubber |
| Breakout Force: X/Y axes = 1.25N nominal | Operation Force: X/Y axes = 2.25N nominal |
| Weight: two-axis with ball handle = .2 lbs (.091 kg) | Weight: three-axis with 1 button = .215 lbs (.098 kg) |
| Environmental: sealed to IP65 above panel | Flammability Rating: 94HB |
| Operating Temperature: -25°C to 85°C | Storage Temperature: -55°C to 165°C |
| Mechanical MTBF (mean time between failure): 15,000,000 cycles under normal use | |

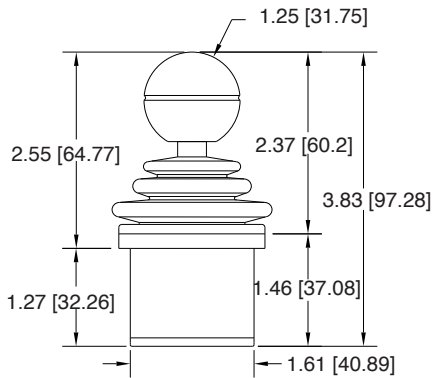
970 Park Center Drive
Vista, CA 92083
tel 760.598.2518
fax 760.598.2524
oemsales@chproducts.com
www.chproducts.com



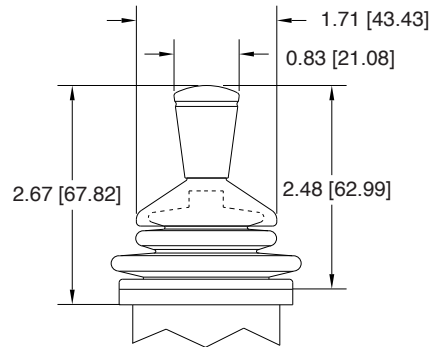
PRODUCTS

Magnetic Joysticks

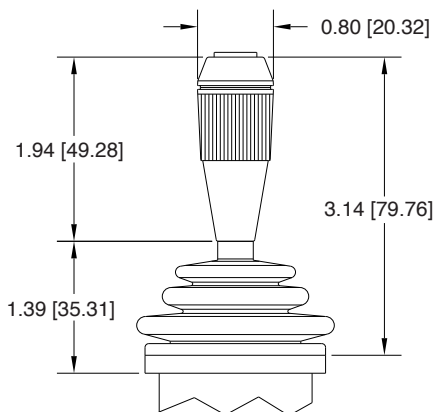
Model 100, 200, 300, 400 handle line drawings



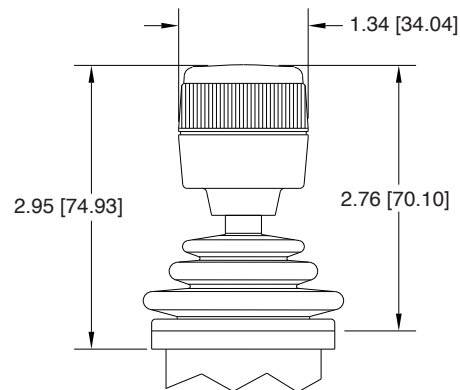
Model 100 - Option 0 (2 axis)



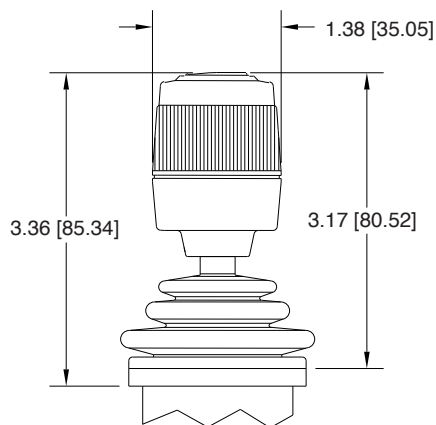
Model 100 - Option 1 (2 axis)



Model 200 - Option 2 (2 axis with button)



Model 300 - Option 3 (3 axis)



Model 400 - Option 4 (3 axis with button(s))

- Notes: 1. Third axis (Z) twist handle incorporates Hall effect sensor.
2. Above panel dimensions are the same for both option 4 and option 5 handles.

970 Park Center Drive
Vista, CA 92083
tel 760.598.2518
fax 760.598.2524
oemsales@chproducts.com
www.chproducts.com



PRODUCTS

Magnetic Joysticks

Magnetic joystick pictures



Model 100
Option 0
(2 axis-Ball tip)

Model 100
Option 1
(2 axis-Tapered)

Model 200
Option 2
(2 axis with
pushbutton)

Model 300
Option 3
(3 axis)

Model 400
Option 4
(3 axis with
1 pushbutton)

Model 400
Option 5
(3 axis with
2 pushbuttons)

970 Park Center Drive
Vista, CA 92083
tel 760.598.2518
fax 760.598.2524
oemsales@chproducts.com
www.chproducts.com

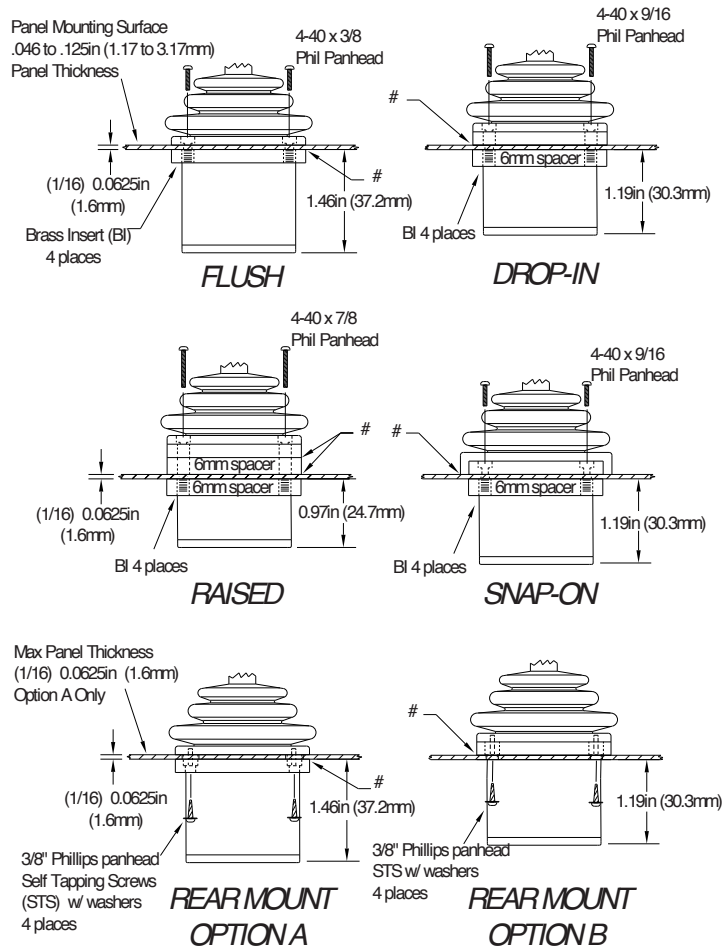


PRODUCTS

Magnetic Joysticks

HFX Joystick mounting option line drawings

Mounting Options: In order to suit a variety of integration requirements, the HFX joystick offers six different mounting options from which to choose.



Notes: 1) # indicates suggested position for optional gasket
2) Mounting screws are included with each unit

970 Park Center Drive
Vista, CA 92083
tel 760.598.2518
fax 760.598.2524
oemsales@chproducts.com
www.chproducts.com



PRODUCTS

Magnetic Joysticks

HFX Joystick limiter plate options

The limiter plates are used to determine the deflection pattern of the HFX joystick.

Max Deflection
40° (+/-20°)

Square 

Diamond 

Circle 

Slotted
(Single Axis) 

Plus 

Cross
(X) 

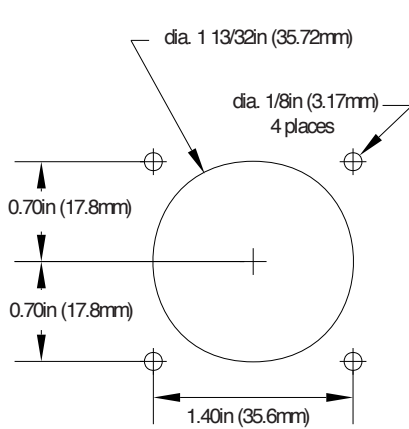
970 Park Center Drive
Vista, CA 92083
tel 760.598.2518
fax 760.598.2524
oemsales@chproducts.com
www.chproducts.com



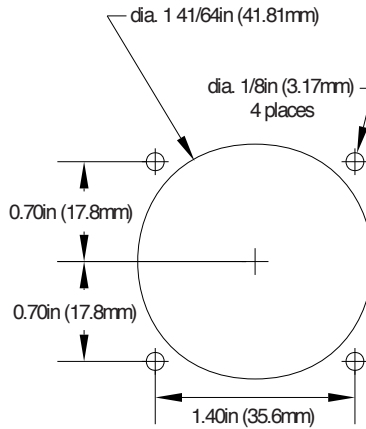
PRODUCTS

Magnetic Joysticks

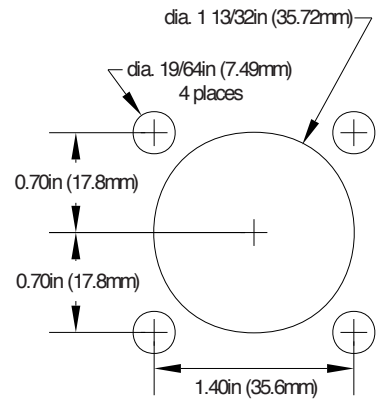
HFX Joystick mounting cutout dimension line drawings



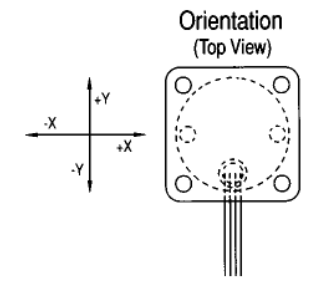
*Outout Dimensions for
Flush Mount*



*Outout Dimensions for
Drop-in, Raised, Snap-on,
and Rear Mount Option B*



*Outout Dimensions for
Rear Mount Option A*



970 Park Center Drive
Vista, CA 92083
tel 760.598.2518
fax 760.598.2524
oemsales@chproducts.com
www.chproducts.com



Magnetic Joysticks

PRODUCTS

Part Number, Configuration & Feature Availability Guide (select one key option from each description field)

Description Field	Key	Feature	Feature Availability			
Model	HFX-1	Mod. 100, 2 axis	100			
	HFX-2	Mod. 200, 2 axis with pushbutton		200		
	HFX-3	Mod. 300, 3 axis			300	
	HFX-4	Mod. 400, 3 axis with pushbutton(s)				400
Joystick Handle	0	Ball Tip	X			
	1	Tapered (see Note 3)	X			
	2	2 axis with pushbutton		X		
	3	3 axis			X	
	4	3 axis with 1 pushbutton				X
	5*	3 axis with 2 pushbuttons				X
Limiter Plate	S	Square	X	X	X	X
	D	Diamond	X	X	X	X
	R	Round	X	X	X	X
	M	Slotted "-" (Single Axis)	X	X	X	X
	P	Plus "+"	X	X	X	X
	X	Cross "x"	X	X	X	X
Mounting Option	0	Flush	X	X	X	X
	1	Drop In	X	X	X	X
	2*	Raised	X	X	X	X
	3	Snap On	X	X	X	X
	4	Rear Mount	X	X	X	X
Output Option	0	0V to +5V Rail to Rail	X	X	X	X
	1	+0.5V to +4.5V with Fault Detection	X	X	X	X
	2	+0.25V to +4.75V with Fault Detection	X	X	X	X
	3	+2V to +3V	X	X	X	X

- Notes: (1) X denotes availability of features
 (2) * denotes additional charge - see pricing information
 (3) Tapered handle is not compatible with either the Flush or Rear Mount Option A mounting options
 (4) Customers desiring options not listed should contact factory representative
 (5) Example: Joystick Part Number HFX-11D11 is
 HFX Model 100, 2 axis joystick with tapered handle, diamond limiter plate,
 drop-in mounting, and +0.5V to +4.5V output with fault detection

970 Park Center Drive
 Vista, CA 92083
 tel 760.598.2518
 fax 760.598.2524
 oemsales@chproducts.com
 www.chproducts.com