

Specifications

Mechanical:

Mechanical Life : 2,000 operations
 Max. Operating Force : 1,000gf
 Stroke : 0.8mm
 Operating Temperature : -20°C to +85°C
 Storage Temperature : -40°C to +85°C

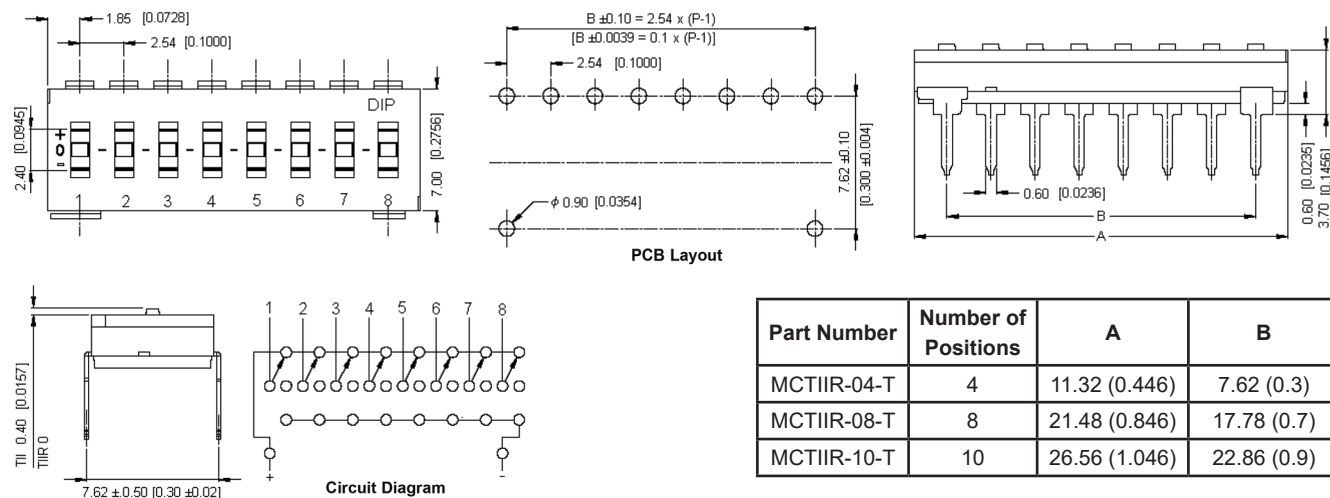
Electrical:

Electrical Life : 2,000 cycles.
 Rating : 25mA, 24V DC
 Max. Contact Resistance : 100mΩ.
 Dielectric Strength : 500V AC/1 minute
 Circuit : 3 switching positions

Material:

Base and Cover : UL 94V-0 Nylon high temperature thermoplastic; Colour : Black
 Actuators : UL 94V-0 LCP high temperature thermoplastic; Colour : White
 Contact : Alloy copper with gold plated.
 Terminal : Brass with gold plated.
 Tape : Kapton

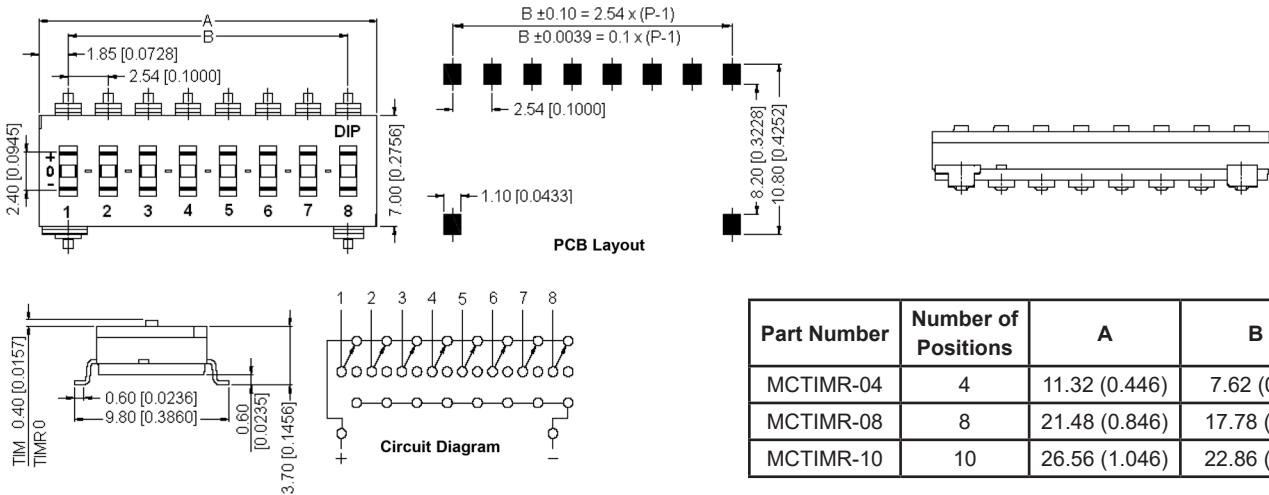
Diagram



Dimensions : Millimetres (Inches)

Newark.com/multicomp-pro
 Farnell.com/multicomp-pro
 Element14.com/multicomp-pro

MCTIMR



Part Number	Number of Positions	A	B
MCTIMR-04	4	11.32 (0.446)	7.62 (0.3)
MCTIMR-08	8	21.48 (0.846)	17.78 (0.7)
MCTIMR-10	10	26.56 (1.046)	22.86 (0.9)

Dimensions : Millimetres (Inches)

Soldering Process

Wave soldering : Recommended solder temperature at 500°F (260°C) maximum 5 seconds for through hole type.

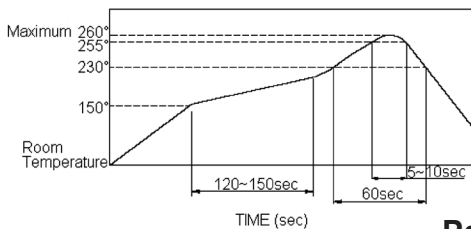
Hand soldering : Use a soldering iron of 30 watts, controlled at 350°C approximately maximum 5 seconds while applying.

Reflow soldering : When applying reflow soldering, the peak temperature or the reflow oven should be set at 260°C maximum.

Do not wash the switch body except top tape sealed type, which suitable for spray cleaning method from top of the s/w.

Any flux enters the switch may fail the conductivity.

Reflow Temperature Profile



Part Number Table

Description	Part Number
DIP / SIP Switch, 4 Circuits, Slide, Through Hole, 24V DC, 25mA	MCTIIR-04-T
DIP / SIP Switch, 8 Circuits, Slide, Through Hole, 24V DC, 25mA	MCTIIR-08-T
DIP / SIP Switch, 10 Circuits, Slide, Through Hole, 24V DC, 25mA	MCTIIR-10-T
DIP / SIP Switch, 4 Circuits, Slide, SMT Type, 24V DC, 25mA	MCTIMR-04
DIP / SIP Switch, 8 Circuits, Slide, SMT Type, 24V DC, 25mA	MCTIMR-08
DIP / SIP Switch, 10 Circuits, Slide, SMT Type, 24V DC, 25mA	MCTIMR-10

Important Notice : This data sheet and its contents (the "Information") belong to the members of the AVNET group of companies (the "Group") or are licensed to it. No licence is granted for the use of it other than for information purposes in connection with the products to which it relates. No licence of any intellectual property rights is granted. The Information is subject to change without notice and replaces all data sheets previously supplied. The Information supplied is believed to be accurate but the Group assumes no responsibility for its accuracy or completeness, any error in or omission from it or for any use made of it. Users of this data sheet should check for themselves the Information and the suitability of the products for their purpose and not make any assumptions based on information included or omitted. Liability for loss or damage resulting from any reliance on the Information or use of it (including liability resulting from negligence or where the Group was aware of the possibility of such loss or damage arising) is excluded. This will not operate to limit or restrict the Group's liability for death or personal injury resulting from its negligence. Multicomp Pro is the registered trademark of Premier Farnell Limited 2019.