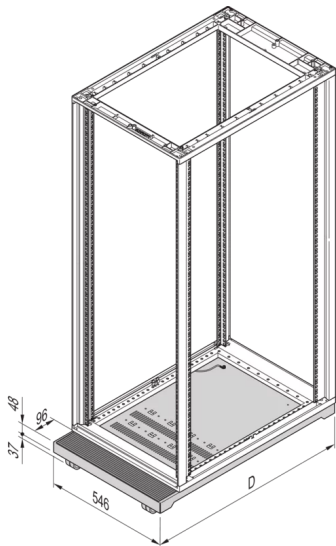


27230-147 NOVASTAR MOBILE PLINTH, 553W 600D



KEY FEATURES

St, 2 mm

4 castors

Rubber mat, 3 mm

Load-carrying capacity 200 kg

Base/plinth height H = 100 mm

PRODUCT ATTRIBUTES

Product Type: Cabinet/Rack Base

Product Family: Novastar

Type: Base Plinth

Color: Black Grey

Color Code: RAL 7021

Width: 553 mm

Depth: 600 mm

ADDITIONAL PRODUCT DETAILS

Aluminum mobile base plinth with load capacity of 200 kg, for aluminum cabinets with 600 mm breadth.

CERTIFICATIONS



North America

All locations
+1.763.422.2661
Chat with us:
schroff.nvent.com

Europe

Straubenhardt, Germany
+49.7082.794.0
Betschdorf, France
+33.3.88.90.64.90
Warsaw, Poland
+48.22.209.98.35
Assago, Italy
+39.02.932.7141
Chat with us:
schroff.nvent.com

Asia

Shanghai, China
+86.21.2412.6943
Qingdao, China
+86.532.8771.6101
Singapore
+65.6768.5800
Shin-Yokohama, Japan
+81.45.476.0271
Chat with us:
schroff.nvent.com

Middle East & India

Dubai, United Arab Emirates
+971.4.378.1700
Bangalore, India
+91.80.6715.2001
Istanbul, Turkey
+90.216.250.7374
Chat with us:
schroff.nvent.com



Our powerful portfolio of brands:
nVent.com **CADDY ERICO HOFFMAN RAYCHEM SCHROFF TRACER**

© 2023 nVent. All nVent marks and logos are owned or licensed by nVent Services GmbH or its affiliates. All other trademarks are the property of their respective owners.

nVent reserves the right to change specifications without notice.