

# DOOR SWITCH

## DS 013



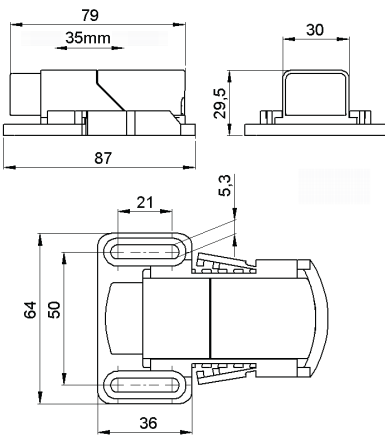
- > Adjustable positioning without tools
- > High switching capacity
- > Strain relief
- > Different cladding diameters
- > Suitable for lamp LED 025

The door switch monitors the position of cabinet doors and is available in three versions. For example, it can be used for switching a light when opening a door (NC), or to activate a fan when closing a door (NO). The version with change-over contact (CO) can be used as a normally closed and/or normally open contact. The wide mechanical adjustment range of the door switch DS 013 offers versatile application areas: the housing is adjustable within a 35 mm range, while the screw flange with a slotted hole offers an additional 21 mm. The switching travel of the switch itself is another 8 mm.

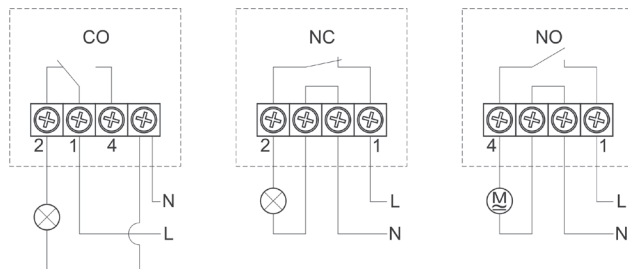


### TECHNICAL DATA

|                               |  |
|-------------------------------|--|
| Max. switching capacity       | AC 250 V, 8 (1.5) A  |
| Service life                  | VDE: > 10,000 cycles<br>UL: > 6,000 cycles                   |
| Connection                    | 4-pole clamp with strain relief, clamping torque 0.5 Nm max. |
| Mounting                      | screw fixing (M5)  |
| Casing                        | plastic according to UL94 V-0, grey/black                    |
| Dimensions                    | 87 x 64 x 30 mm  |
| Weight                        | approx. 50 g   |
| Fitting position              | variable   |
| Operating/Storage temperature | -20 to +85 °C (-4 to +185 °F)                                |
| Operating/Storage humidity    | max. 90 % RH (non-condensing)                                |
| Protection type               | IP20   |
| Approvals                     | VDE, EAC; UL intended  |



Connection diagrams



| Art. No.   | Model                | Suitable wire  |
|------------|----------------------|--|
| 01350.0-00 | change-over (CO)     | Cable round, stranded wire (with wire end ferrule) 0.75 mm <sup>2</sup> to 1 mm <sup>2</sup>   |
| 01351.0-00 | normally closed (NC) | Cable round, stranded wire (with wire end ferrule) 0.75 mm <sup>2</sup> to 1.5 mm <sup>2</sup> |
| 01352.0-00 | normally open (NO)   | Cable round, stranded wire (with wire end ferrule) 0.75 mm <sup>2</sup> to 1.5 mm <sup>2</sup> |