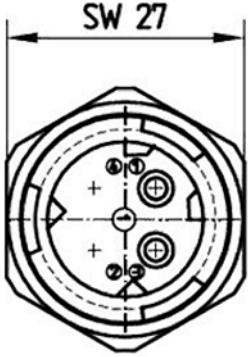
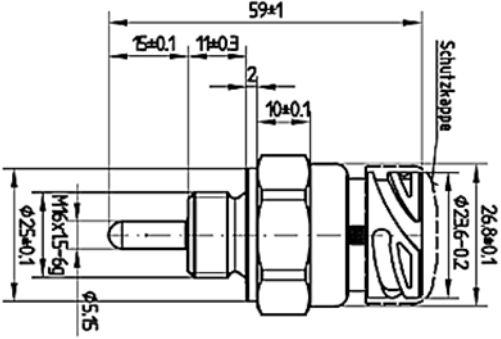


# Temperature sensor

## 94121



Connector		Dimensions	
			
<b>Media</b>	Liquid media e.g. water, oil, fuel	<b>Thread</b>	M16 x 1.5
<b>Nominal resistance NTC</b>	2,050 Ω (25 °C), 186 Ω (100 °C) *	<b>Connector</b>	DIN Bajonett (DIN 72585), Female connector on request
<b>Nominal resistance PTC</b>	1000 Ω (0°C)	<b>Protection range</b>	IP 6K6K / 6K7 / 6K8 / 6K9K
<b>Temperature range</b>	- 40 °C to + 155 °C	<b>Order number</b>	9412100900
<b>Time of response</b>	T90 < 15 s (water)		