

- 1
- 2
- 3
- 4
- 5
- 6
- 7
- 8
- 9
- 10
- 11
- 12
- 13
- 14
- 15
- 16
- 17
- 18

**STANDARD EXECUTION**

Sintered AISI 316 LHC stainless steel.  
Clamping assembly by means of AISI 304 stainless steel screw, cylindrical head with hexagonal socket.  
Threaded pass-through hole d3 when d1 = 30 ÷ 36.  
Threaded blind hole d3 when d1 ≥ 42.

**DAMPENING WASHER**

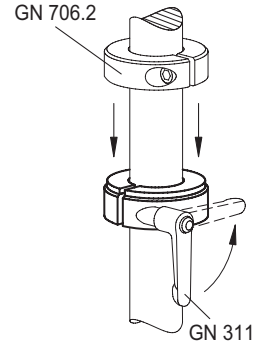
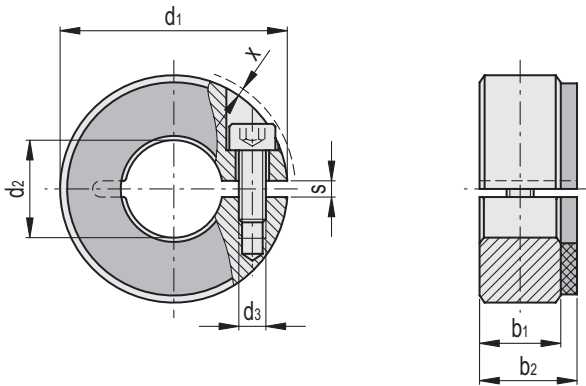
Transparent polyurethane (PUR), hardness 70 Shore A. Resistant up to 80°C.

**FEATURES AND APPLICATIONS**

GN 7062.3 split set collars are fixed to the shaft by tightening the screw properly. They can be used not only as end stops, but also for fixing other components, such as end limit switches.  
The dampening washer GN 7062.30 (see page -), supplied already fixed by means of an adhesive film on the semi-split set collar, absorbs light impacts and has a dampening effect when they come into contact with other components.  
The clamping screw d3 may be replaced by clamping kit GN 311 (see page -).

**TECHNICAL DATA**

Assembly on h11 tolerance shafts.



Code	Description	d1	d2 H10	d3	b1	b2	s	x*	d3 Clamping kit	⚖
GN.73701	GN 7062.3-30-B12-NI	30	12	M4	11	13	2.1	0.7	GN 311-30-M4-12-SW	39
GN.73706	GN 7062.3-32-B14-NI	32	14	M4	11	13	2.1	0.7	GN 311-30-M4-12-SW	45
GN.73711	GN 7062.3-36-B15-NI	36	15	M5	13	15	2.1	1.4	GN 311-30-M5-13-SW	76
GN.73712	GN 7062.3-36-B16-NI	36	16	M5	13	15	2.1	1.4	GN 311-30-M5-13-SW	67
GN.73716	GN 7062.3-42-B18-NI	42	18	M5	15	18	3	0.6	GN 311-30-M5-15-SW	106
GN.73717	GN 7062.3-42-B20-NI	42	20	M5	15	18	3	0.6	GN 311-30-M5-15-SW	98
GN.73721	GN 7062.3-48-B22-NI	48	22	M5	15	18	3	-	GN 311-45-M5-16-SW	135
GN.73722	GN 7062.3-48-B25-NI	48	25	M5	15	18	3	-	GN 311-45-M5-16-SW	124
GN.73726	GN 7062.3-55-B28-NI	55	28	M6	15	18	3	0.5	GN 311-45-M6-18-SW	195
GN.73727	GN 7062.3-55-B30-NI	55	30	M6	15	18	3	0.5	GN 311-45-M6-18-SW	156
GN.73731	GN 7062.3-60-B32-NI	60	32	M6	15	18	4	0.4	GN 311-45-M6-19-SW	203
GN.73732	GN 7062.3-60-B35-NI	60	35	M6	15	18	4	0.4	GN 311-45-M6-19-SW	171
GN.73736	GN 7062.3-65-B40-NI	65	40	M6	15	18	4	0.5	GN 311-45-M6-20-SW	195

Standard machine parts

\* Max protrusion of the screw head.