



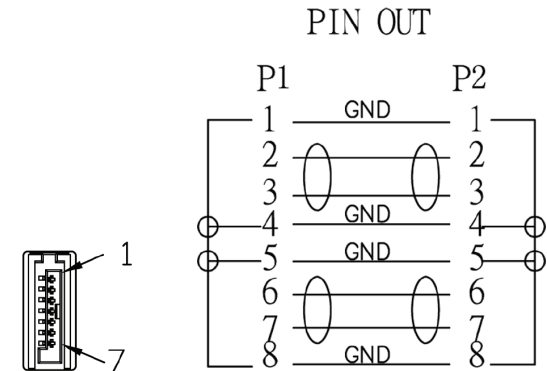
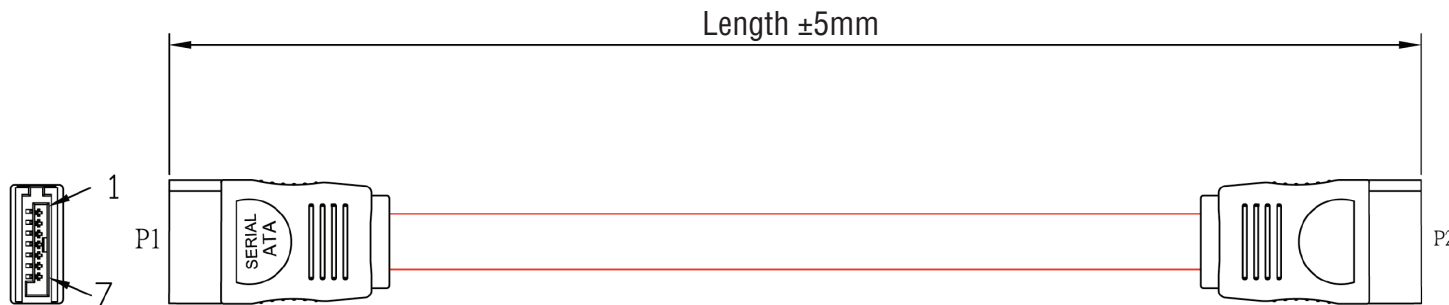
SATA Data Cables

Order code: **19-8701** 0.46m

Order code: **19-8703** 1m

These SATA cables have been designed for use with the new generation of hard drives and other devices. The SATA connector and cable are much smaller than existing 40-way IDE cables, which improves air circulation around the system and vital components. Each connected Serial ATA device or conversion needs its own cable; this removes the old master/slave set-up and allows for improved data transmission and access speed.

- Compatible with SATA (150Mb/s), SATA2 (300Mb/s)



www.rapidonline.com