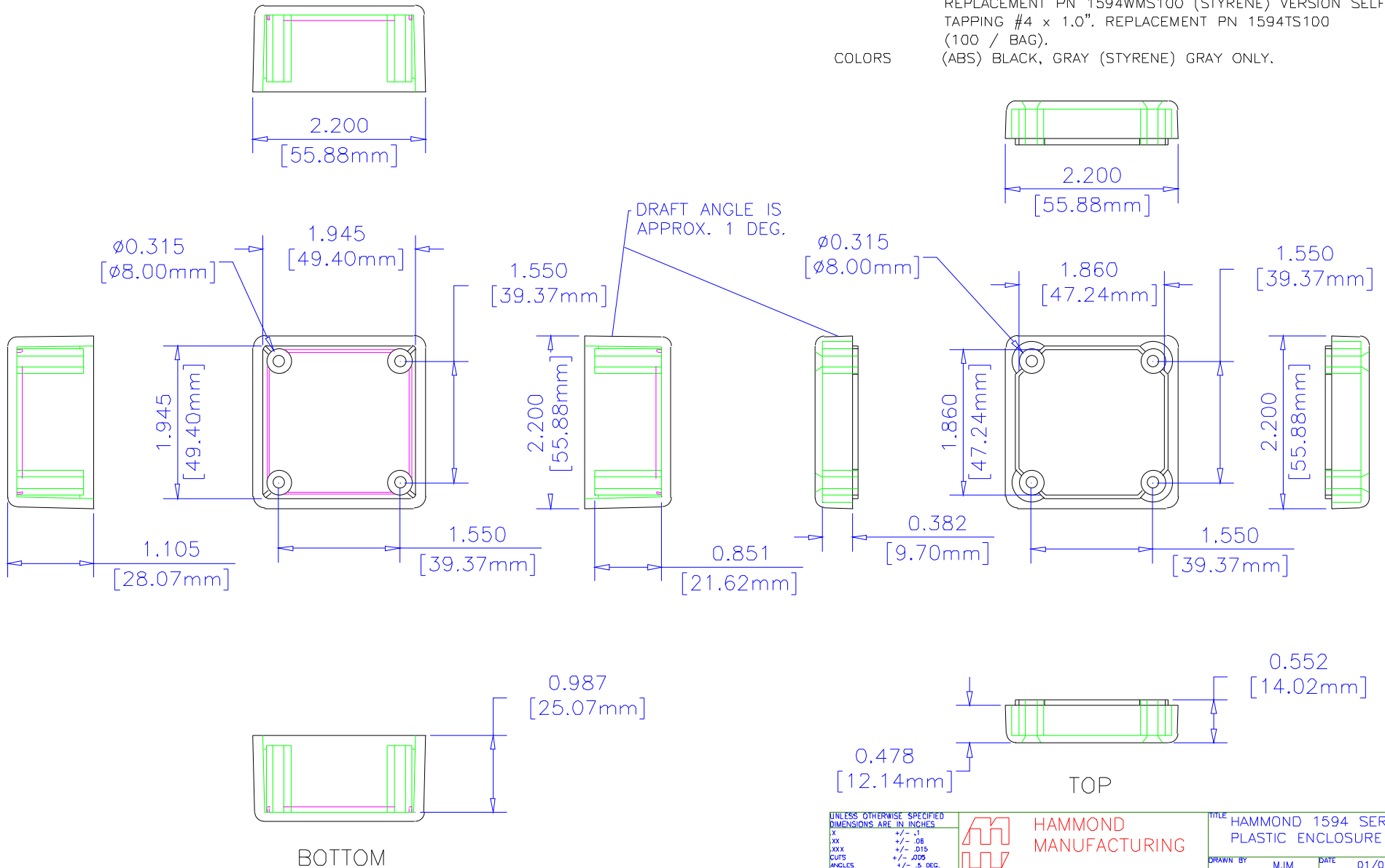


NOTES

MATERIAL (ABS) FLAME RETARDANT UL94 V0 MATERIAL WITH BRASS INSERTS IN CORNER POSTS.
(STYRENE) IS NON-FLAME RETARDANT WITHOUT BRASS INSERTS.

PARTS (ABS) VERSION MACHINE SCREWS M3-0.5 x 18mm, REPLACEMENT PN 1594MS100 (100 / BAG). ABS VERSION MACHINE SCREWS FOR THE WATER RESISTANT BOX REPLACEMENT PN 1594WMS100 (STYRENE) VERSION SELF TAPPING #4 x 1.0". REPLACEMENT PN 1594TS100 (100 / BAG).

COLORS (ABS) BLACK, GRAY (STYRENE) GRAY ONLY.



UNLESS OTHERWISE SPECIFIED
DIMENSIONS ARE IN INCHES
X +/- .1
XX +/- .05
XXX +/- .015
SUF'S +/- .005
ANGLES +/- .5 DEG.

NOTICE
HAMMOND RESERVES PROPRIETARY RIGHTS TO THE MATERIAL ON THIS DRAWING. IT IS INTENDED TO BE USED AS A REFERENCE FOR ENGINEERING INFORMATION ONLY. THIS INFORMATION MAY NOT BE USED TO MANUFACTURE PRODUCT WITHOUT WRITTEN PERMISSION FROM HAMMOND MANUFACTURING.

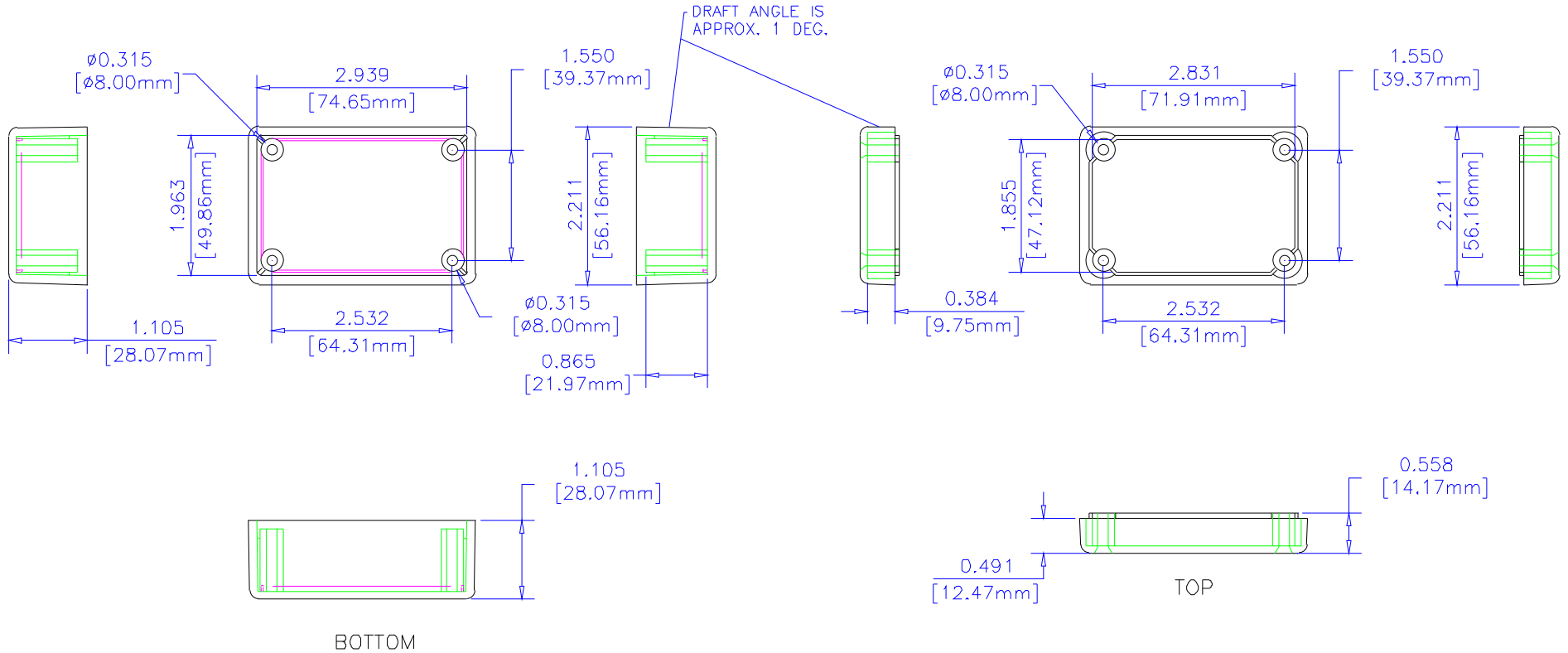
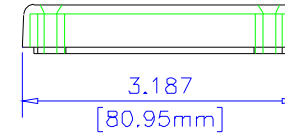
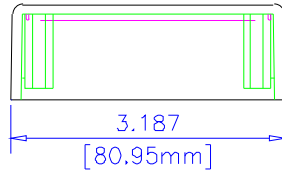


WEB: WWW.HAMMONDMFG.COM

TITLE HAMMOND 1594 SERIES PLASTIC ENCLOSURE	
DRAWN BY MJM	DATE 01/04/01
SCALE	PAGE 1 OF 1
PART NUMBER 1594A	

NOTES

- MATERIAL** (ABS) FLAME RETARDANT UL94 V0 MATERIAL WITH BRASS INSERTS IN CORNER POSTS.
(STYRENE) IS NON-FLAME RETARDANT WITHOUT BRASS INSERTS.
- PARTS** (ABS) VERSION MACHINE SCREWS M3-0.5 x 18mm. REPLACEMENT PN 1594MS100 (100 / BAG). ABS VERSION MACHINE SCREWS FOR THE WATER RESISTANT BOX REPLACEMENT PN 1594WMS100 (STYRENE) VERSION SELF TAPPING #4 x 1.0". REPLACEMENT PN 1594TS100 (100 / BAG).
- COLORS** (ABS) BLACK, GRAY (STYRENE) GRAY ONLY.



UNLESS OTHERWISE SPECIFIED
DIMENSIONS ARE IN INCHES

X	+/- .1
XX	+/- .06
XXX	+/- .015
PLTS	+/- .005
ANGLES	+/- .5 DEG.

NOTICE
 HARRIS ENGINEERING REVISITS TO THE MATERIAL ON THE DRAWING IT IS INTENDED TO BE USED AS A REFERENCE FOR ENGINEERING INFORMATION ONLY. THIS INFORMATION MAY NOT BE USED TO MANUFACTURE PRODUCTS WITHOUT WRITTEN PERMISSION FROM HARRIS ENGINEERING.



**HAMMOND
MANUFACTURING**

WEB: WWW.HAMMONDMFG.COM

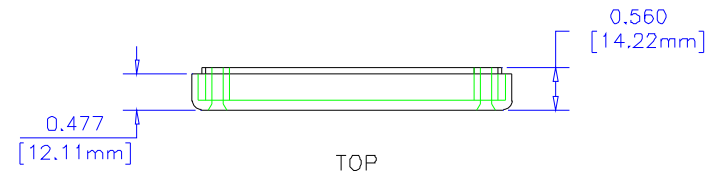
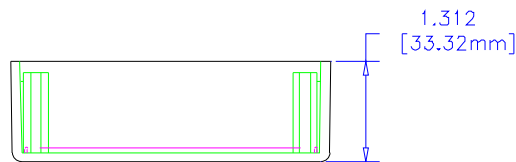
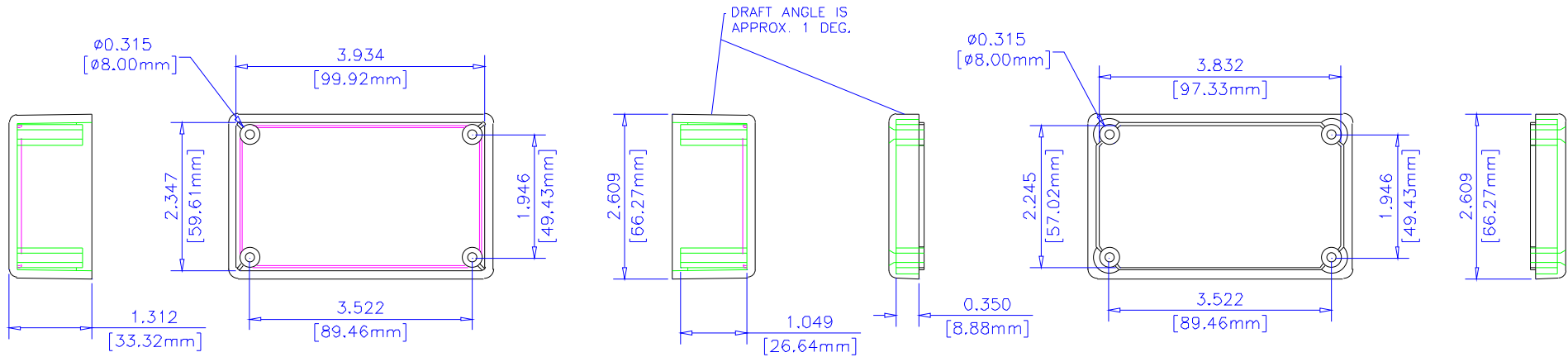
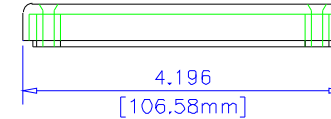
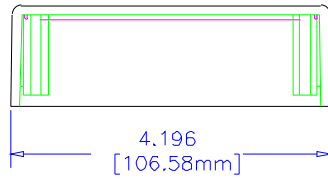
TITLE		HAMMOND 1594 SERIES PLASTIC ENCLOSURE	
DRAWN BY	MJM	DATE	01/05/01
SCALE		PAGE	1 OF 1
PART NUMBER	1594B		

NOTES

MATERIAL (ABS) FLAME RETARDANT UL94 V0 MATERIAL WITH BRASS INSERTS IN CORNER POSTS.
(STYRENE) IS NON-FLAME RETARDANT WITHOUT BRASS INSERTS.

PARTS (ABS) VERSION MACHINE SCREWS M3-0.5 x 18mm. REPLACEMENT PN 1594MS100 (100 / BAG). ABS VERSION MACHINE SCREWS FOR THE WATER RESISTANT BOX REPLACEMENT PN 1594WMS100 (STYRENE) VERSION SELF TAPPING #4 x 1.0". REPLACEMENT PN 1594TS100 (100 / BAG).

COLORS (ABS) BLACK, GRAY (STYRENE) GRAY ONLY.



BOTTOM

UNLESS OTHERWISE SPECIFIED
DIMENSIONS ARE IN INCHES
XX +/- .1
XXX +/- .06
XXXX +/- .015
DIMENSIONS +/- .000
ANGLES +/- .5 DEG.

NOTICE
HAMMOND MANUFACTURING RESERVES THE RIGHT TO CHANGE THE MATERIAL OR THE DIMENSIONS OF THIS PRODUCT WITHOUT NOTICE. THIS INFORMATION IS FOR ENGINEERING INFORMATION ONLY. THIS INFORMATION SHOULD NOT BE USED TO MANUFACTURE PRODUCTS WITHOUT WRITTEN PERMISSION FROM HAMMOND MANUFACTURING.



**HAMMOND
MANUFACTURING**

WEB: WWW.HAMMONDMFG.COM

TITLE HAMMOND 1594 SERIES
PLASTIC ENCLOSURE

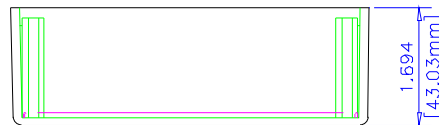
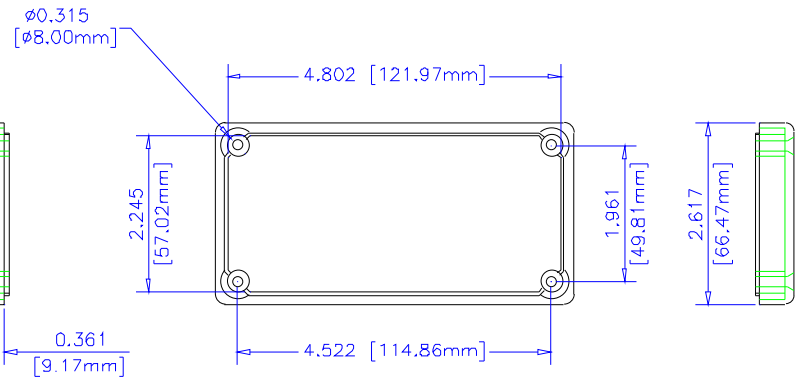
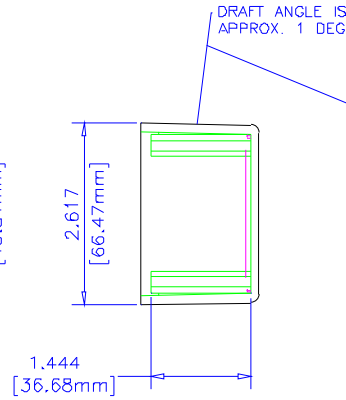
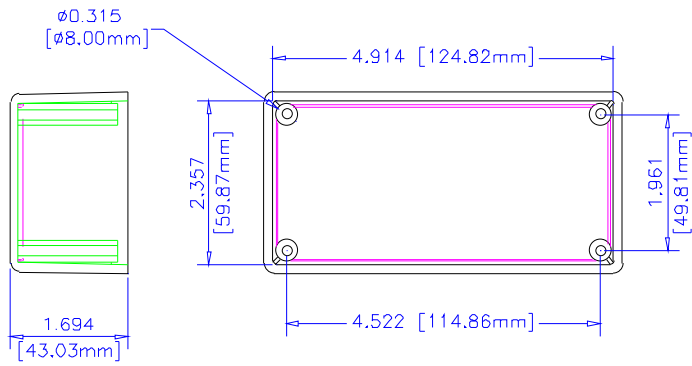
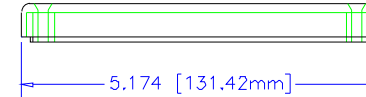
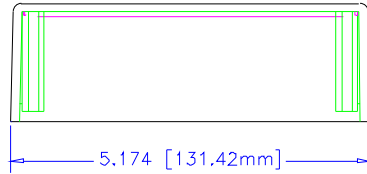
DRAWN BY MJM DATE 01/06/01

SCALE PAGE 1 OF 1

PART NUMBER 1594C

NOTES

- MATERIAL** (ABS) FLAME RETARDANT UL94 VO MATERIAL WITH BRASS INSERTS IN CORNER POSTS.
(STYRENE) IS NON-FLAME RETARDANT WITHOUT BRASS INSERTS.
- PARTS** (ABS) VERSION MACHINE SCREWS M3-0.5 x 18mm. REPLACEMENT PN 1594MS100 (100 / BAG). ABS VERSION MACHINE SCREWS FOR THE WATER RESISTANT BOX REPLACEMENT PN 1594WMS100 (STYRENE) VERSION SELF TAPPING #4 x 1.0". REPLACEMENT PN 1594TS100 (100 / BAG).
- COLORS** (ABS) BLACK, GRAY (STYRENE) GRAY ONLY.



BOTTOM



TOP

UNLESS OTHERWISE SPECIFIED
DIMENSIONS ARE IN INCHES

X	+/- .1
XX	+/- .08
XXX	+/- .05
CUTS	+/- .005
ANGLES	+/- .5 DEG.

NOTICE
HAMMOND CLAIMS PROPRIETARY RIGHTS TO THE MATERIAL ON THIS DRAWING. IT IS INTENDED TO BE USED AS A REFERENCE FOR ENGINEERING INFORMATION ONLY. THIS INFORMATION MAY NOT BE USED TO MANUFACTURE PRODUCTS WITHOUT WRITTEN PERMISSION FROM HAMMOND MANUFACTURING.



**HAMMOND
MANUFACTURING**

WEB: WWW.HAMMONDMFG.COM

TITLE HAMMOND 1594 SERIES
PLASTIC ENCLOSURE

DRAWN BY MJM DATE 01/07/01

SCALE PAGE 1 OF 1

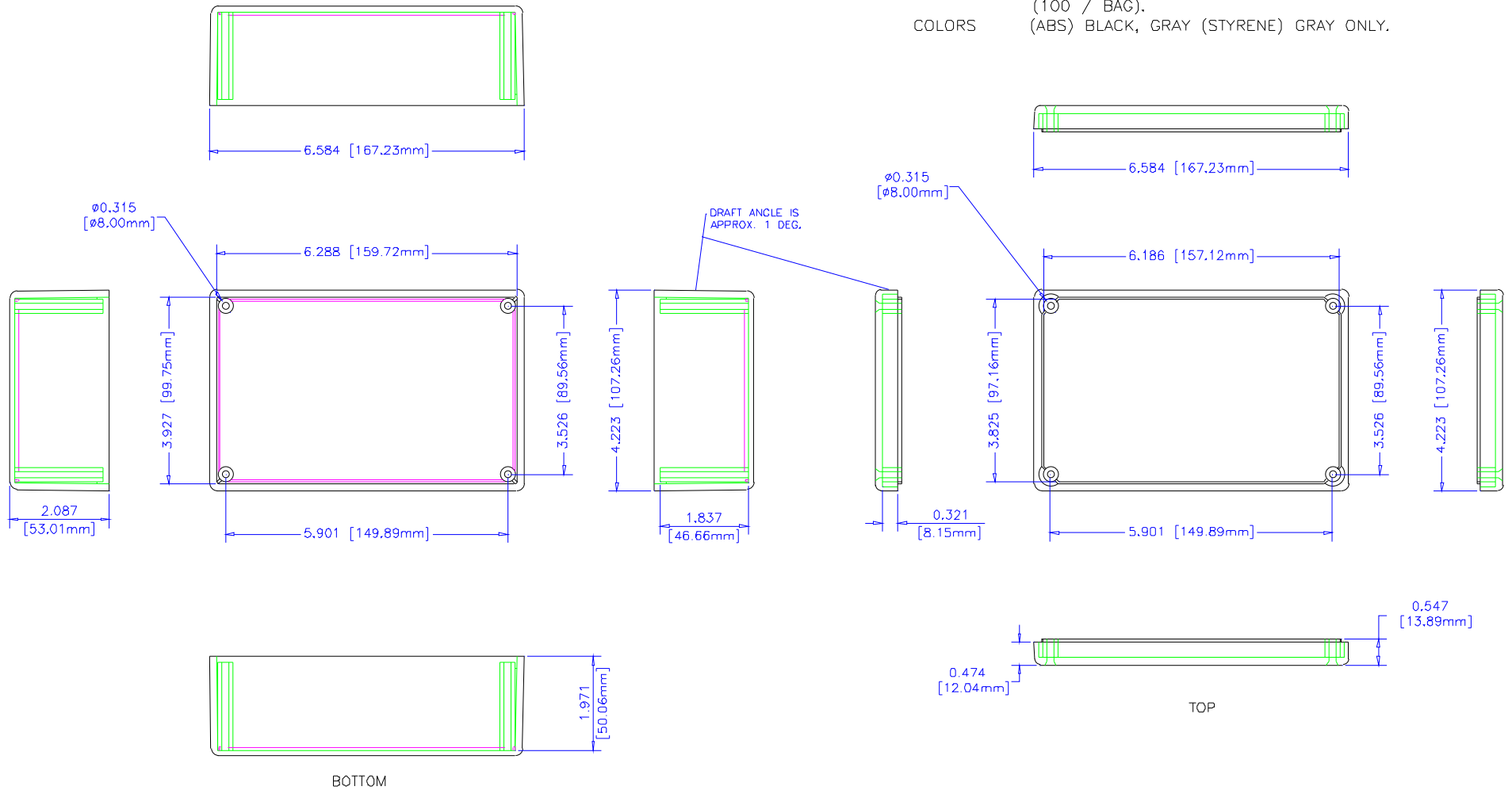
PART NUMBER 1594D

NOTES

MATERIAL (ABS) FLAME RETARDANT UL94 VO MATERIAL WITH BRASS INSERTS IN CORNER POSTS.
(STYRENE) IS NON-FLAME RETARDANT WITHOUT BRASS INSERTS.

PARTS (ABS) VERSION MACHINE SCREWS M3-0.5 x 18mm. REPLACEMENT PN 1594MS100 (100 / BAG). ABS VERSION MACHINE SCREWS FOR THE WATER RESISTANT BOX REPLACEMENT PN 1594WMS100 (STYRENE) VERSION SELF TAPPING #4 x 1.0". REPLACEMENT PN 1594TS100 (100 / BAG).

COLORS (ABS) BLACK, GRAY (STYRENE) GRAY ONLY.



UNLESS OTHERWISE SPECIFIED
DIMENSIONS ARE IN INCHES.

X	+/- .1
XX	+/- .06
XXX	+/- .015
CHS	+/- .005
ANGLES	+/- 5 DEG.

NOTICE
HAMMOND MANUFACTURING PROPRIETARY RIGHTS TO THE MATERIAL ON THIS DRAWING. IT IS INTENDED TO BE USED AS A REFERENCE FOR ENGINEERING INFORMATION ONLY. THIS INFORMATION MAY NOT BE USED TO MANUFACTURE PRODUCTS WITHOUT WRITTEN PERMISSION FROM HAMMOND MANUFACTURING.



WEB. WWW.HAMMONDMFG.COM

TITLE HAMMOND 1594 SERIES
PLASTIC ENCLOSURE

DRAWN BY MJM	DATE 01/08/01
SCALE	PAGE 1 OF 1
PART NUMBER	1594E