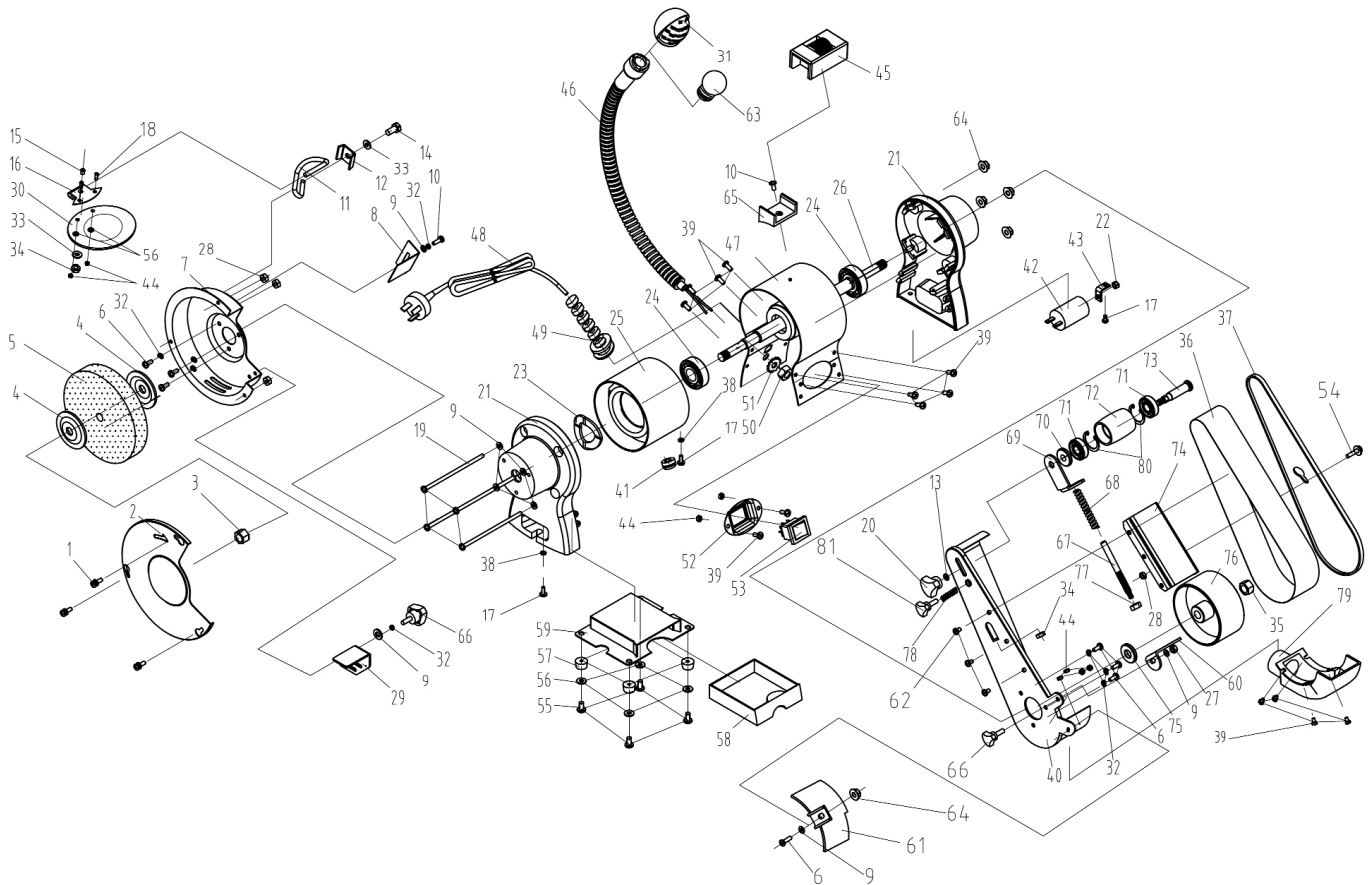




Parts Information:
Bench Grinder Ø150mm with 50mm Belt
Sander & Work Light 250W/230V
Model No: BG150BS



NOTE: It is our policy to continually improve products and as such we reserve the right to alter data, specifications and component parts without prior notice.

IMPORTANT: No liability is accepted for incorrect use of product.

WARRANTY: Guarantee is 12 months from purchase date, proof of which will be required for any claim.

Sealey Group, Kempson Way, Suffolk Business Park, Bury St Edmunds, Suffolk. IP32 7AR



01284 757500



01284 703534



sales@sealey.co.uk



www.sealey.co.uk

Item	Part No.	Description
1	MSP518.S	MACHINE SCREW PAN HEAD PHILLIPS M5x18mm
2	BG150BS.02	GUARD COVER, LEFT
3	BG150BS.03	HEX NUT (M12) LEFT HAND THREAD
4	BG150BS.04	WHEEL FLANGE
5	BG150/15	GRINDING STONE 150x20mm 32(13)mm BORE A6
--	BG150/16	GRINDING STONE 150x20mm 32(13)mm BORE A3 (NOT SHOWN)
6	BG150BS.06	SCREW (M5x10)
7	BG150BS.07	LEFT GUARD INNER COVER
8	BG150BS.08	SPARK DEFLECTOR, LEFT
9	FWM5.SB	FLAT WASHER M5 BLACK (SINGLE)
10	MSP58.S	MACHINE SCREW PAN HEAD PHILLIPS M5x8mm
11	BG150BS.11	LEFT EYESHIELD MOUNT ROD
12	BG150BS.12	EYESHIELD BRACKET
13	SN8.S	STEEL NUT M8 ZINC DIN934 (SINGLE)
14	BG200WL.15	HEX BOLT M6x14
15	BG200WL.19	COACH BOLT M6X18
16	BG150BS.16	EYESHIELD PLATE
17	BG150BS.17	SCREW (c/w SPRING WASHER)
18	DAS151.14	SCREW (M4x10)(LSA)
19	MSP5130.S	MACHINE SCREW PAN HEAD PHILLIPS M5x130mm
20	BG150BS.20	LOCKING KNOB
21	BG150BS.21	END CAP
22	SN8.S	STEEL NUT M8 ZINC DIN934 (SINGLE)
23	BG150BS.23	WAVEY WASHER (35mm)
24	B/6202-2RS	BEARING 6202-2RS
25	BG150BS.25	STATOR
26	BG150BS.26	ROTOR
27	SN5.SB	STEEL NUT M5 BLACK (SINGLE)
28	NLN5.S	NYLOC NUT M5 ZINC DIN 985 (SINGLE)
29	BG150BS.29	TOOL REST, LEFT
30	BG150BS.30	EYESHIELD
31	BG150BS.31	LAMP WITH PROTECTIVE GUARD
32	MG314.V2-24	SPRING WASHER (5mm)
33	FWM6.SB	FLAT WASHER M6 BLACK (SINGLE)
34	SN6.S	STEEL NUT M6 ZINC DIN934 (SINGLE)
35	SN12.S	STEEL NUT M12 ZINC DIN934(SINGLE)
36	BG150B60G	SANDING BELT 60GRIT 50 x 686mm Pack of 5
--	BG150B80G	SANDING BELT 80GRIT 50 x 686mm Pack of 5 (NOT SHOWN)
--	BG150B120G	SANDING BELT 120GRIT 50 x 686mm Pack of 5 (NOT SHOWN)
37	BG150BS.37	GUARD COVER, RIGHT

Item	Part No.	Description
38	BG150BS.38	TOOTHED LOCKING WASHER (4mm)
39	MSP410.SB	MACHINE SCREW PAN HEAD PHILLIPS M4x10mm
40	BG150BS.40	RIGHT GUARD INNER COVER
41	BG150BS.41	CORD BUSHING
42	BG150BS.42	CAPACITOR
43	BG150BS.43	CAPACITOR SUPPORT
44	SN4.S	STEEL NUT M4 ZINC DIN934 (SINGLE)
45	BG150BS.45	WHEEL DRESSING TOOL
46	BG150BS.46	LAMP ASSEMBLY
47	BG150BS.47	MOTOR HOUSING
48	MC3CX0.75	MAINS CABLE BLK, 3 CORE, 0.75 MM2
49	BG150BS.49	STRAIN RELIEF
50	EU1011	NUT (M10x1)
51	BG150BS.51	TOOTHED LOCKING WASHER (10mm)
52	BG150BS.52	SWITCH PLATE
53	BG150BS.53	SWITCH
54	BG150BS.54	SCREW M5x16 (c/w WASHER)
55	MSP416.SB	MACHINE SCREW PAN HEAD PHILLIPS M4x16mm
56	FWM4.SB	FLAT WASHER M4 BLACK (SINGLE)
57	BG150BS.57	RUBBER FOOT
58	BG150BS.59	BASE PLATE ASS'Y
59	BG150BS.59	BASE PLATE ASS'Y
60	BG150BS.60	TOOL REST, RIGHT
61	BG150BS.61	BELT COVER PLATE
62	BG150BS.62	SCREW M5x10 (c/w SPRING WASHER)
63	BG150BS.63	BULB
64	NLN5.SB	NYLOC NUT M5 BLACK (SINGLE)
65	BG150BS.65	DRESSING TOOL BASE
66	BG150BS.66	LOCK KNOB (M5x10)
67	BG150BS.67	ADJUSTING ROD
68	BG150BS.68	SPRING
69	BG150BS.69	SPARK DEFLECTOR, RIGHT
70	BG150BS.70	DRIVEN SHAFT SPACER
71	BG150BS.71	BALL BEARING (180201)
72	BG150BS.72	DRIVEN ROLLER
73	BG150BS.73	DRIVEN SHAFT
74	BG150BS.74	WORK SUPPORT
75	BG150BS.75	DRIVE SHAFT WASHER M12X25
76	BG150BS.76	DRIVE WHEEL
77	SN8.S	STEEL NUT M8 ZINC DIN934 (SINGLE)
78	BG150BS.78	SPRING
79	BG150BS.79	DUST COLLECTOR
80	BG150BS.80	CIRCLIP (32mm)
81	BG150BS.81	ADJUSTING KNOB (M6)

NOTE: It is our policy to continually improve products and as such we reserve the right to alter data, specifications and component parts without prior notice.

IMPORTANT: No liability is accepted for incorrect use of product.

WARRANTY: Guarantee is 12 months from purchase date, proof of which will be required for any claim.

Sealey Group, Kempson Way, Suffolk Business Park, Bury St Edmunds, Suffolk. IP32 7AR



01284 757500



01284 703534



sales@sealey.co.uk



www.sealey.co.uk