

## Dot laser, red, 650nm, 1mW

DA650-1-5(11x60)

Order Number: 70110517

Main Parameters (*)	min	typ	max	Unit
Wavelength		650		nm
Optical Output Power		1		mW
Operating Voltage	4.5	5	5.5	V DC
Operating Current	20	40	55	mA
Operating Temperature	-20		50	°C
Storage Temperature	-40		80	°C

### Technical Parameters

Lifetime	>5000h
RoHS	yes

### Optical Parameters

Beam Shape	Dot
Laser Class	2
Divergence	A - 0.1mrad
Beam Diameter	8mm
Size of Laserdot	<9.5mm@40m
Operating Distance	50m
Optics	glass lens AR coated
Laser technology	Single Mode Diode
Focus	collimated

### Electrical Parameters

Potential of Housing	isolated
----------------------	----------

### Mechanical Parameters

Size	Ø11x60mm
Material	Brass
Cable length	100mm
Wire type	26AWG, 0,14mm <sup>2</sup>
Output Aperture	8mm
Housing Color	black
Weight	22.5g
Stripping of wire	5mm

(\*) Over the complete operating temperature range

### Features





- Round Beamprofile
- For image processing
- Operating Voltage 5V DC
- Low current

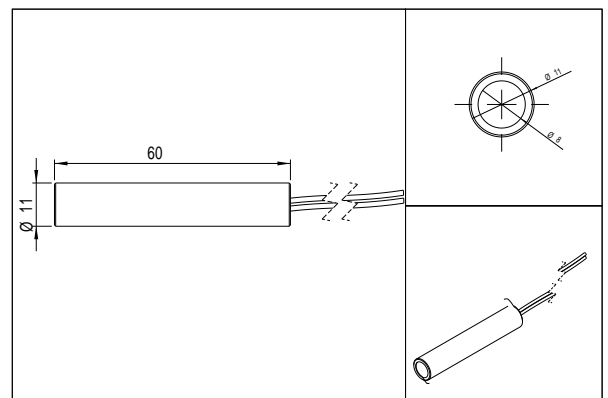
### Picture



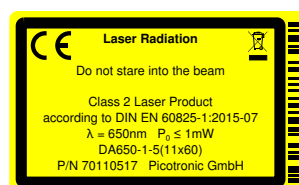
### Cable Colors

Ground		black	GND
Positive		red	4.5 - 5.5, typ 5V DC

### Drawing



### Safety Label



### Revision

REV 5 | 22-MAR-2013