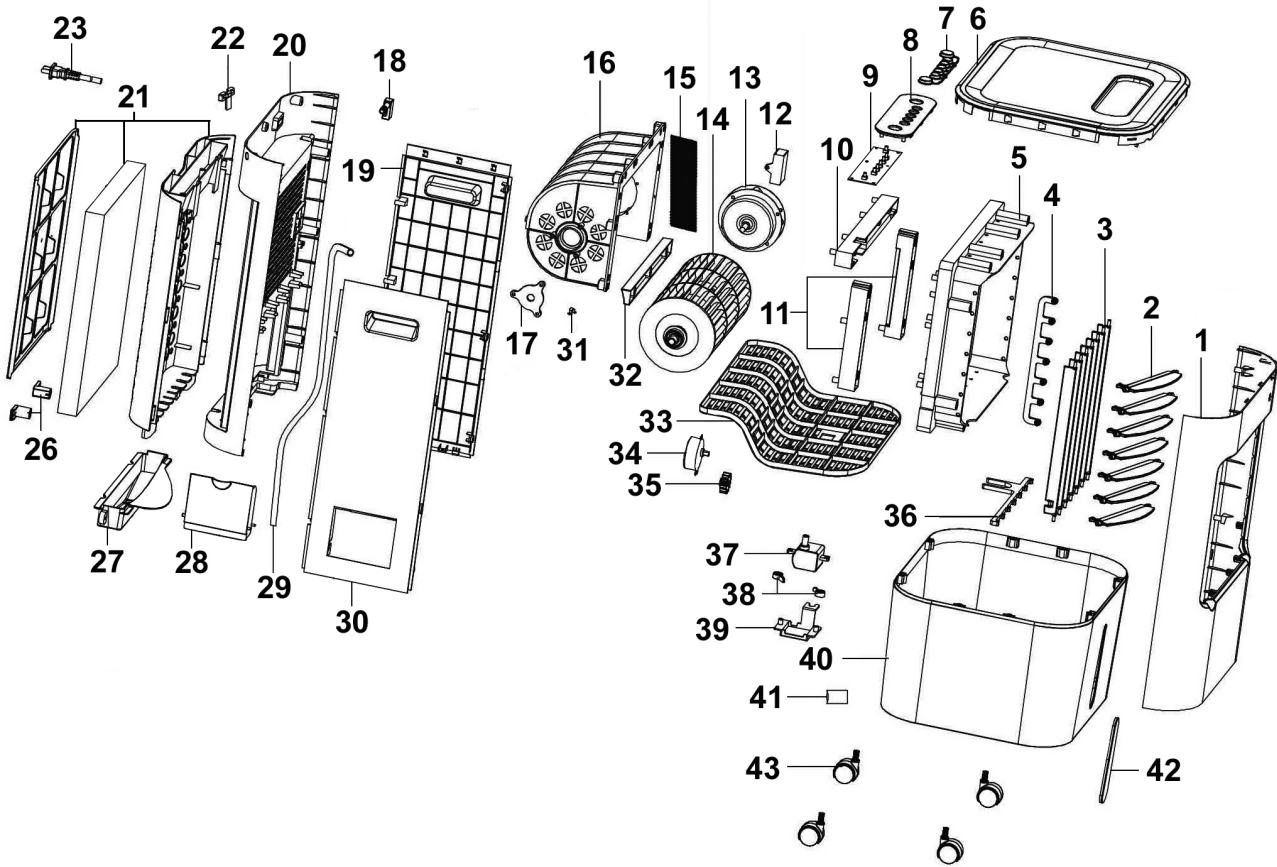


Parts Information:
Air Cooler/Purifier/Humidifier with Remote Control
Model No: SAC13



Item	Part No.	Description
1	SAC13.01	Front Pane
2	SAC13.02	Horizontal Vane
3	SAC13.03	Vertical Vane
4	SAC13.04	Vane Support Bracket
5	SAC13.05	Vane Support Cover
6	SAC13.06	Top Cover
7	SAC13.07	Control Board
8	SAC13.08	LED Display Window
9	SAC13.09	Control PCB
10	SAC13.10	Support, Left Side
11	SAC13.11	Support, Right Side
12	SAC13.12	Capacitor
13	SAC13.13	Motor
14	SAC13.14	Fan
15	SAC13.15	Filter
16	SAC13.16	Fan Cover
17	SAC13.17	Fan Cover Bracket
18	SAC13.18	Water Inlet
19	SAC13.19	Panel, Left Side
20	SAC13.20	Rear Panel
21	SAC13.21	Filter Frame c/w filter

Item	Part No.	Description
22	SAC13.22	Tension Disc
23	SAC13.23	Power Cord
26	SAC13.26	Filter Screen Buckle
27	SAC13.27	Water Tray
28	SAC13.28	Side, Water Tray
29	SAC13.29	Water Pipe
30	SAC13.30	Panel, Right Side
31	SAC13.31	Plastic Clip
32	SAC13.32	Fan Deflector
33	SAC13.33	Baffle
34	SAC13.34	Synchronised Motor
35	SAC13.35	Eccentric Gear
36	SAC13.36	Vertical Vane Support
37	SAC13.37	Pump
38	SAC13.38	Pump Lock
39	SAC13.39	Pump Holder
40	SAC13.40	Water Tank
41	SAC13.41	Water Tank Lock
42	SAC13.42	Water Level Display Window
43	SAC13.43	Universal Wheel
--	SAC13.RC	Remote Control (Not Shown)

NOTE: It is our policy to continually improve products and as such we reserve the right to alter data, specifications and component parts without prior notice. There may be alternative versions of this product, please contact us should you require this information.

IMPORTANT: No liability is accepted for incorrect use of product. Spare parts must be fitted by a competent person

WARRANTY: Guarantee is 12 months from purchase date, proof of which will be required for any claim.