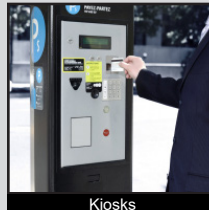


# PVS7 SERIES ANTI-VANDAL SWITCH

ANTI-VANDAL SWITCHES  
DETECTOR SWITCHES  
DIP SWITCHES  
KEYLOCK SWITCHES  
NAVIGATION SWITCHES  
PUSHBUTTON SWITCHES  
ROCKER SWITCHES  
ROTARY SWITCHES  
SLIDE SWITCHES  
SNAP ACTION SWITCHES  
TACTILE SWITCHES  
TOGGLE SWITCHES  
CAP OPTIONS



## APPLICATIONS / MARKETS



**RoHS**

## SPECIFICATIONS

**Electrical Rating:** 2A, 24VDC  
**Electrical Life:** 50,000 Cycles  
**Contact Resistance:** 50mΩ Max.  
**Insulation Resistance:** 1000 MΩ Min.  
**Dielectric Strength:** 2,000VAC  
**Operating/Storage Temperature:** -20°C to 55°C  
**Travel:** 2.50mm  
**Moisture Protection:** IP65  
**Contact Arrangement:** SPDT, DPDT  
**Actuation Force:** 4 N  
**Panel Thickness:** 1-11mm  
**Mounting Nut Torque:** 5-14Nm

## FEATURES & BENEFITS

- 22mm diameter panel cutout
- RGB LED option
- Ring illumination available
- Multiple function options
- IP65 rated
- SPDT & DPDT
- Soldered wire leads (300mm long) optional

## PART NUMBER CONFIGURATOR

Series	Actuator Options	Terminal Options	Function Options	Rating Options	Body Finish Options	Actuator Finish Options	Lens Style Options	LED-Color Options	Illumination Voltage Options	Graphic (Optional)
<input type="text" value="PVS7"/>	<input type="text" value="F - Flat"/>	<input type="text" value="2 - Solder Wire Leads 300mm long"/>	<input type="text" value="3 - 1P On-On B - 1P On-(On) G - 2P On-On H - 2P On-(On)"/>	<input type="text" value="0 - 2A, 24VDC"/>	<input type="text" value="S - Stainless Steel"/>	<input type="text" value="S - Stainless Steel"/>	<input type="text" value="NONE - Non-Illuminated 3 - Ring Illumination"/>	<input type="text" value="NONE - Non-Illuminated 0 - White 1 - Red 2 - Orange 3 - Green 4 - Blue 5 - Yellow F - Red/Orange G - Red/Green H - Red/Blue J - Red/Yellow K - Orange/Green L - Orange/Blue M - Orange/Yellow R - RGB LED*"/>	<input type="text" value="NONE - Non-Illuminated 1 - Base Voltage 3 - 6V 4 - 12V 5 - 24V 6 - 125V 7 - 250V"/>	<input type="text" value="M01 - Power symbol laser etched"/>

**NOTES:**  
 ( ) denotes function is momentary  
 \* RGB is only for SPDT functions 3 and B

Specifications subject to change without notice 5.31.2019



**E-SWITCH®**

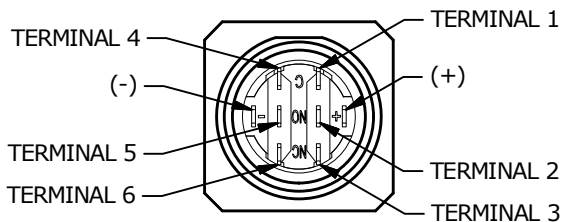
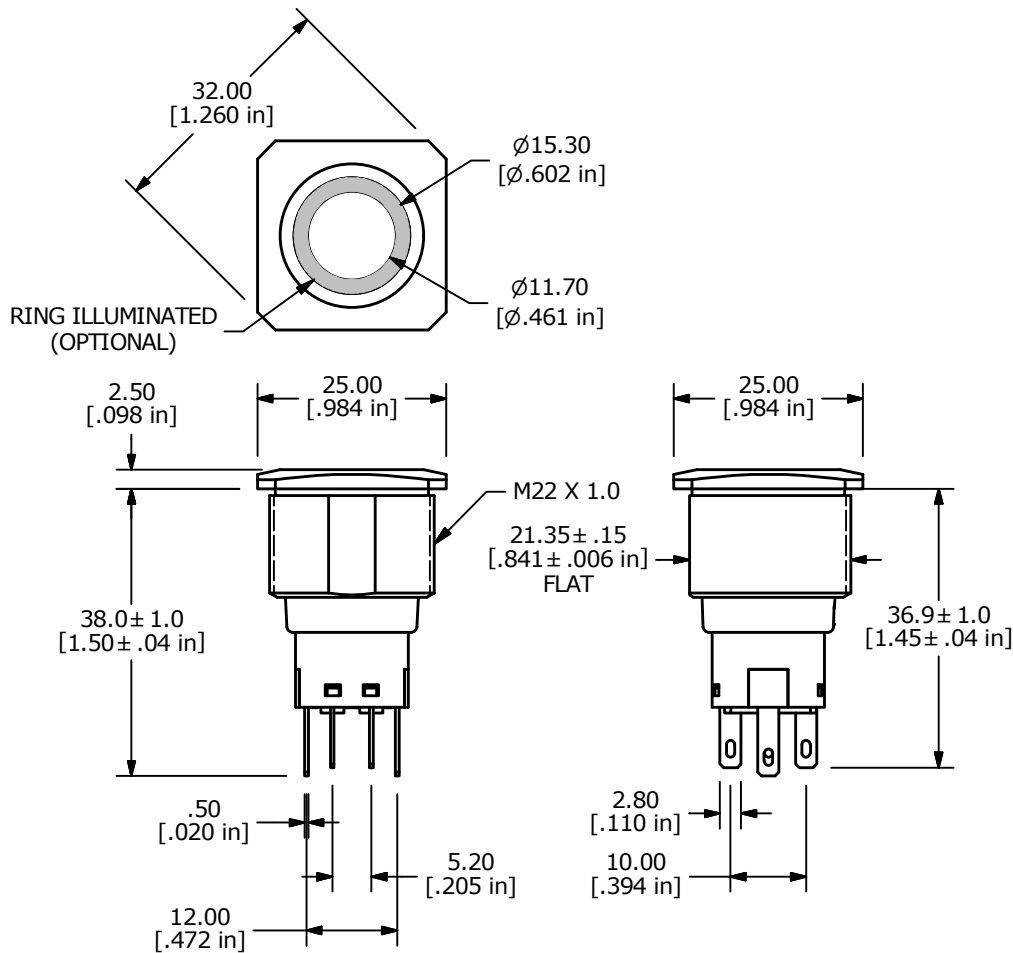
www.e-switch.com

800.867.2717

1

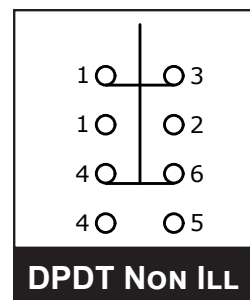
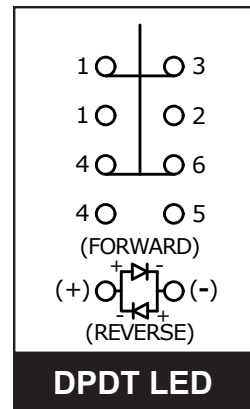
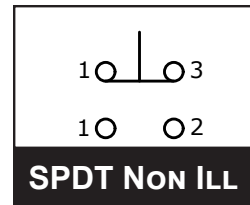
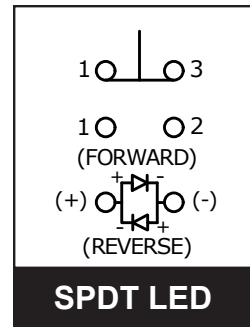
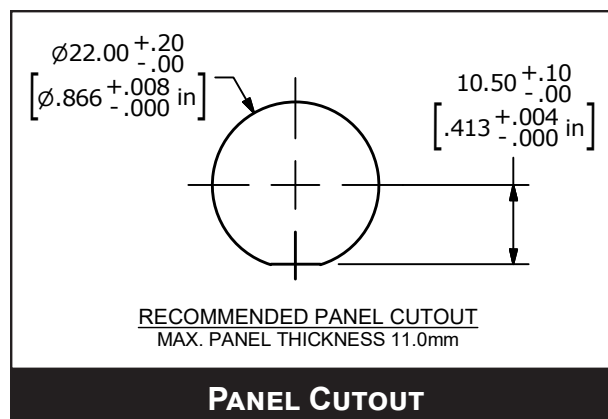
# PVS7 SERIES ANTI-VANDAL SWITCH

## STANDARD LED FUNCTIONS 3, B, G & H



DPDT ILLUMINATED OPTION SHOWN LED (+) AND (-) TERMINALS ARE NOT INCLUDED ON THE NON-ILLUMINATED OPTION  
TERMINALS 4,5 AND 6 ARE NOT ON THE SPDT VERSION

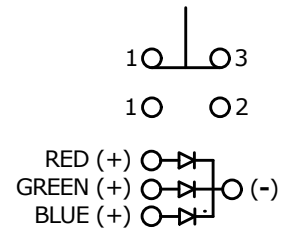
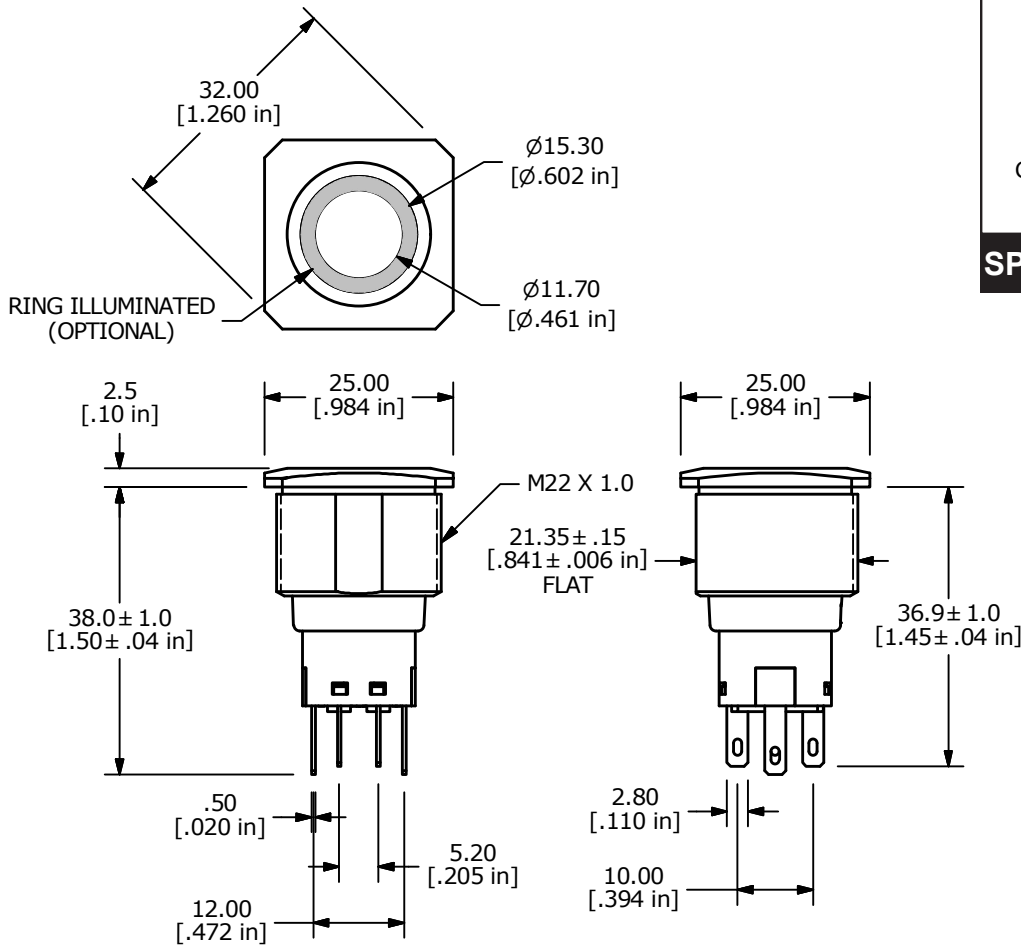
FUNCTIONS 3 & B ARE SPDT  
FUNCTIONS G & H ARE DPDT



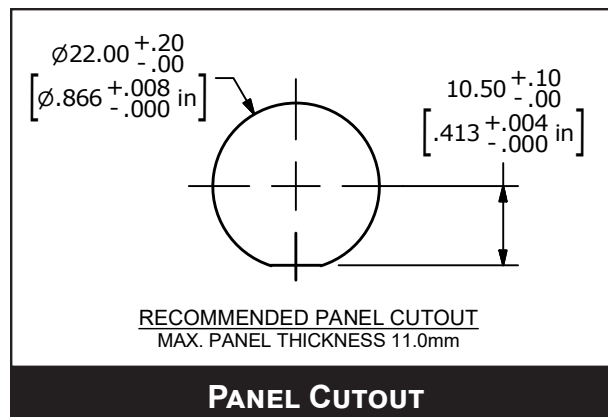
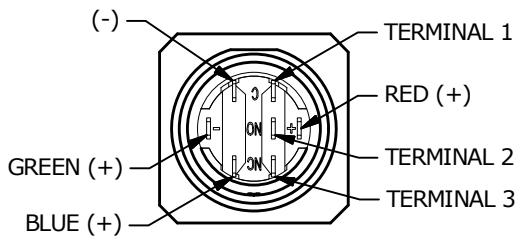
ANTI-VANDAL SWITCHES  
DETECTOR SWITCHES  
DIP SWITCHES  
KEYLOCK SWITCHES  
NAVIGATION SWITCHES  
PUSHBUTTON SWITCHES  
ROCKER SWITCHES  
ROTARY SWITCHES  
SLIDE SWITCHES  
SNAP ACTION SWITCHES  
TACTILE SWITCHES  
TOGGLE SWITCHES  
CAP OPTIONS

# PVS7 SERIES ANTI-VANDAL SWITCH

## RGB LED ILLUMINATION FUNCTIONS 3 & B

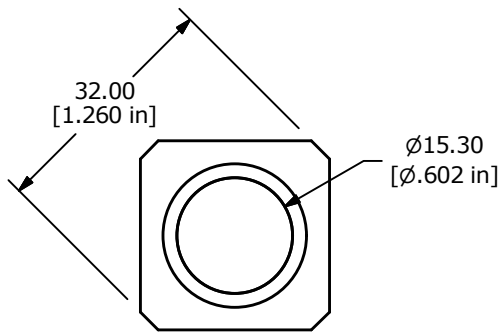


**SPDT RGB LED SCHEMATIC**

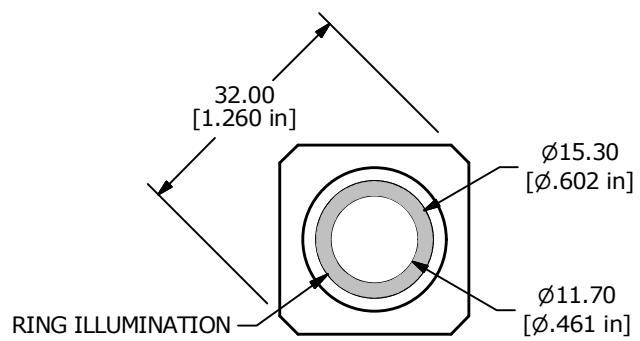


# PVS7 SERIES ANTI-VANDAL SWITCH

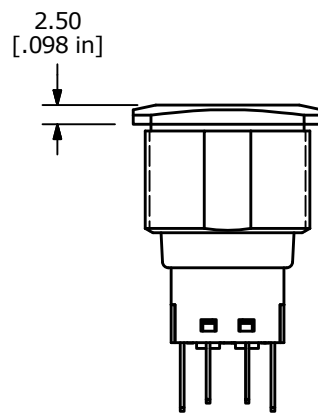
## ACTUATOR OPTION



**NON-ILLUMINATED**

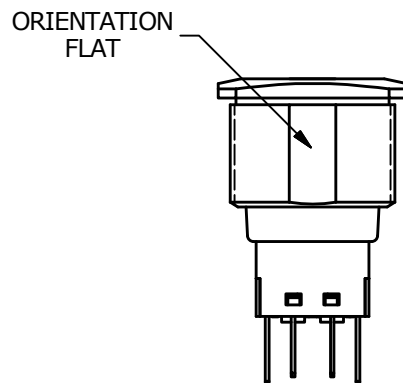
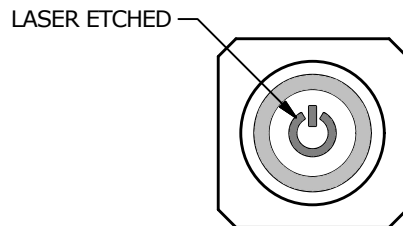


**RING ILLUMINATED**



**FLAT ACTUATOR**

## GRAPHIC OPTION



**M01**

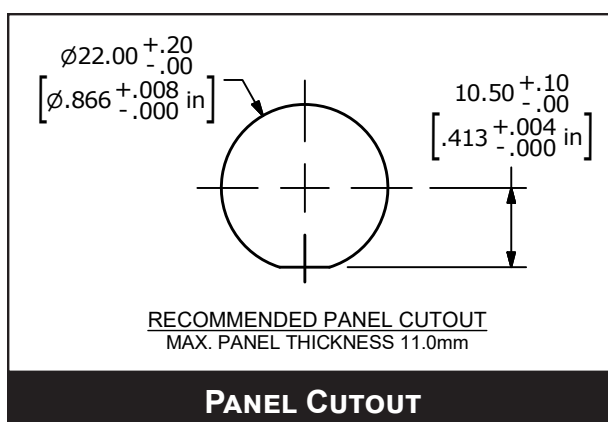
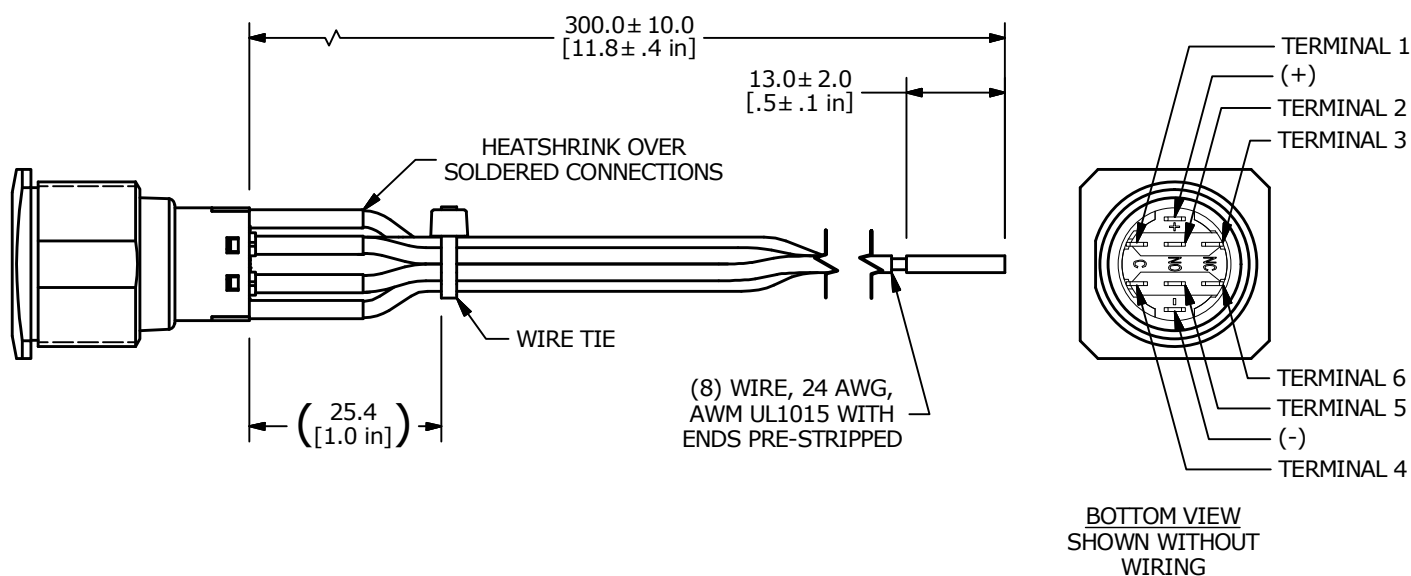


# PVS7 SERIES ANTI-VANDAL SWITCH

## STANDARD LED WIRE LEAD

SWITCH	WIRE	LENGTH
SW1-1	WIRE, 24AWG AWM UL1015, YELLOW	300.0 [11.8 in]
SW1-2	WIRE, 24AWG AWM UL1015, BLUE	300.0 [11.8 in]
SW1-3	WIRE, 24AWG AWM UL1015, GREEN	300.0 [11.8 in]
SW1-4	WIRE, 24AWG AWM UL1015, PURPLE	300.0 [11.8 in]
SW1-5	WIRE, 24AWG AWM UL1015, ORANGE	300.0 [11.8 in]
SW1-6	WIRE, 24AWG AWM UL1015, WHITE	300.0 [11.8 in]
SW1- (+)	WIRE, 24AWG AWM UL1015, RED	300.0 [11.8 in]
SW1- (-)	WIRE, 24AWG AWM UL1015, BLACK	300.0 [11.8 in]

\*\* WIRE LEADS PROVIDED ARE DEPENDANT ON THE FUNCTION AND/OR ILLUMINATION SELECTED \*\*



# PVS7 SERIES ANTI-VANDAL SWITCH

## RGB LED WIRE LEAD

SWITCH	WIRE	LENGTH
SW1-1	WIRE, 24AWG AWM UL1015, ORANGE	300.0 [11.8 in]
SW1-2	WIRE, 24AWG AWM UL1015, WHITE	300.0 [11.8 in]
SW1-3	WIRE, 24AWG AWM UL1015, YELLOW	300.0 [11.8 in]
SW1-RED (+)	WIRE, 24AWG AWM UL1015, RED	300.0 [11.8 in]
SW1-GREEN (+)	WIRE, 24AWG AWM UL1015, GREEN	300.0 [11.8 in]
SW1-BLUE (+)	WIRE, 24AWG AWM UL1015, BLUE	300.0 [11.8 in]
SW1- (-)	WIRE, 24AWG AWM UL1015, BLACK	300.0 [11.8 in]

\*\* WIRE LEADS PROVIDED ARE DEPENDANT ON THE FUNCTION AND/OR ILLUMINATION SELECTED \*\*

