

A1024068

TOP-KNOBS 24

Suitable for rotary potentiometer with round shaft ends according to DIN 41591. Lateral screw fixing by hex-socket set screw (1.5 mm) and cup point.
 Max. tightening torque: 50 Ncm.

Supply

1 TOP-KNOB



TECHNICAL DATA

Material	PA 6	Diameter	24 mm
Colour	volcano	Height	16 mm
Standards	RoHS compliant, REACH compliant	Bore hole	6 mm

Please take the dimensions from current parts. These are subject to material- and manufacturing-specific tolerances.

PURCHASING DATA

Weight/1 part	6 g
Customs tariff number (OKW product)	84879090
Country of manufacture	Germany

CUSTOMISING OPTIONS

What else do you need to create your own personal product? We can supply our enclosures and tuning knobs fully modified to suit your electronic components and design requirements. Please advise for anything else we can do for you.

A1024068

TOP-KNOBS 24

Customising options for A1024068



Machining



Printing



Laser marking



Installation / Assembly
of accessories

A1024068

TOP-KNOBS 24

SYSTEM COMPONENTS TO COMPLETE



A1101003
Pin
PA 6 (UL 94 HB)
coral



A1101004
Pin
PA 6 (UL 94 HB)
beach



A1101005
Pin
PA 6 (UL 94 HB)
lagoon



A1101006
Pin
PA 6 (UL 94 HB)
sky



A1101007
Pin
PA 6 (UL 94 HB)
mineral



A1102004
Globe
PA 6 (UL 94 HB)
beach



A1102007
Globe
PA 6 (UL 94 HB)
mineral



A1103004
Disk
PA 6 (UL 94 HB)
beach



A1103007
Disk
PA 6 (UL 94 HB)
mineral



A1104003
Wing
PA 6 (UL 94 HB)
coral



A1105003
Arrow
PA 6 (UL 94 HB)
coral



A1105004
Arrow
PA 6 (UL 94 HB)
beach



A1105005
Arrow
PA 6 (UL 94 HB)
lagoon

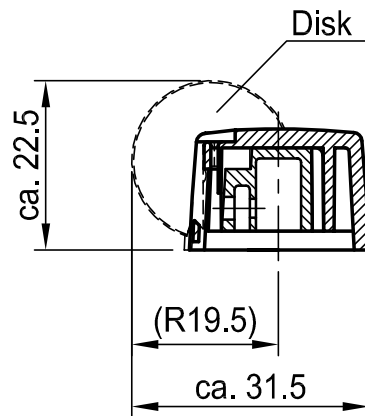
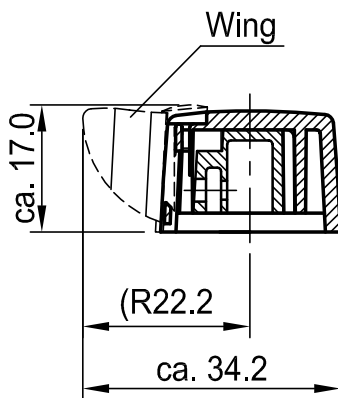
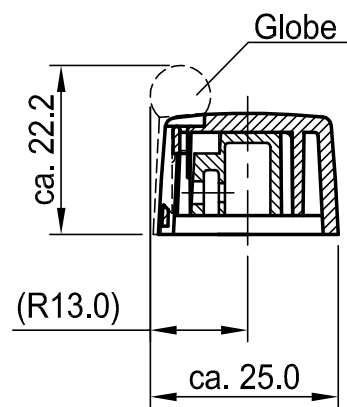
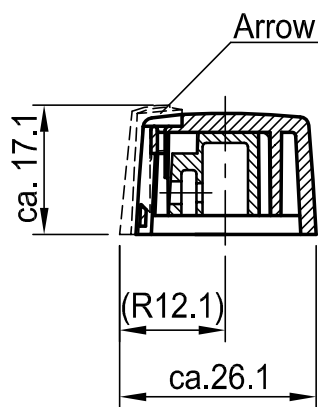
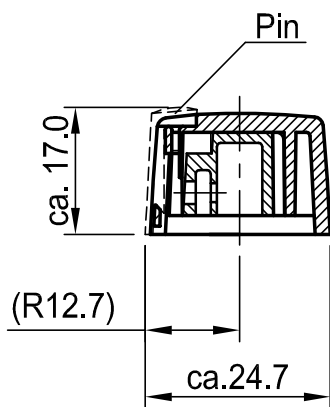
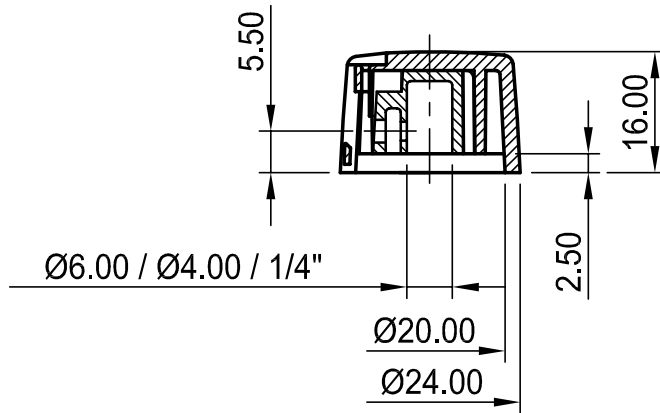


A1105006
Arrow
PA 6 (UL 94 HB)
sky



A1105007
Arrow
PA 6 (UL 94 HB)
mineral

Subject to technical modification without notice. © by OKW Gehäusesysteme, Buchen/Germany.



Informationskopie
Copy for Information
 will not be updated
 wird nicht aktualisiert

Technische Änderungen vorbehalten. Irrtümer und Druckfehler begründen keinen Anspruch auf Schadenersatz.
 Wichtige Einbaumaße bitte direkt mit dem aktuellen Produkt abstimmen.

Subject to technical modification without prior notice.
 Typographical and other errors do not justify any claim for damages. All dimensions should be verified using an actual moulded part.

Sous réserve de modifications techniques. Toute erreur ou faute d'impression ne justifie aucune demande d'indemnisation. Nous prions les clients de vérifier les dimensions des composants avec les boîtiers avant le montage.

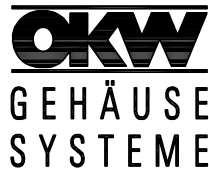
Bearb. am: 21.04.99

Ersteller: HASSELB

Freigabe:

Rev. Index: 3

Stand: 07.10.05



Material:

Farbe:

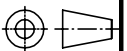
This document contains proprietary information of OKW Gehäusesysteme GmbH and is tendered subject to the conditions that the information be retained in confidence not be reproduced or copied and not be used or incorporated in any product.

TOPKNOB
Top-Knob Ø24
A1024...

Für dieses Dokument behalten wir uns alle Urheberrechte vor. Es darf auch auszugsweise weder vervielfältigt noch Dritten in irgendeiner Form zugänglich gemacht werden.

Toleranzen:
 DIN 16901 T130

Zeichnungsart:
 KUNDE



DIN 6 Teil 2

Maßstab:

1:1

Bearbeiter:
 Hasselb

Dateiname:
 00004178