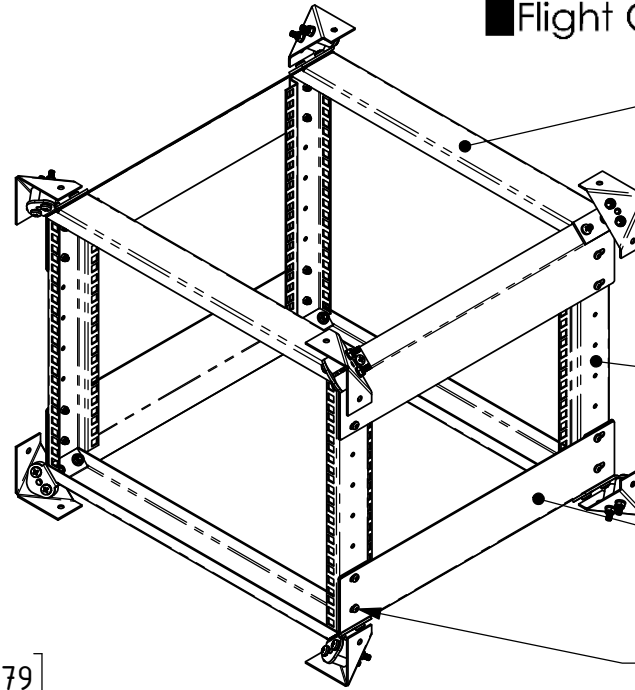
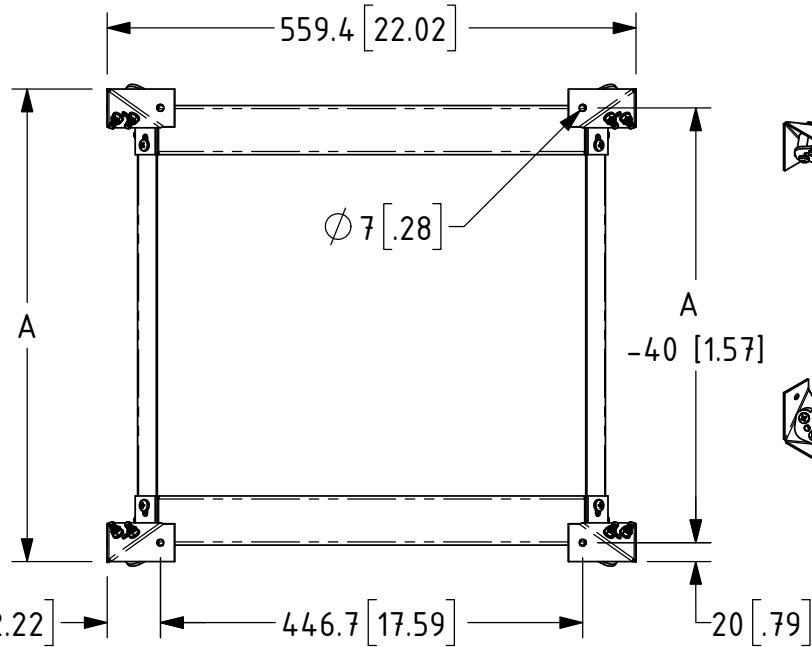


# R8800 ANTI-VIBRATION RACK SYSTEM



USE R8800-80 CROSSBAR FOR R0883 RACKSTRIP

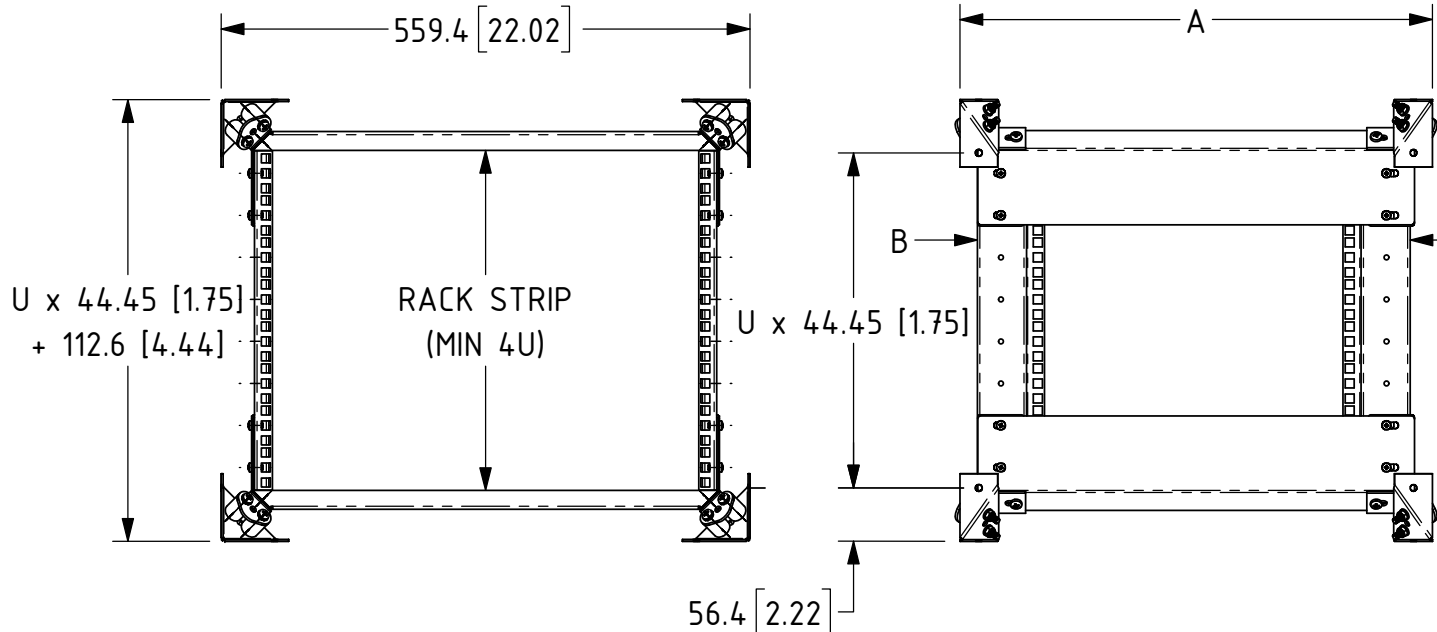
USE R8800-20 CROSSBAR FOR R0828 RACKSTRIP

R0863 OR R0828 RACKSTRIP  
MINIMUM 4U

R8820 SIDEBAR (SEE TABLE)

R8890 SCREW KIT FOR R0883 RACKSTRIP

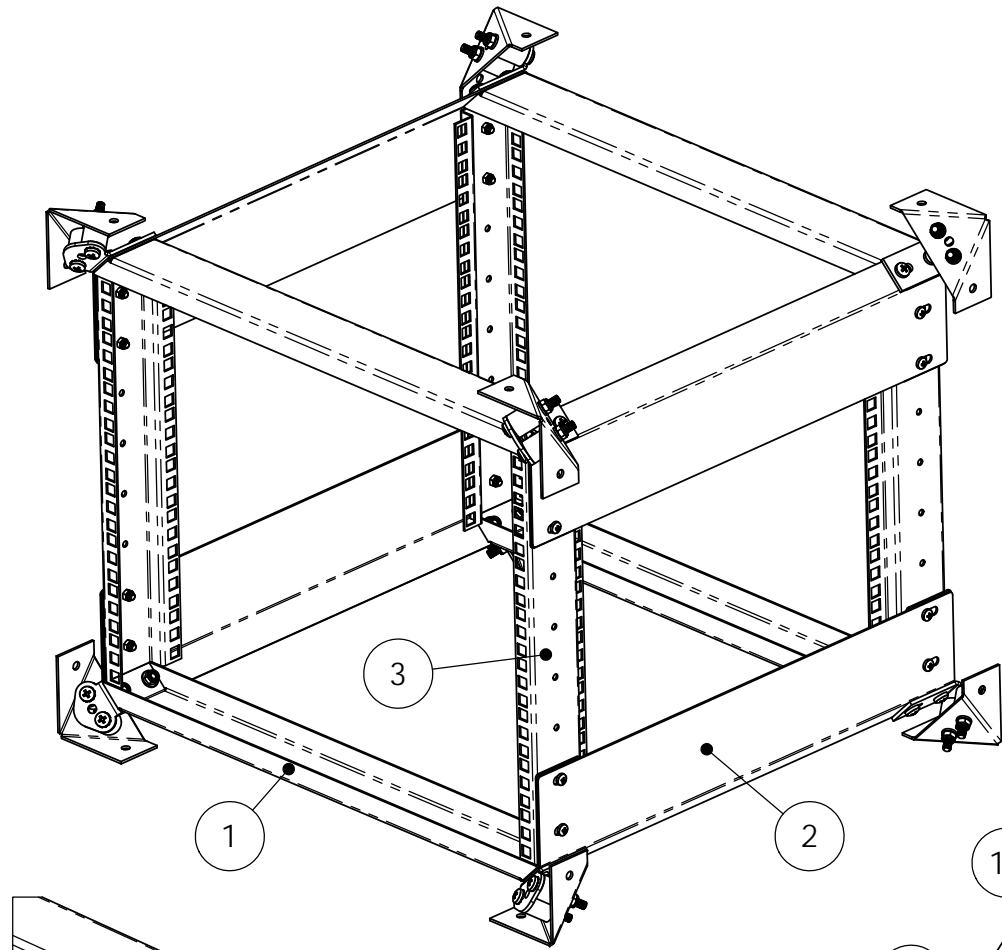
R8892 SCREW KIT FOR R0828 RACKSTRIP



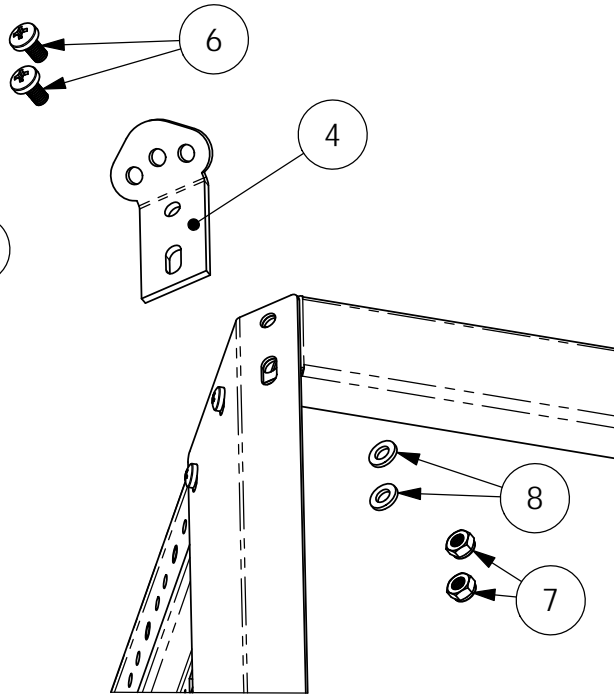
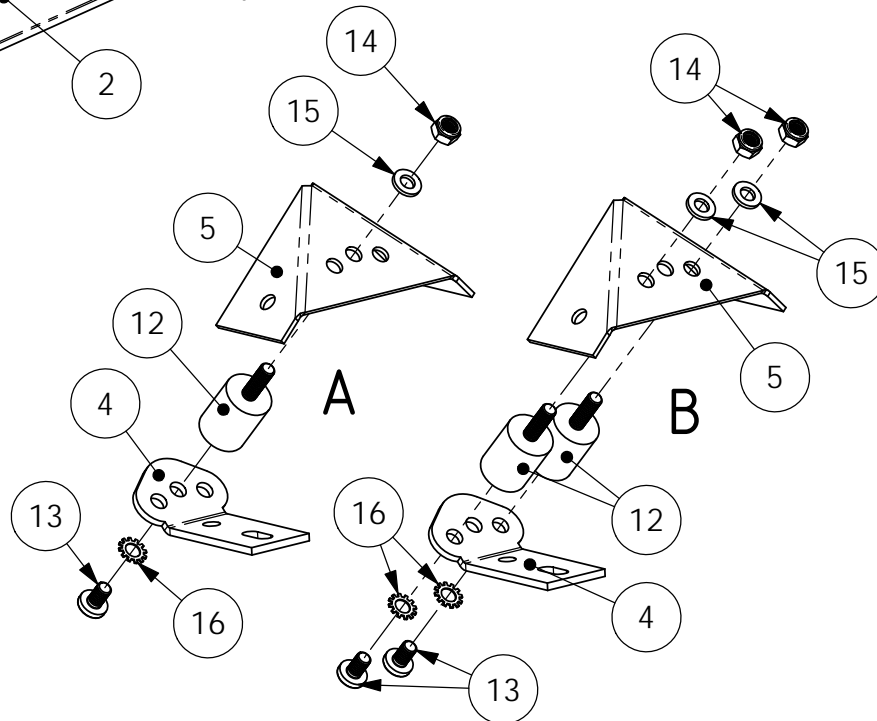
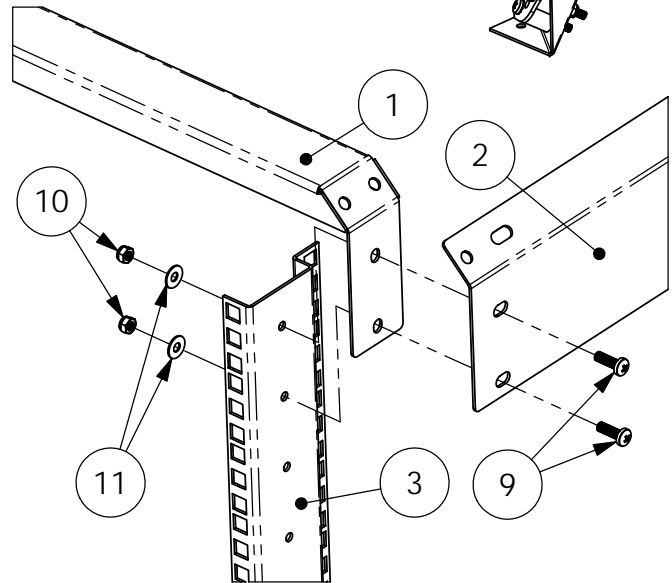
SIDE BAR	A	B
R8820-14	400/15.75"	362/14.25"
R8820-16	450/17.72"	412/16.22"
R8820-18	500/19.69"	462/18.19"
R8820-20	550/21.65"	512/20.16"
R8820-22	600/23.62"	562/22.13"
R8820-24	650/25.59"	612/24.09"
R8820-26	700/27.56"	662/26.06"
R8820-28	750/29.53"	712/28.03"
R8820-30	800/31.50"	762/30.00"
R8820-32	850/33.46"	812/31.97"

# R8800 SHOCK MOUNT SYSTEM - R0883 (METRIC VERSION)

No.	PART NUMBER	QTY.	
1	R8800-80	4	
3	R0883	4	
2	R8820 (14 to 32)	4	
4	R8851 Mounting Bracket	8	
5	R8856 Corner Support Bracket	8	
R8890 METRIC SCREW KIT			
6	M6 x 16 Screw	16	
7	M6 Nylock Nut	16	
8	M6 Washer	16	
9	M5 x 16 Screw	16	
10	M5 Nylock Nut	16	
11	M5 Washer	16	
R8860 Shock Mount kit*		1	2
12	Rubber Shock Mount	8	16
13	M6 Screw	8	16
14	M6 Nylock	8	16
15	M6 Washer	8	16
16	M6 Lock Washer	8	16

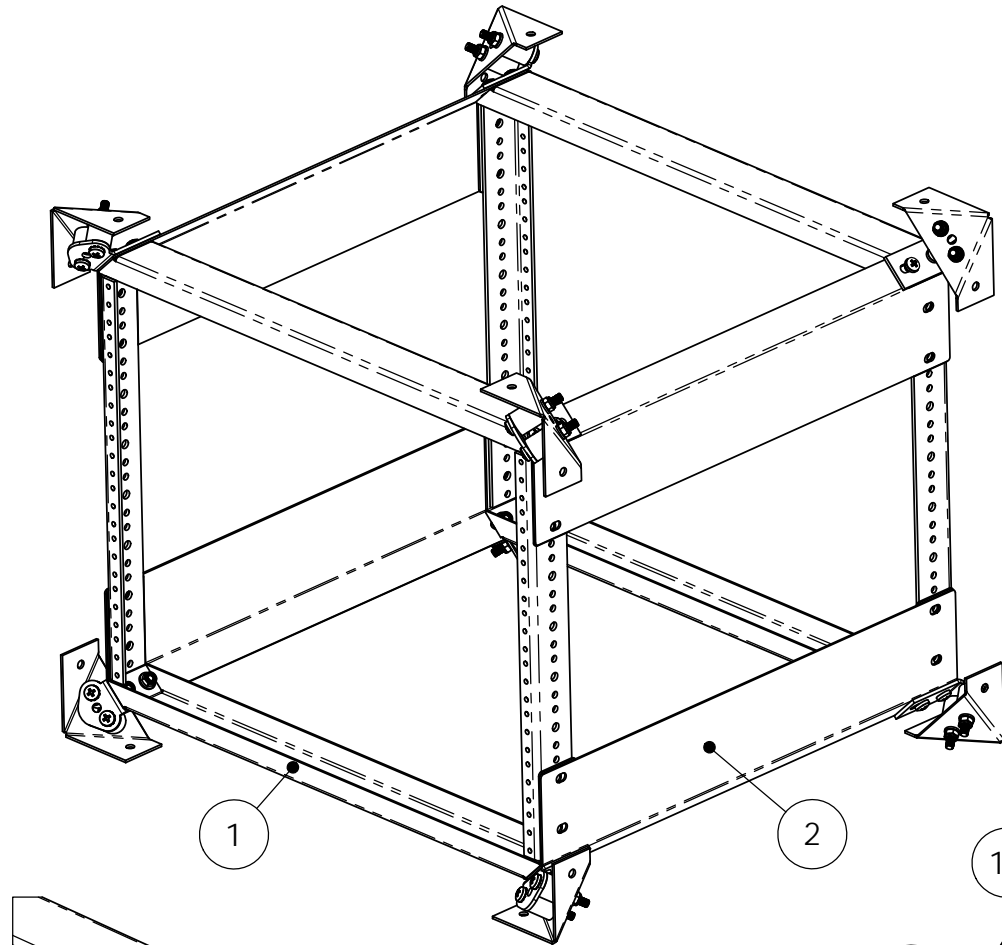


\* Option A 1 Shockmount or option B 2 Shockmounts for Double Load



# R8800 SHOCK MOUNT SYSTEM - R0828 (IMPERIAL VERSION)

No.	PART NUMBER	QTY.	
1	R8800-20	4	
3	R0828	4	
2	R8820 (14 to 32)	4	
4	R8851 Mounting Bracket	8	
5	R8856 Corner Support Bracket	8	
R8892 IMPERIAL SCREW KIT			
6	M6 x 16 Screw	32	
7	M6 Nylock Nut	32	
8	M6 Washer	32	
R8860 Shock Mount kit*		1	2
12	Rubber Shock Mount	8	16
13	M6 Screw	8	16
14	M6 Nylock	8	16
15	M6 Washer	8	16
16	M6 Lock Washer	8	16



\* Option A 1 Shockmount or option B 2 Shockmounts for Double Load

