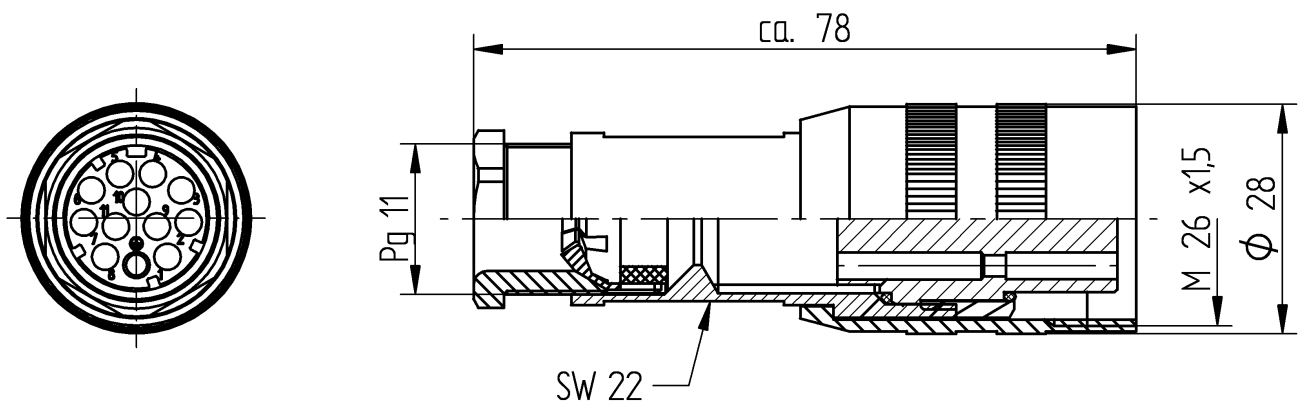
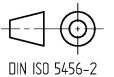


RoHS ✓



The information/details in this datasheet merely contain general descriptions or performance factors which, when applied in an actual situation, do not always correspond with the described form, and may be amended by way of the further development of products. The desired performance factors shall only be binding if these are expressly agreed on conclusion of the contract.



Product description

Description	Cable socket straight
Type	N11R EF
Order No	932-630-106
Type of contacts	female *
Number of contacts	11+PE
Cable gland	PG 11
Strain-relief	clamping cage
Conductor size	0,14 mm ² to 0,50 mm ² *
Standard	DIN EN 175201-804
Construction type	EF
Color housing	black

* crimp contact not part of delivery. see accessories

Technical data

Clearance / Creepage distance	DIN EN 60664-1 (2008/01); VDE 0110-1
Rated voltage	50 V AC / 60 V DC
Rated current *	5 A
Rated impulse voltage	1,5 kV
Pollution degree	3 acc. to DIN EN 60664-1 (VDE 0110-1)
Contact resistance	≤ 10 mOhm
Type of connection	crimp
Mating cycles	max. 50
Suitable cables	Ø8 mm to Ø10 mm
Mounting	locking nut M 26x1,5

* Notice derating

Materials

Contact	to order separate, see accessories
Contact bearer	PBT GF, grey
Housing	PBT GF, grey
Gasket(s)	SBR/NBR, cable gland NBR, O-ring
Coupling nut	AL
Cable gland screw	PA 6 GF, grey
Clamp cage	POM

Resistances

Housing	Hydraulic oil HM22 acc. EN ISO 6743-4
Gasket	Hydraulic oil HM22 acc. EN ISO 6743-4

Environmental conditions

Protection class (IEC 60529) *	IP65
Temperature range	-40°C to +90°C, notice derating

* only if mounted and locked in combination with Hirschmann / Lumberg connector.

Flammability class

Contact bearer	UL 94 V-0
Housing	UL 94 V-0
Cable gland screw	UL 94 HB

Accessories

Mating connectors	N11R AM..., appliance plug N11R AM 5..., appliance plug
-------------------	--

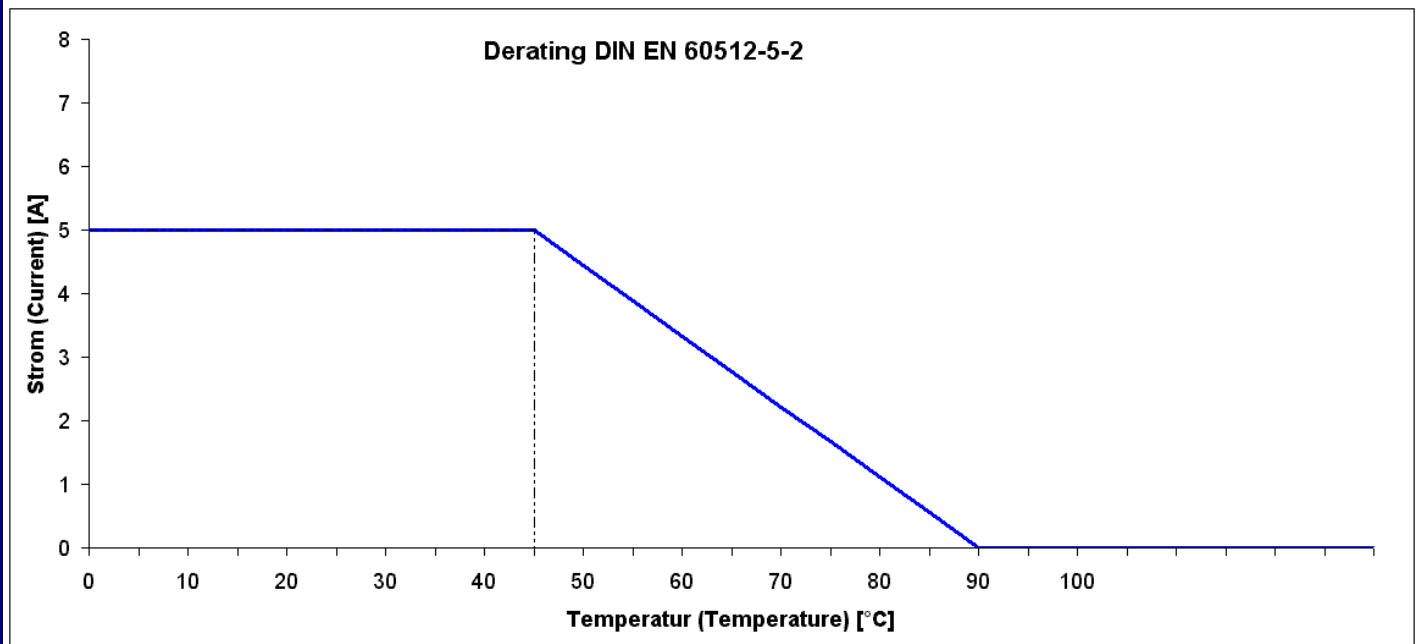
Accessories to order separately	733-383-021: RBC 162/1 Ag, crimp contact (single) 733-385-001: RBCB 162/1 Ag, crimp contact (on coil)
---------------------------------	--

Additional technical data

Fastening torque (coupling nut)	M26x1,5: (100-150) Ncm
Fastening torque (housing)	M22x0,75: (80-100) Ncm
Fastening torque (cable gland)	PG 11: (250-375) Ncm

Notes

Do not connect or disconnect under load.



product overview

Article-No.	Type
932-630-106	N11R EF