

## Omni-directional Electret Condenser Microphone with Leads



### DESCRIPTION

Omni-directional 6mm diameter microphone with leads.

### DISTINCTIVE FEATURES

- PCB mount with fitted leads
- 4mm diameter
- Frequency range 50~16000Hz
- Signal to noise ratio (F=1KHz 1Pa) A weighted >60dB
- Integrated capacitors for RF filtering

### APPLICATIONS

Suitable for Audio, consumer electronics & portable devices.

4mm  
Ø

Omni

Leads



## ELECTRICAL SPECIFICATION

Standard Operating Voltage	2V
Maximum Operating Voltage	10V
Maximum current consumption	0.5mA
Output impedance	2.2KΩ (F=1KHz 1Pa)
Frequency	50~16000Hz
Sensitivity	-44±3dB (F=1KHz, 0dB=1VPa)
Sensitivity reduction	-3dB (@1.5V-3.0V)
Signal to noise ratio	>60dB (F=1KHz 1Pa) A weighted
Electrets type	Foil Type
Internal Filtering Capacitors	C1 = 10pF, C2 = 33pF



## GENERAL SPECIFICATION

Type	Electret Condenser Microphone with Leads
Directivity	Omni-directional
RoHS Compliant	Yes



## MATERIALS

Material	Aluminium
----------	-----------



## ENVIRONMENTAL/OPERATING SPECIFICATION

Storage temperature	-20°C~+60°C
Operating temperature	-20°C~+60°C



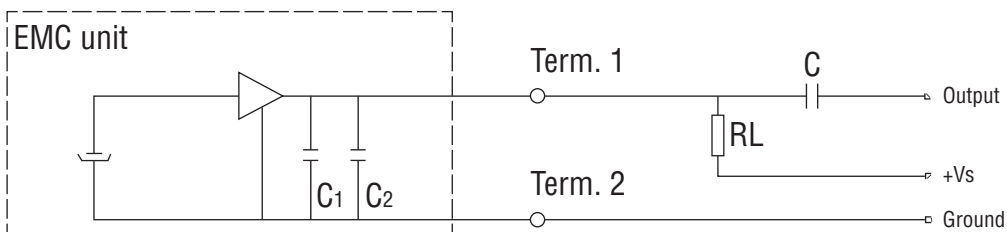
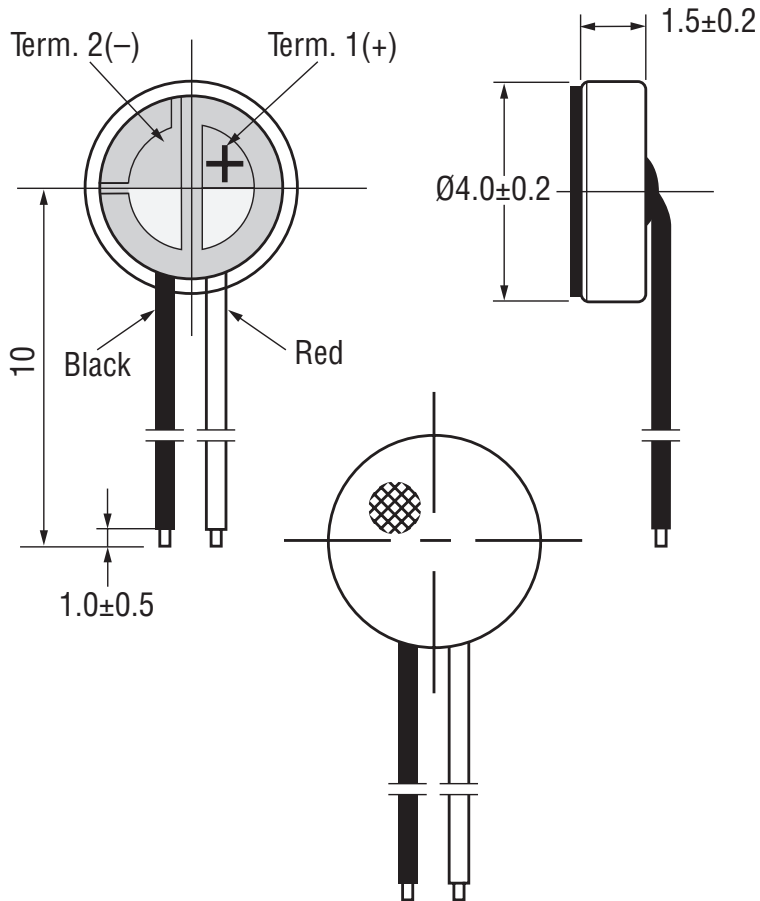
## TERMINALS

Termination	Leads
Wire type	UL1571 32AWG



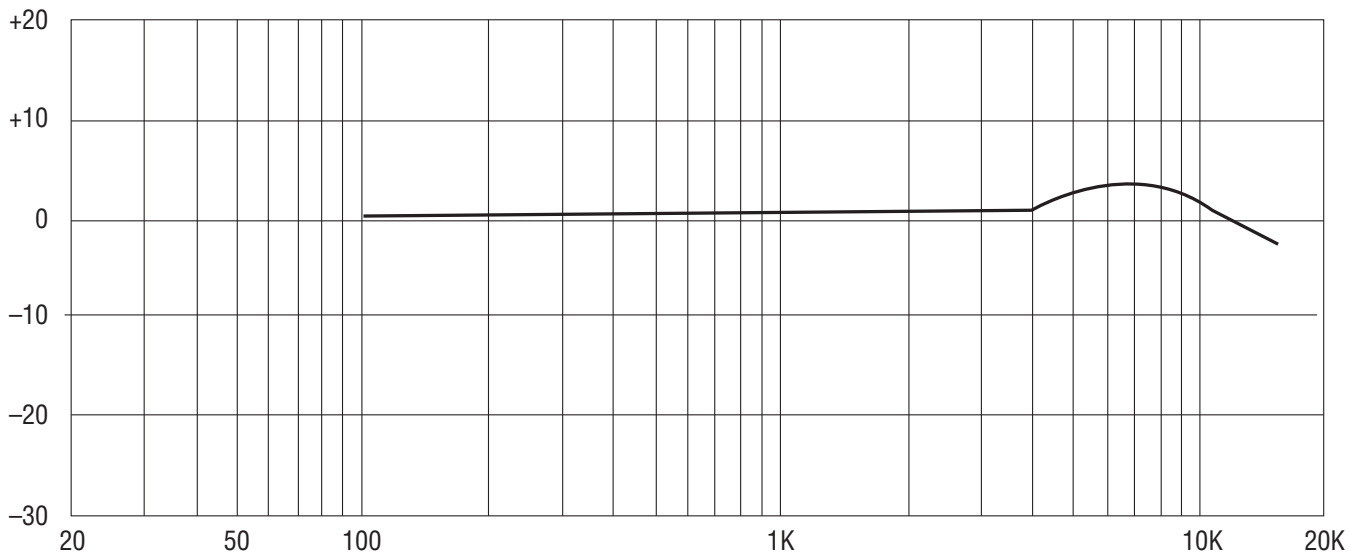
## DIMENSIONS/DRAWINGS

Units	mm - unless stated otherwise
Dimensions	$\text{Ø}4.0\pm0.2 \times 1.5\pm0.2\text{mm}$
Weight	1.814 grams



C1: 10PF  
C2: 33PF

### Typical Frequency Response Curve



### PART NUMBER TABLE

Part Number	UNSPSC	EAN	Country of Origin
<b>52-4625</b>	52161520	5053556008964	China

For further information on pricing, delivery, and long-term stock agreements please contact your local business development person, telephone our main office on **01206 838000** or email **Sales@Rapidonline.com**.



Tried & trusted technology

**Important Notice:** This data sheet and its contents (the "Information") belong to Rapid Electronics Limited or are licensed to it. No licence is granted for the use of it other than for information purposes in connection with the products to which it relates. No licence of any intellectual property rights is granted. The Information is subject to change without notice and replaces all data sheets previously supplied. The Information supplied is believed to be accurate but Rapid Electronics Limited assumes no responsibility for its accuracy or completeness, any error in or omission from it or for any use made of it. Users of this data sheet should check for themselves the Information and the suitability of the products for their purpose and not make any assumptions based on information included or omitted. Liability for loss or damage resulting from any reliance on the Information or use of it (including liability resulting from negligence or where Rapid Electronics Limited were aware of the possibility of such loss or damage arising) is excluded. This will not operate to limit or restrict Rapid Electronics Limited's liability for death or personal injury resulting from its negligence.