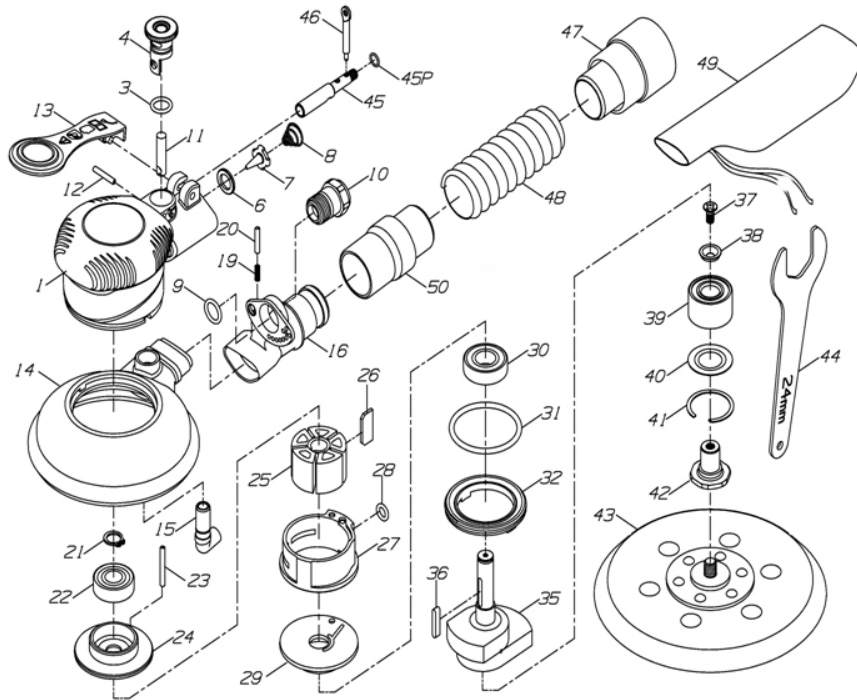




Parts Information:  
**Air Palm Orbital Sander Ø150mm Dust-Free**  
**Model No: SA801.V5**



Item	Part No.	Description
1	SA801.V5-01	HOUSING
3	SA800.V3-03	O-RING
4	SA801.V5-04	REGULATOR
6	SA800.V3-11	SPACER
7	SA800.V3-12	CONTROLLER
8	SA800.V3-13	SPRING
9	SA801.V5-09	O-RING
10	SA801.V4-09	O-RING
11	SA800.V3-07	VALVE STEM
12	SA800.V3-08	PIN
13	SA801.V5-13	LEVER
14	SA801.V5-14	COVER
15	SA801.V3-15	EXHAUST TUBE
16	SA801.V3-16	HOSE ADAPTOR
19	SA801.V3-19	SPRING
20	SA801.V3-20	PIN
21	SA800.V3-18	RETAINING RING
22	B/6000ZZ	BEARING 6000ZZ
23	SA801.V4-23	PIN
24	SA800.V3-20	REAR PLATE
25	SA800.V4-22	ROTOR
26	SA800.V4-23	ROTOR BLADE
27	SA800.V4-24	CYLINDER
28	SA800.V3-25	O-RING

Item	Part No.	Description
29	SA800.V3-26	FRONT PLATE
30	B/6001ZZ	BEARING 6001ZZ
31	SA800.V3-28	O-RING
31	SA800.V3-29	MOTOR COVER
35	SA801.V5-35	ROTOR SHAFT
36	SA800.V3-41	KEY
37	MSC58.S	CSK PHILLIPS MACHINE SCREW M5x8mm(SINGLE)
38	SA800.V4-45	DISHED WASHER
39	B/5001-2RS	BEARING 5001-2RS (DOUBLE ROW)
40	SA800.V3-35	WASHER M16 THIN
41	SA800.V3-36	RETAINING RING
42	SA800.V4-37	DRIVE SPINDLE
43	SA801.V5-43	6" VELCRO PAD (NLA)
--	AK289	UNIVERSAL DUST-FREE STICK-ON DA BACKING (NOT SHOWN)
--	AK290	UNIVERSAL DUST-FREE HOOK&LOOP (NOT SHOWN)
44	SA800.V3-40	WRENCH
45	SA801.V3-45	EXHAUST VALVE
45P	SA801.V3-45P	O-RING
46	SA801.V3-46	EXHAUST KEY
	SA801.V3-47	EXHAUST HOSE ASSY, (INC PARTS 47,48,50)
49	SA801.V3-49	BAG

**NOTE:** It is our policy to continually improve products and as such we reserve the right to alter data, specifications and component parts without prior notice.

**IMPORTANT:** No liability is accepted for incorrect use of product.

**WARRANTY:** Guarantee is 12 months from purchase date, proof of which will be required for any claim.

Sealey Group, Kempson Way, Suffolk Business Park, Bury St Edmunds, Suffolk. IP32 7AR



01284 757500



01284 703534



sales@sealey.co.uk



www.sealey.co.uk