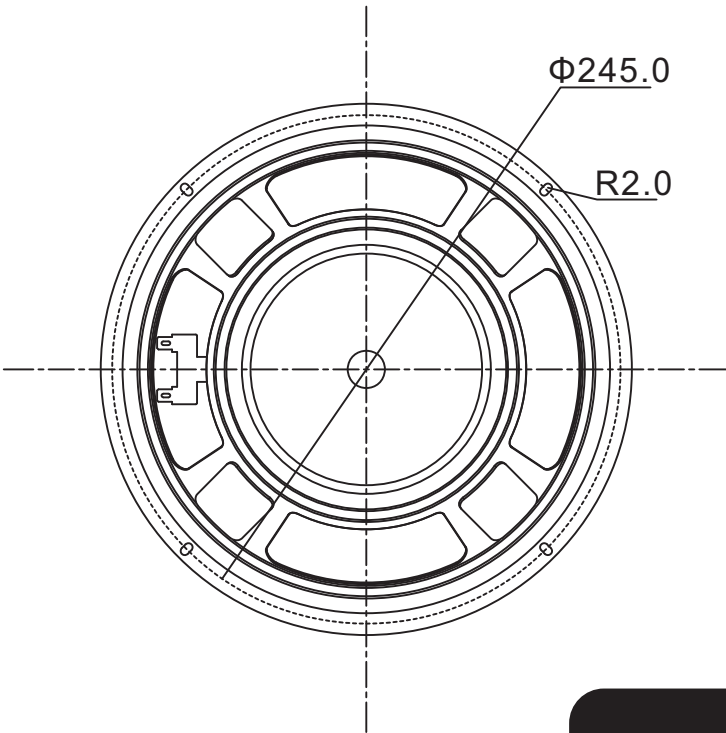
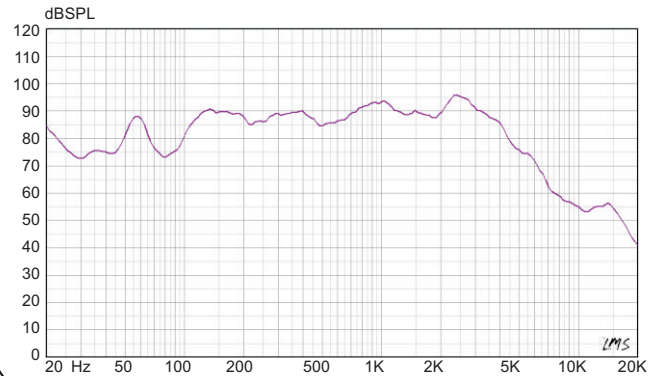


**PARAMETERS**

Impedance	8 Ohm
Re	7.6 ohms
Le	1.12 mH
Fs	39Hz
Qms	2.56
Qes	1.28
Qts	0.85
Mms	67.20g
Cms	0.25mm/N
Sd	346.36cm <sup>2</sup>
BL	9.89Tm
Vas	42.10 liters
Xmax	3 mm
VC diameter	1.5"
SPL	84.8dB
RMS power	80Watts
Frequency Response	39 to 4,000Hz



**SPL vs Freq**



**Impedance vs Freq**

