

Handwheels • DIN 950 cast iron

24580.0150

Product Description

Hub machined; rim turned and mirror-finished on all sides, non-machined surfaces cleanly blasted.



Material

Handwheel
• Cast iron GG

Assembly

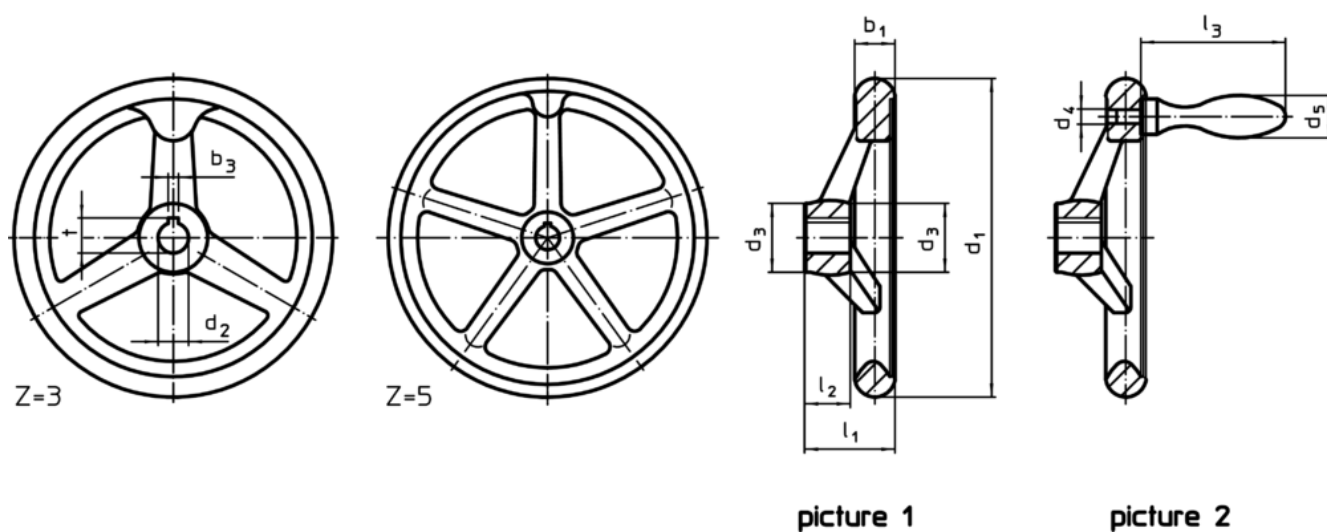
Shaft-end washers EH 22270. for axial fastening.

More information

Further products

- Shaft-End Washers
- Rotating Machine Handles, DIN 98

Drawing



The orientation of the hub keyway may be different than shown in the drawing.

Order information

d_1	Dimensions				Hub keyway, DIN 6885 sheet 1		Number of spokes z	[kg]	Art. No.
	d_2 H7	d_3	l_1	l_2	b_3	t			
with keyway, without handle, form N-F/A (formerly: A 3) – picture 1									
400	30	65	63	38	8	33.3	5	10.7	24580.0150

Application example



Compliance

RoHS compliant

Compliant according to Directive 2011/65/EU and Directive 2015/863

Does not contain SVHC substances

No SVHC substances with more than 0.1% w/w contained - SVHC list [REACH] as of 10.06.2022

Does not contain Proposition 65 substances

No Proposition 65 substances included

<https://www.P65Warnings.ca.gov/>

Free from Conflict Minerals

This product does not contain any substances designated as "conflict minerals" such as tantalum, tin, gold or tungsten from the Democratic Republic of Congo or adjacent countries.